

**Read the manual and check the parts for completeness before assembly!**

Images are illustrative and may differ from reality, the construction principle is the same.



# USER MANUAL OF THE SAUNA

1. It is recommended to install the sauna above ground level to prevent the legs of the sauna from coming into direct contact with the ground. Install a water-resistant material, such as bitumen strips, between the legs of the sauna and the base.
2. Make sure that the surface on which you install the sauna is leveled and stable both before and after installing the sauna. Otherwise, the doors of the sauna may not open and close properly.
3. If the top part of the chimney has not been installed upon delivery of the sauna, it should be placed into the chimney pipe from the roof of the sauna.
4. During the first heating of the sauna, it must be constantly supervised and the doors should be kept open, as the stove emits a specific smell when first heated. Read more from the user manual of the sauna stove.
5. The maximum permitted temperature of the steam room is +90 °C. If heated to a higher temperature, the sauna may be overheated.
6. After each use of the sauna, it is recommended to keep the stove warm, the doors open, and the footrests up for a while to allow the sauna to dry from the inside. If necessary, the water on the floor should be directed to the drain with a floor scraper to avoid damage caused by excess humidity.
7. **When the weather is humid and if the wood has expanded, the metal hoops around the sauna should be loosened to avoid breaking the clamps and jamming the doors.** The hoops can be adjusted from the nut of clamp M12 located on the side of the sauna. To alleviate excess tension on the clamp and the hoop itself, loosen nut M12 (wrench no. 19) until the hoop can be shifted left and right. Then, re-tighten the nut until the hoop is under slight pressure and pressed fully against the wood so that it cannot be pulled away from the walls of the sauna. **When the weather is less humid and the wood has dried, the metal hoops around the sauna should be tightened from nut M12.** Tighten the nut so the hoop is under slight pressure. The hoop must be pressed fully against the wood so that it cannot be pulled away from the walls of the sauna. **LEIL SAUNAS is not liable for damage caused to the sauna due to a broken hoop clamp.**
8. If the door is shifted out of place when the hoops are tightened, lift the exterior door off the hinges and regulate the hinges. If this is not a sufficient solution, remove the trims of the door and unscrew the screws of the doorframe beneath them. This will relieve the pressure on the door. If necessary, the opening of the door may be made wider, after which the screws should be re-tightened and the trims and door reinstalled.
9. The interior door should be regulated from the stopper and, if necessary, the hinges. If this is not a sufficient solution, remove the trims of the door and unscrew the screws of the doorframe beneath them. This will relieve the pressure on the door.
10. Locking the sauna door from the inside is prohibited.
11. In order to avoid damage caused by the weight of snow, any snow should be removed from the roof of the sauna. Keep in mind that the roof covering should not be damaged during snow removal.
12. If your sauna has lighting, install a 3G 2,5 mm<sup>2</sup> outdoor power cable and connect it in junction box provided with the sauna (L1 – brown , N – blue , GR – green-yellow). The power cable of the sauna must be connected to a residual-current circuit breaker! Consult an electrician if necessary.

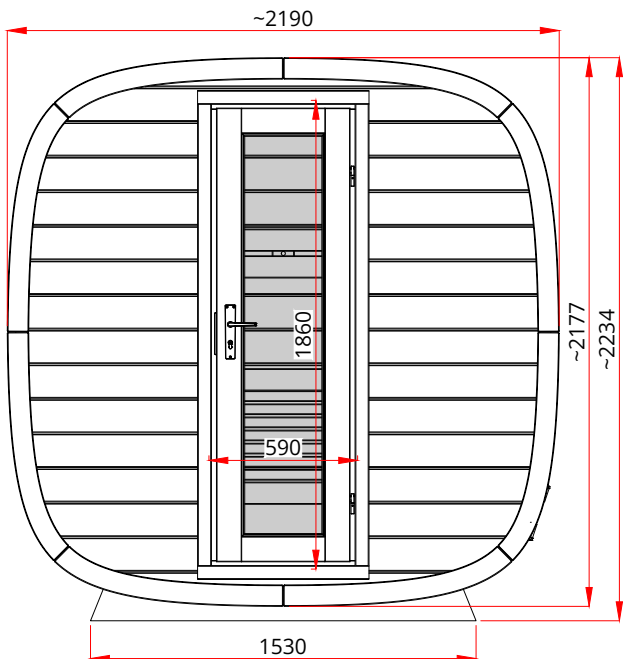
# Maintenance of the sauna

1. **The interior surfaces of the sauna, the window frames of the steam and washing room, and the frames of interior doors must be treated with a special substance before initial use to protect them from humidity and dirt and extend the useful life of the sauna.** Later, this should be done once or twice a year. TEKNOS Satu Saunasuoja or Tikkurila Supi Saunasuoja may be used for this.
2. **Before initial use of the sauna, the benches and footrests must be treated with a protective oil to extend their useful life.** Later, this should be done once or twice a year. TEKNOS Satu Laudesuoja or Tikkurila Supi Laudesuoja or something similar high-temperature resistant interior wood varnish may be used for this.
3. **The exterior surfaces of the sauna are given the first protective coating during production (DIY saunas are not treated). The second coating should be applied approximately two months after purchasing the sauna to extend its useful life and maintain its appearance.** Remmers Aidol HK-Lasur or something similar weather-resistant exterior wood varnish may be used for this.
4. **LEIL SAUNAS is not liable for damage caused to the sauna due to insufficient maintenance or no maintenance at all.**

# WARRANTY

- The products have a 24-month warranty covering material and production defects, taking effect from the delivery of the sauna to the client.
- The warranty is valid if the user has reviewed the user manuals and abides by them.
- Please note! The warranty period differs for products on trailers and products intended for commercial use.
- The warranty does not cover defects characteristic of wood, such as discoloration, changes, issues, or cracks caused by alternating or excess humidity, etc.
- The warranty does not cover cracking of the bitumen sealant between the roof covering and the end arches due to drying of the wooden material. If the sealant cracks, the old sealant must be replaced with a new one (ROOF REPAIR SEALANT SOUDAL ROOF REPAIR 310 or similar).
- The warranty does not cover normal wear and tear of the product caused by its use and damage caused by incorrect installation or use is not compensated.
- The warranty does not cover damage caused by thunder or other weather phenomena.
- The warranty does not cover damage caused by incorrect installation by the client.
- The warranty expires when attempts are made to independently change or fix the product or if it is not used for its intended purpose.
- The warranty is void if the product is stored in an incorrect position or in the wrong conditions.
- The warranty is valid if the buyer informs the seller of the defect within a reasonable time (7 days).

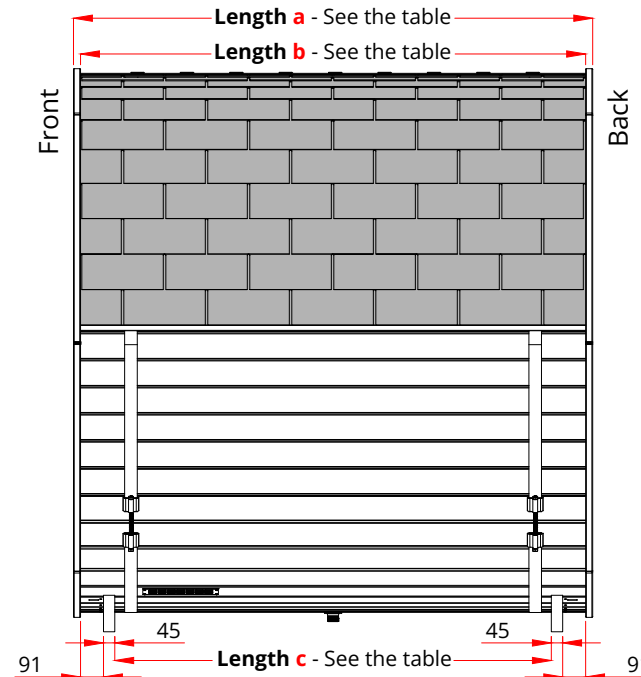




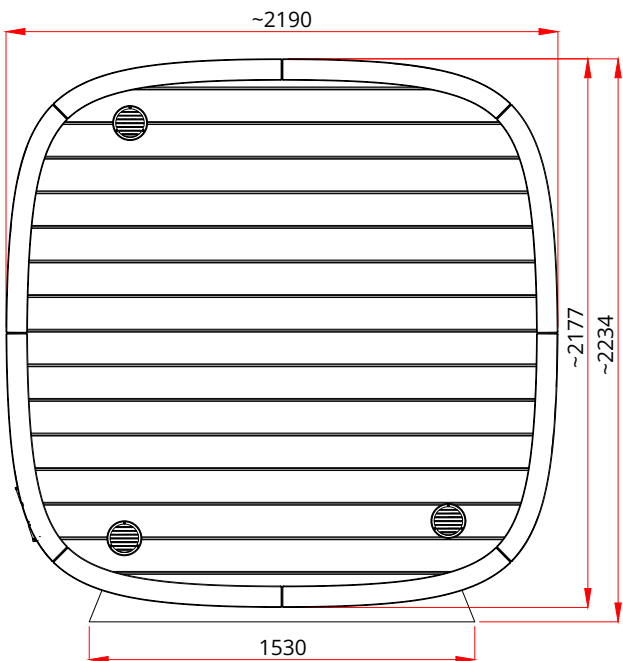
Front view (wooden wall)



Front view (glass wall)



Side view



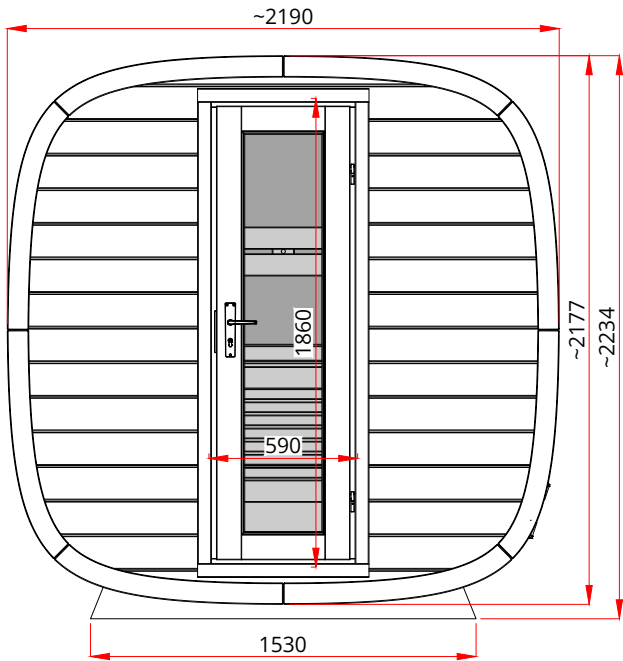
Back view

Dice Sauna	Length - a	Length - b	Length - c
SOLO	~2060 mm	~2004 mm	~1732 mm
POCKET	~1660 mm	~1604 mm	~1332 mm

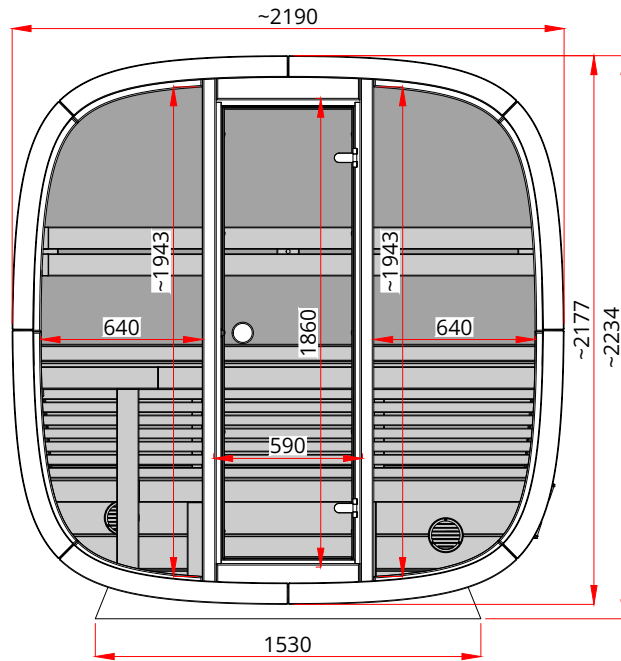
# Dice Sauna

SOLO and POCKET

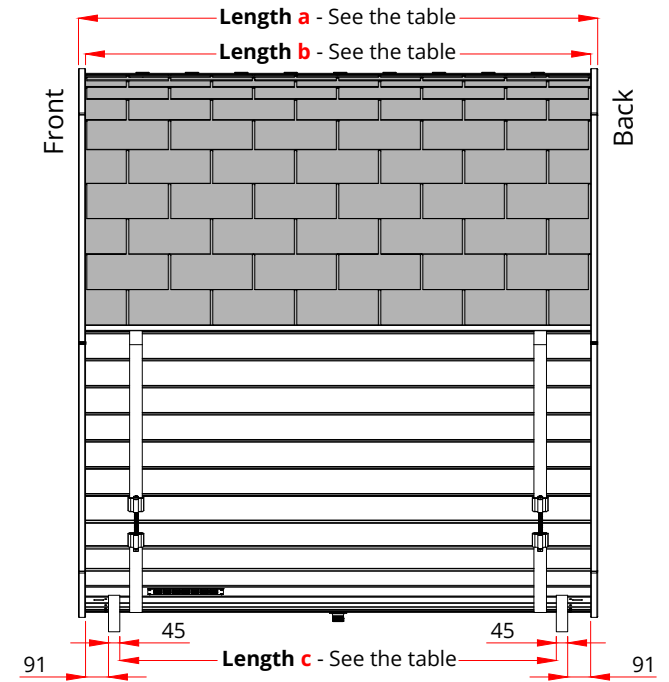
Scale 1 : 30



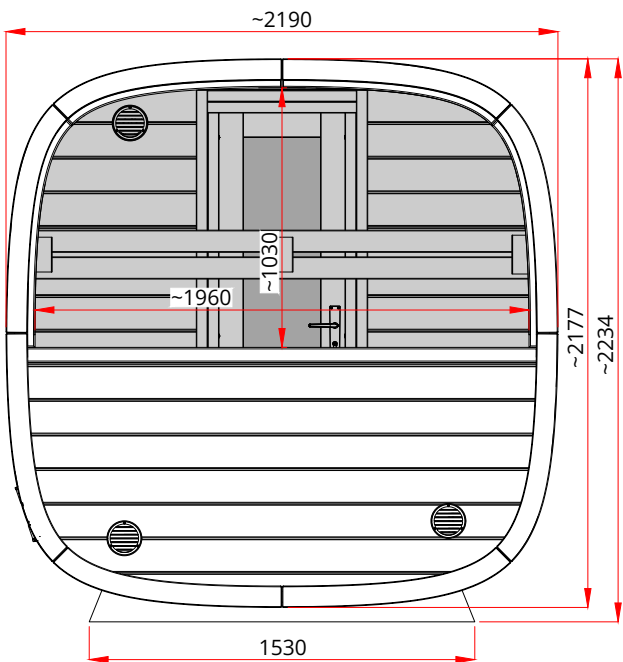
Front view (wooden wall)



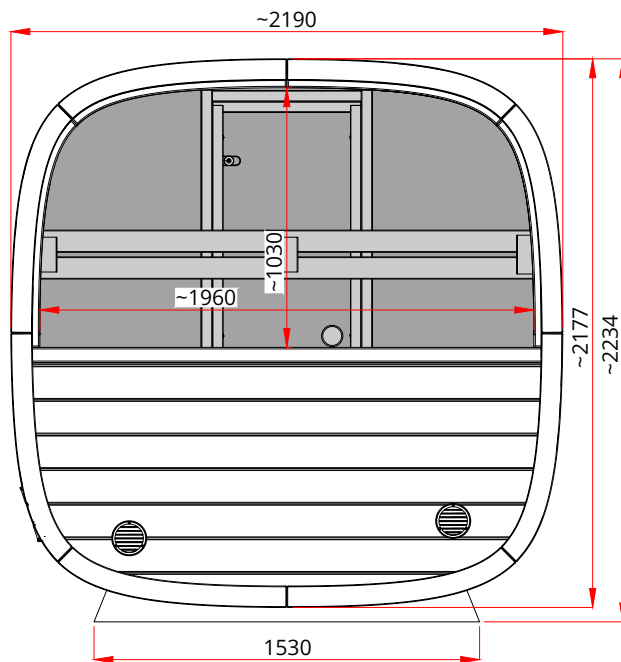
Front view (glass wall)



Side view



Back view

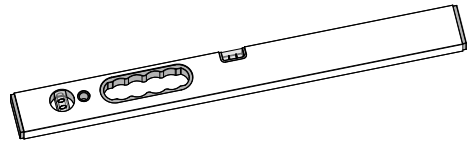


Back view

Dice Sauna	Length - a	Length - b	Length - c
SOLO	~2060 mm	~2004 mm	~1732 mm
POCKET	~1660 mm	~1604 mm	~1332 mm

Dice Sauna  
 SOLO and POCKET with Panorama  
 Scale 1 : 30

## Tools needed for sauna construction:



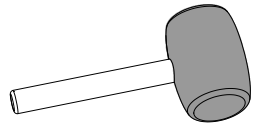
- Spirit level /  
Laser level



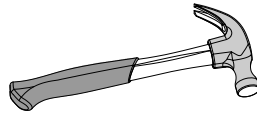
- Tape measure /  
folding rule



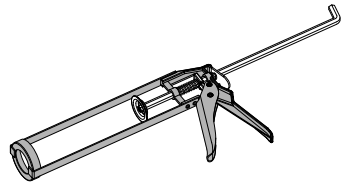
- Marking tool - pencil  
(do not use a marker pen)



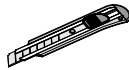
- Rubber hammer



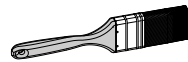
- Hammer



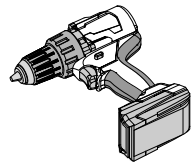
- Sealant gun



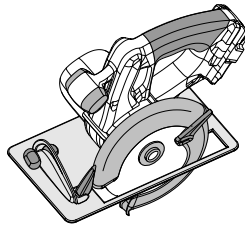
- Utility knife



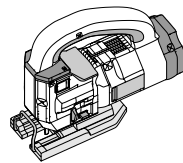
- Paintbrush



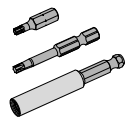
- Cordless drill(s)



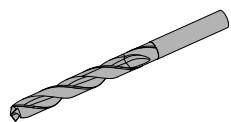
- Circular saw



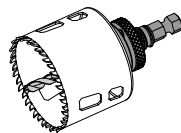
- Jigsaw / hand saw



- Screwdriver bits



- drill bits (Ø3mm;  
Ø4mm and Ø10-12mm)



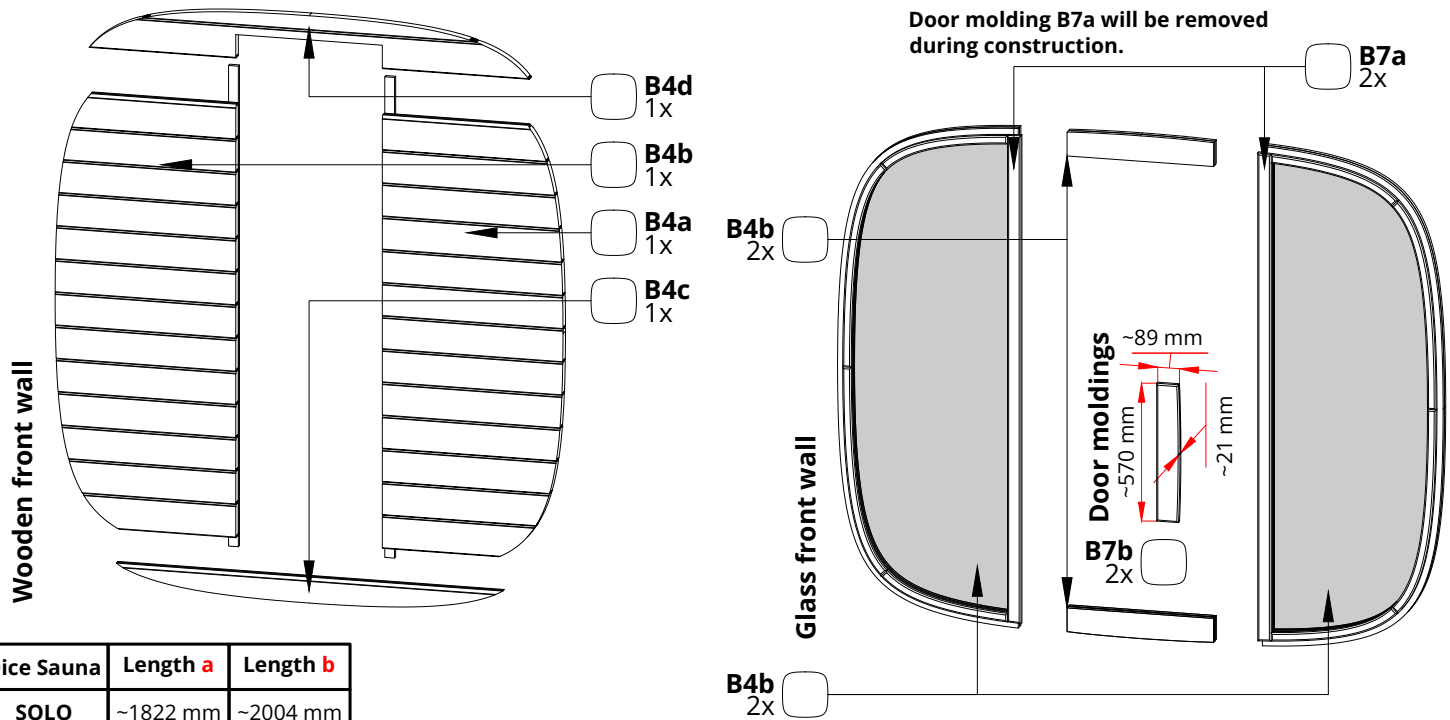
- hole saw (Ø68mm and Ø44mm)  
*for cutting a hole for the drain pipe (only necessary  
if there is no hole in the s center board!)*

## Additional materials required, if not ordered or included:

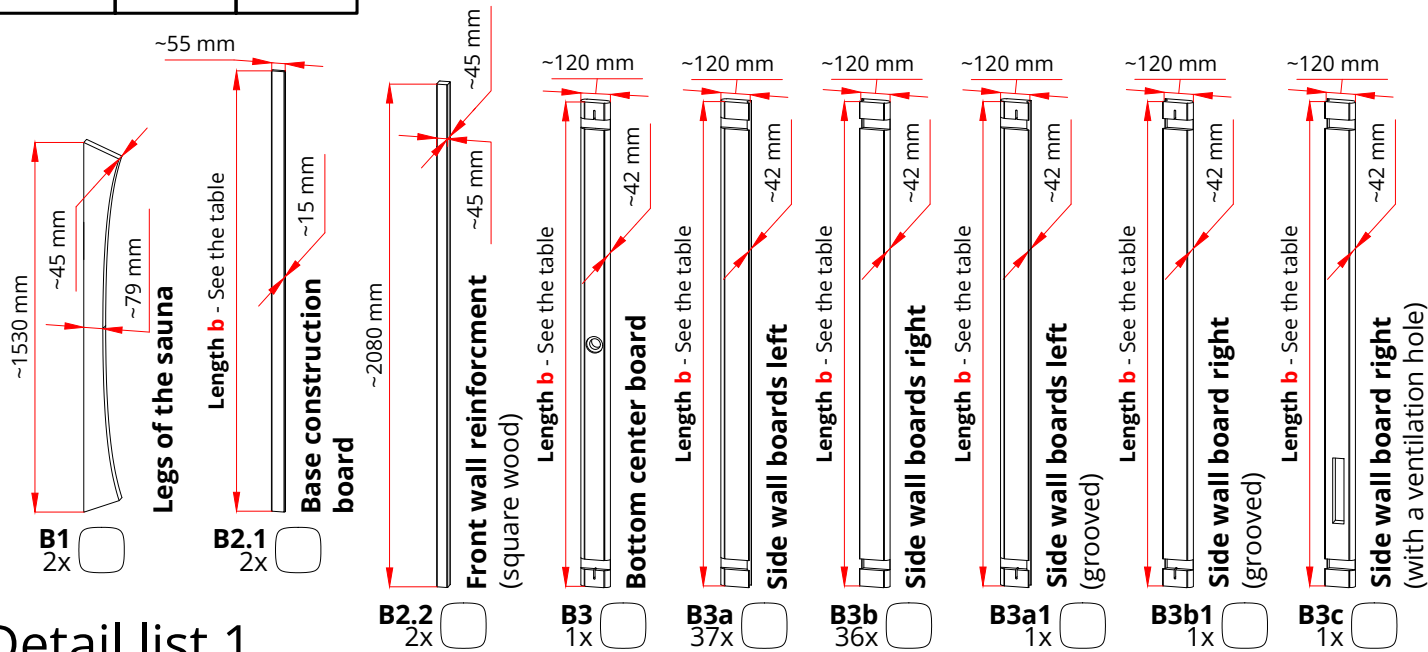
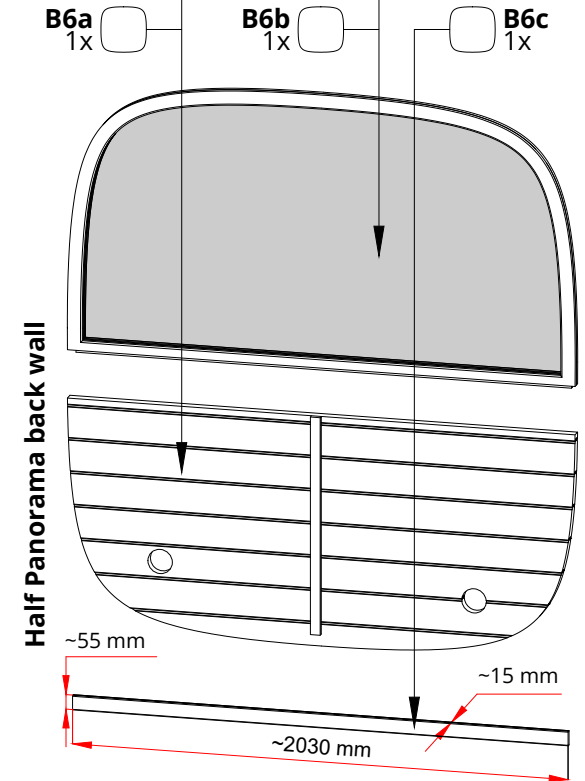
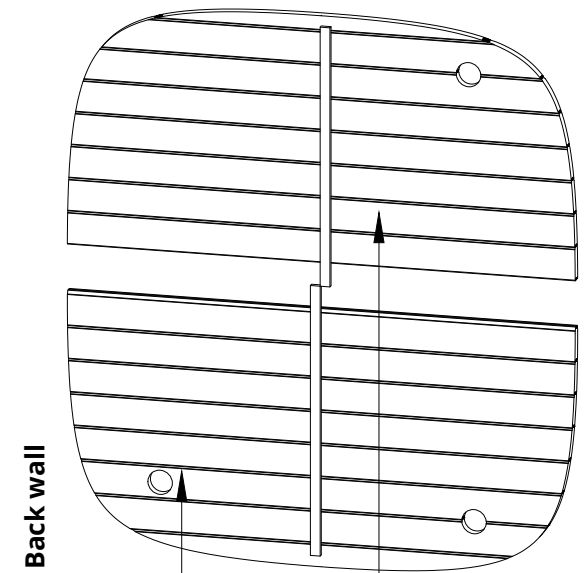


- Wood glue /  
assembly adhesive

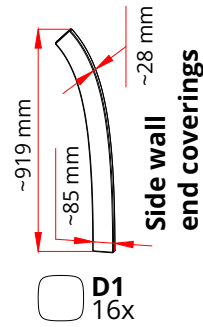
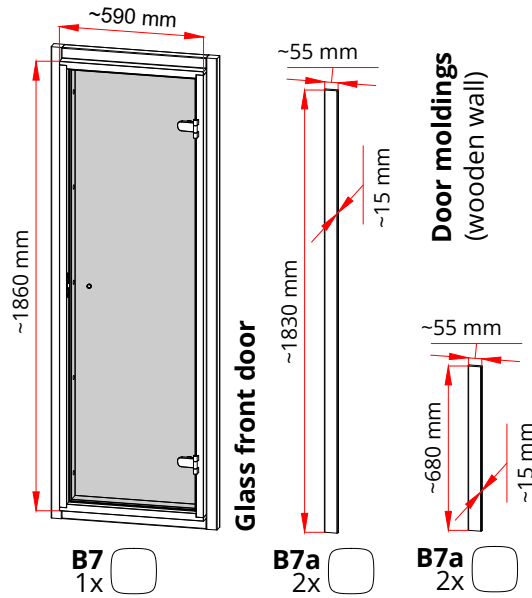
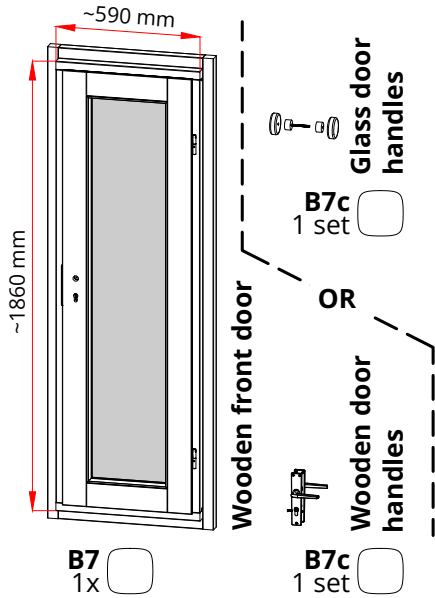




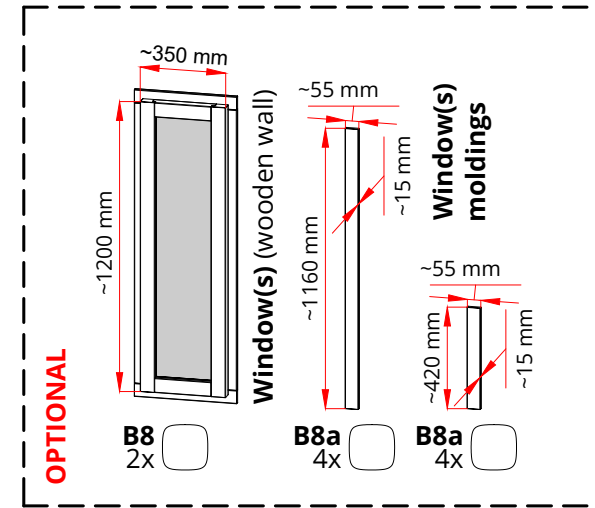
Dice Sauna	Length a	Length b
SOLO	~1822 mm	~2004 mm
POCKET	~1422 mm	~1604 mm



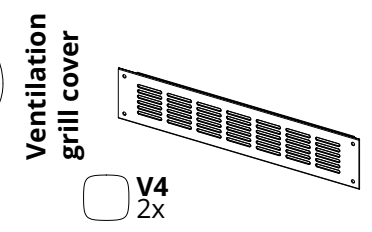
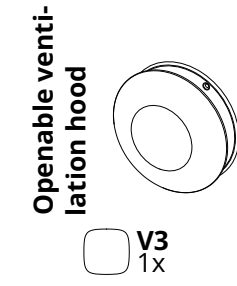
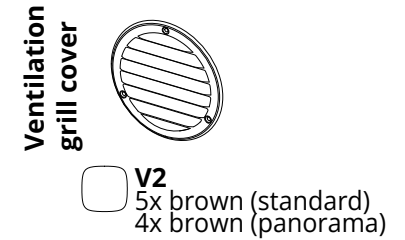
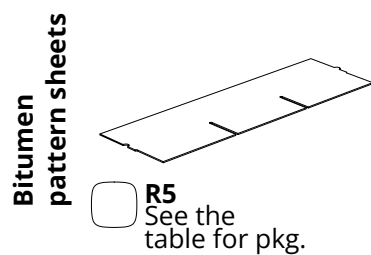
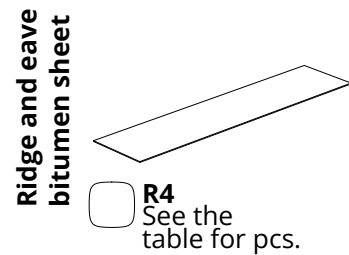
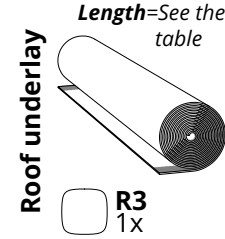
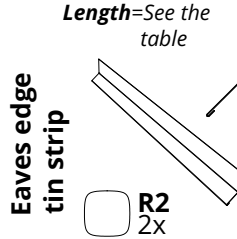
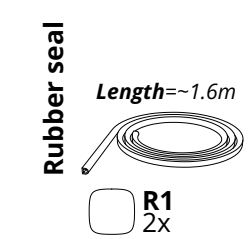
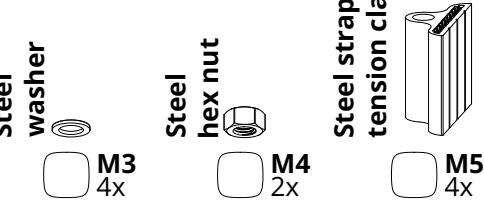
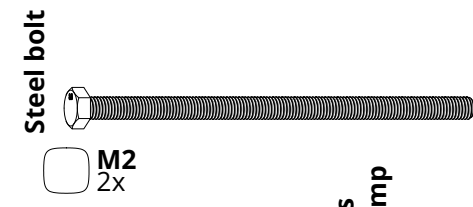
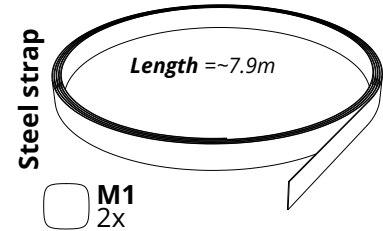
### Detail list 1



- Varnish (INARIJÄRVI) C1 1x
- Varnish (HELO AQUA 40) C2 1x
- Paint (Pine) (Remmer HK Lasur) C3 1x
- Bitumen silicone C5 2x





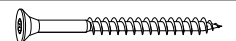
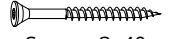
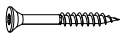
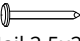


Dice Sauna	R2 Length	R3 Length	R4	R5
SOLO	~2000 mm	~2100 mm	8	3
POCKET	~1600 mm	~1700 mm	6	2.5






## Detail list 2

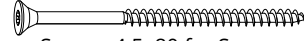


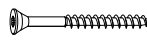
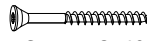
**Fasteners for the main construction of the sauna:**

Name in manual	Nails and screws / Screw size (Scale 1:2)	Quantity
S7	 Screws 4,5x80 for Spruce	50
	 Screws 4,2x75 for Thermo	
S6.1	 Screws 4,2x75	50
S5	 Screws 4,5x60 for Spruce	150
	 Screws 4,2x55 for Thermo	
S2	 Screws 3x40	15
S1	 Screws 3x30	50
R6	 Nail 2,5x20	0.5kg

**Fasteners for sauna door(s):**


Name in manual	Nails and screws / Screw size (Scale 1:2)	Quantity
S6.2	 Screws 4,2x75	20
S3.2	 Screws 4,5x50 (Nano coating)	20
P	 Hole plug	20

**(OPTIONAL) Fasteners for sauna window(s):**

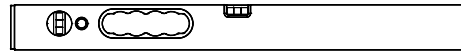
Name in manual	Nails and screws / Screw size (Scale 1:2)	Quantity
S7	 Screws 4,5x80 for Spruce	40
	 Screws 4,2x75 for Thermo	
S6.2	 Screws 4,2x75	10
S3.2	 Screws 4,5x50 (Nano coating)	30
S2	 Screws 3x40	30

# Detail list 3

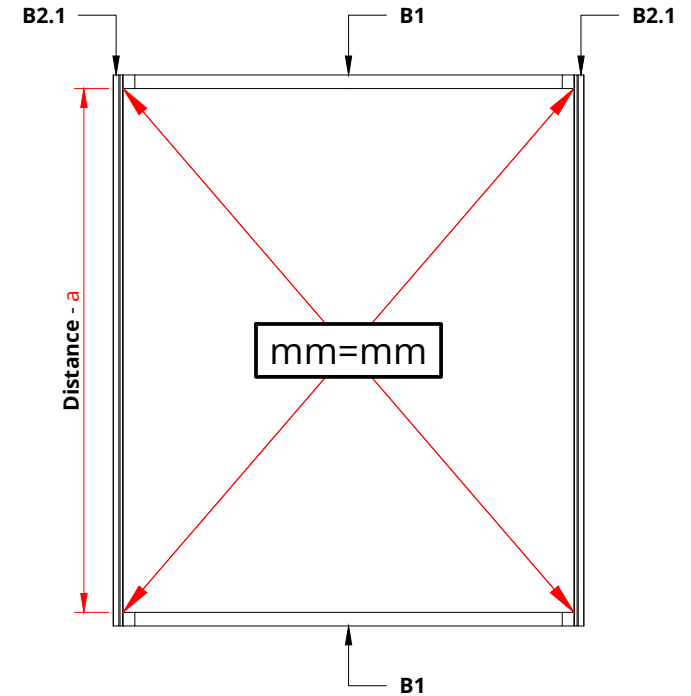
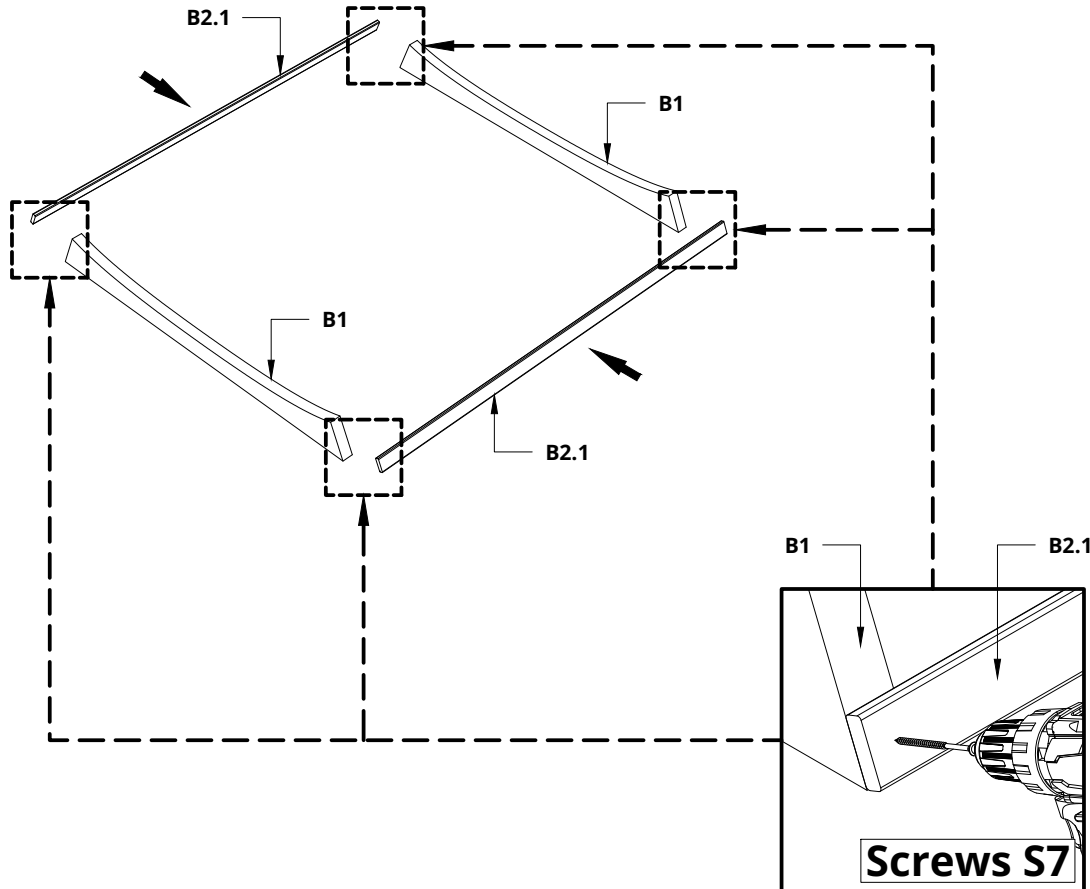


S7	Screws 4,5x80 for Spruce Screws 4,2x75 for Thermo	4
		


NB! use a level



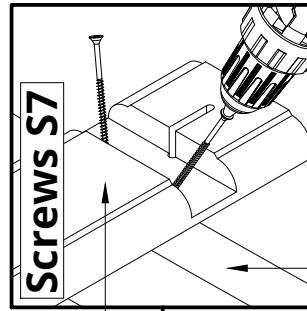
The base of the sauna must be level!



Dice Sauna	Distance - a
SOLO	~1732 mm
POCKET	~1332 mm

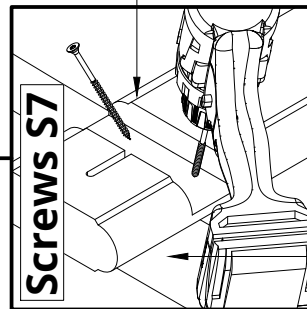
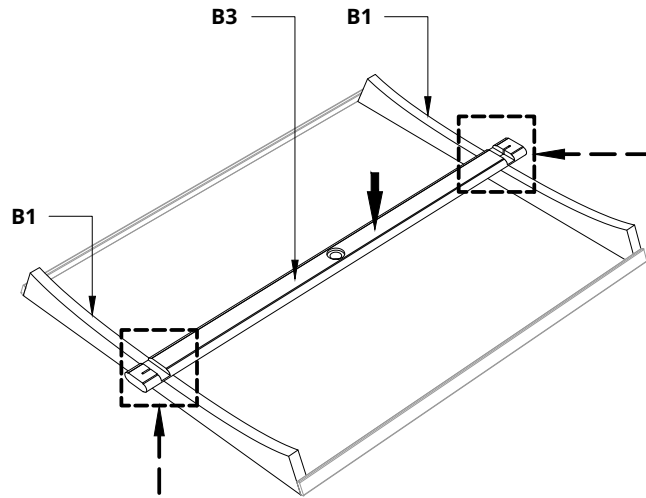
S7	Screws 4,5x80 for Spruce Screws 4,2x75 for Thermo	4
		

**Please countersink the screw head(s)!**



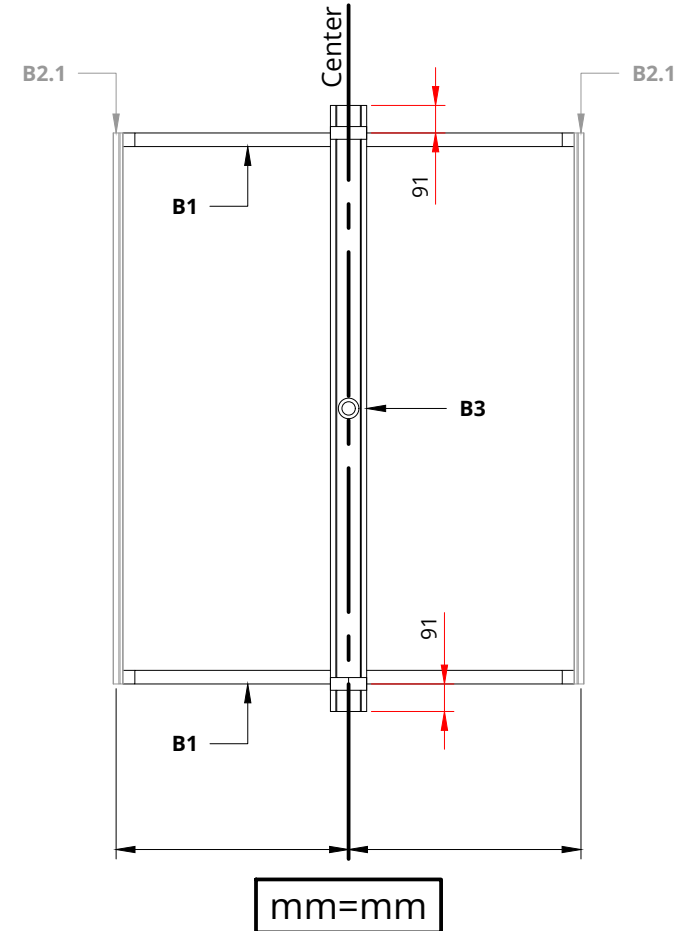
B3


B1



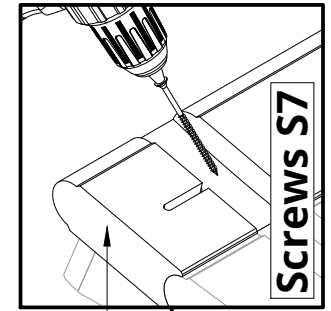
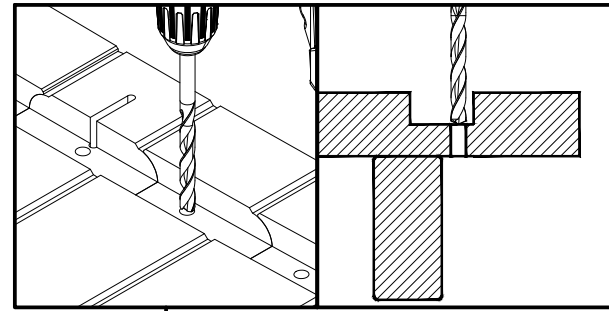
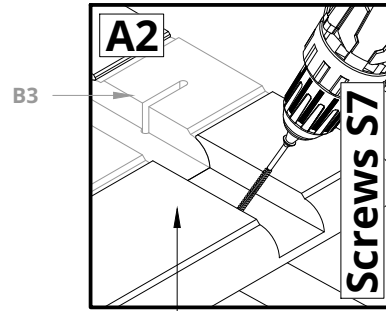
B3

B1



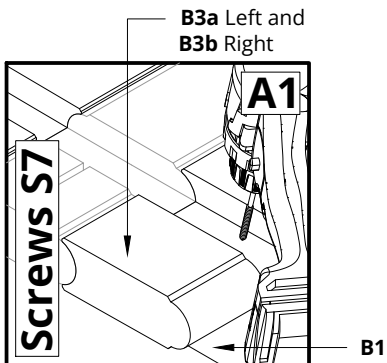
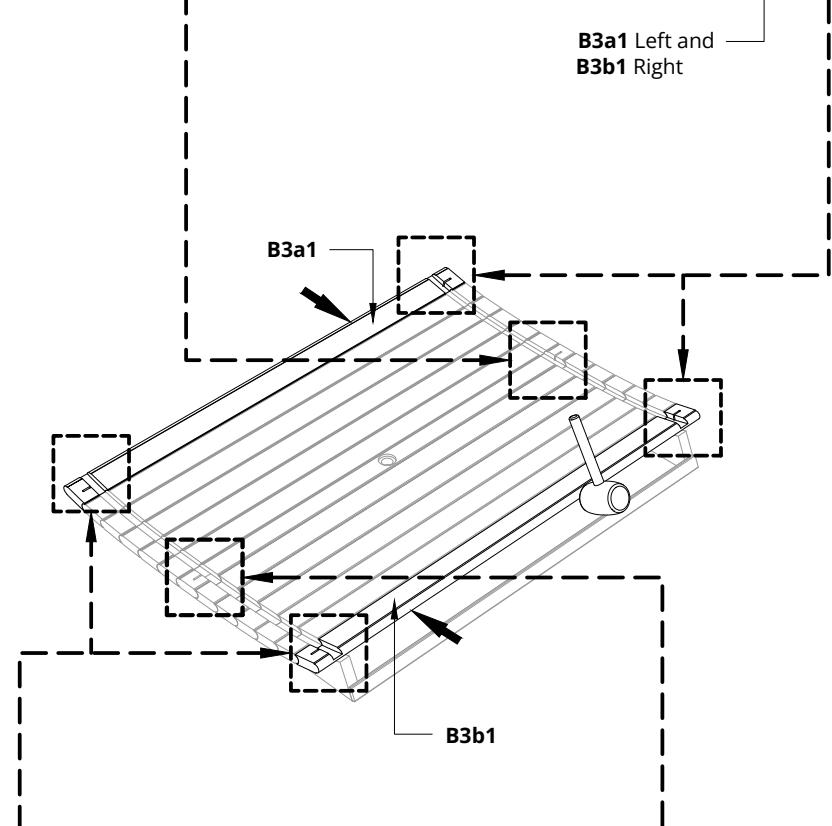
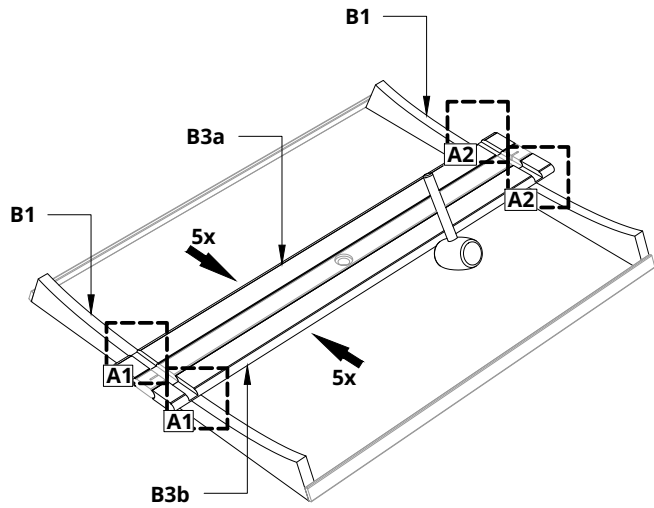
S7	Screws 4,5x80 for Spruce Screws 4,2x75 for Thermo	24
		

**Please countersink the screw head(s)!**  
**Use a rubber mallet to tap the planks together!**  
**Drill 10 mm hole in each plank groove!**

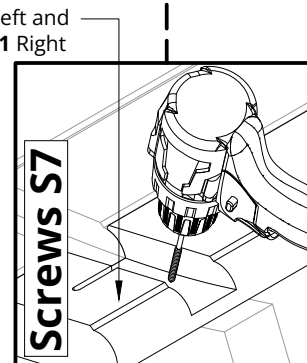


B3a Left and  
B3b Right

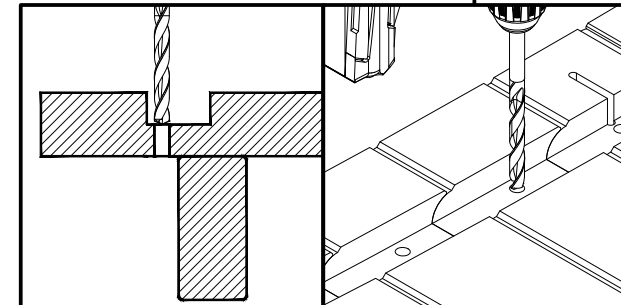
B3a1 Left and  
B3b1 Right



B3a Left and  
B3b Right

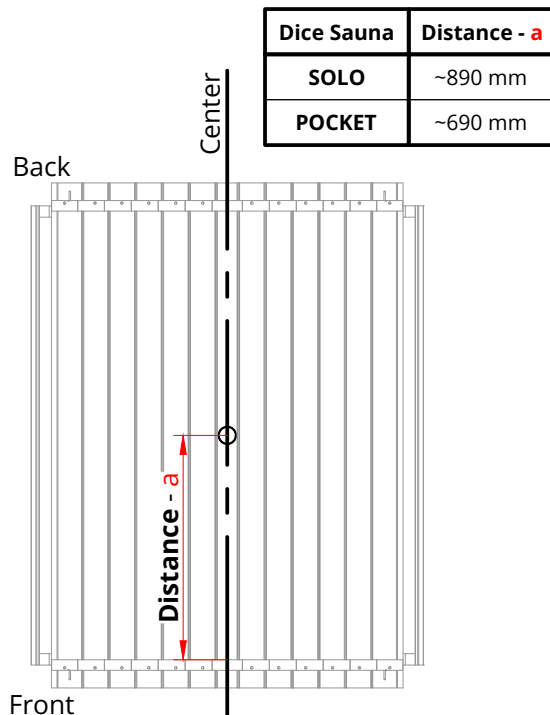


B3a1 Left and  
B3b1 Right

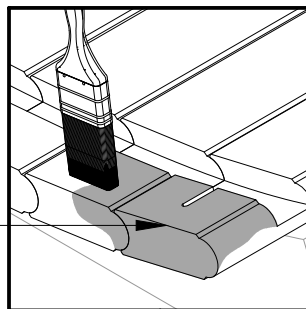


**Cut a hole for the drain pipe (only necessary if there is no hole)!  
Clean the groove and floor surfaces from wood waste and other dirt!  
Cover the grooves and the floor surfaces (middle) with varnish by following the manufacturer's instructions!  
Paint the front end and back end of the boards!**

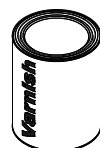
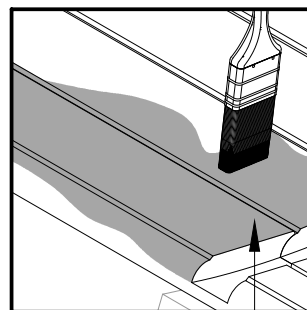
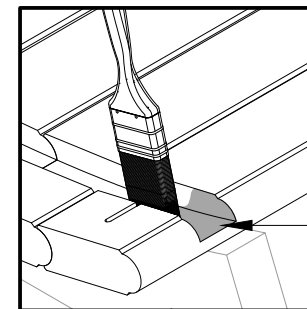
*Only necessary if there is no drain pipe hole*



Add one or two coats of paint **C3 - (Pine)** (Remmer HK Lasur)

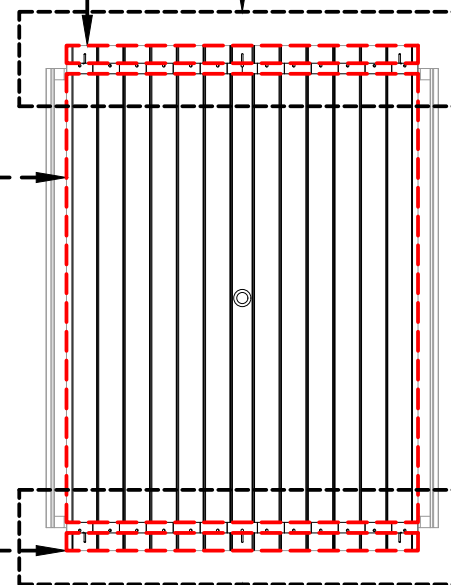


Add two coats of varnish **C1 - (INARIJÄRVI)**

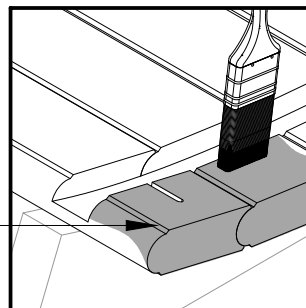


Add two or three coats of varnish **C2 - (HELO AQUA 40)**

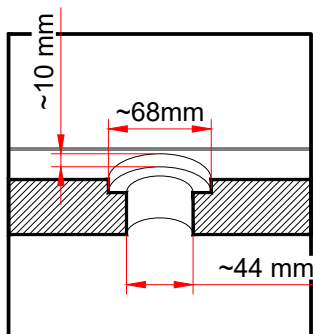
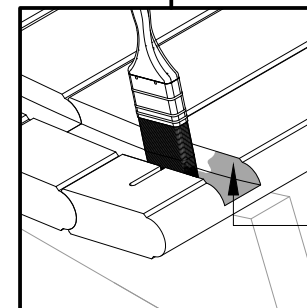
**(HELO AQUA 40 IS FOR THE FLOOR ONLY)**




Add one or two coats of paint **C3 - (Pine)** (Remmer HK Lasur)

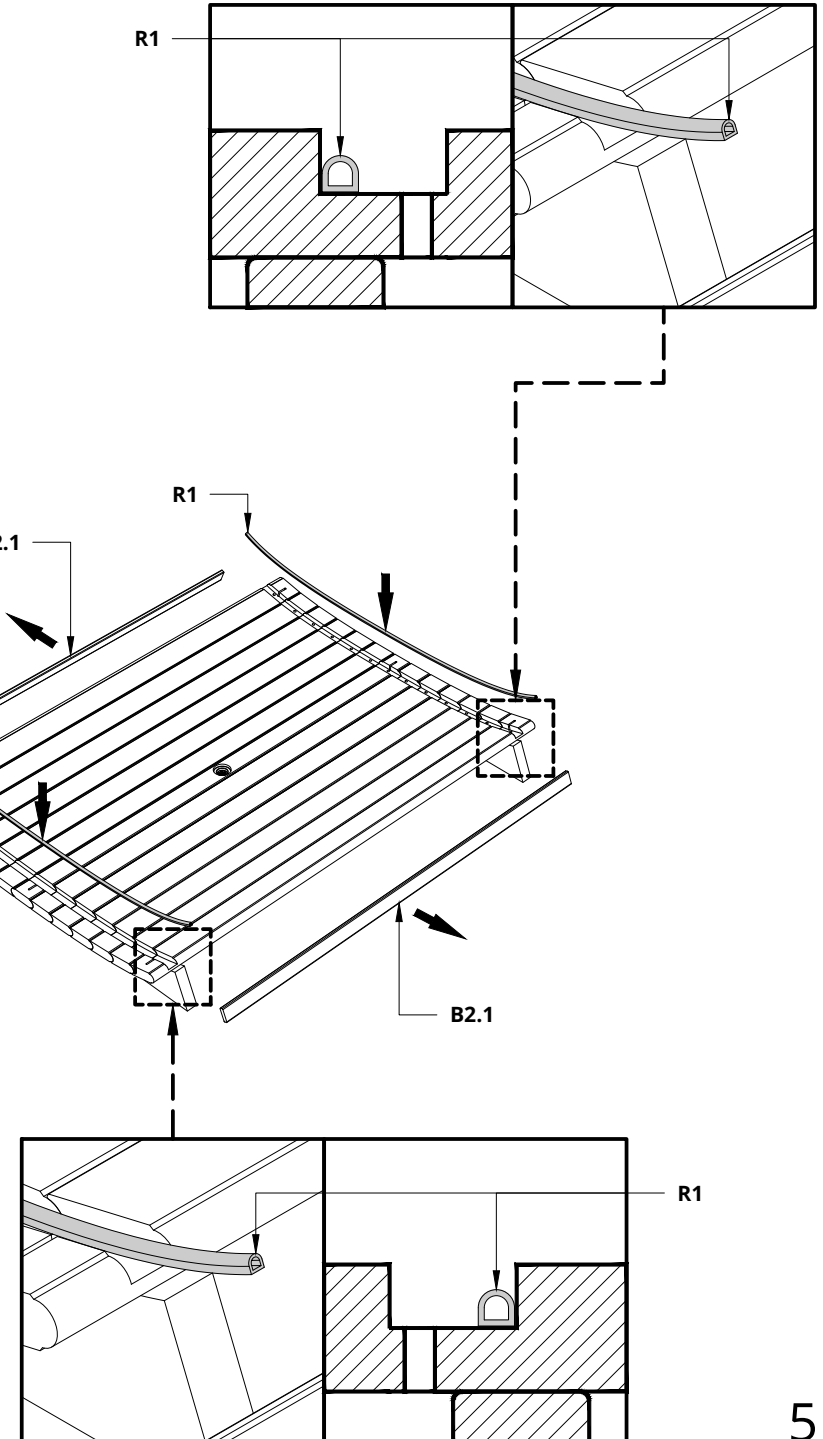
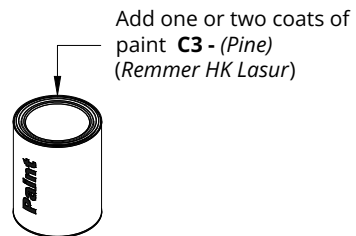
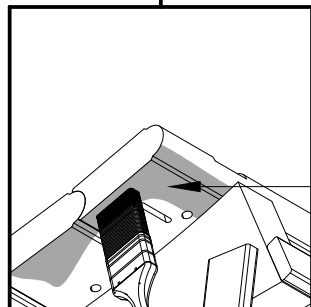
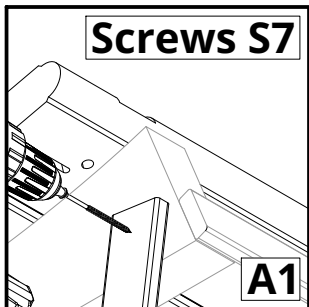
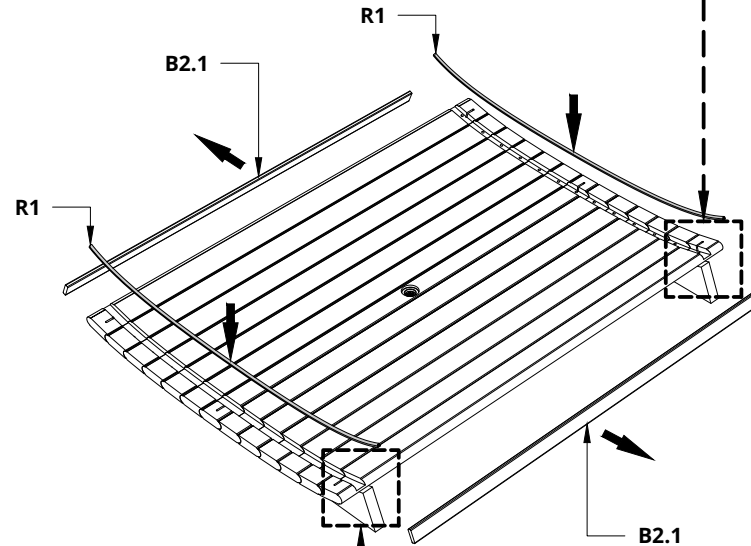
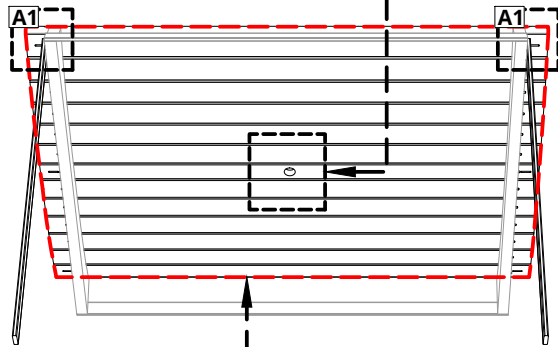
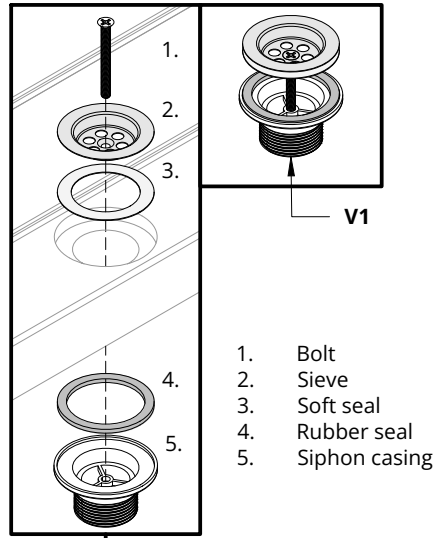



Add two coats of varnish **C1 - (INARIJÄRVI)**



S7	Screws 4,5x80 for Spruce Screws 4,2x75 for Thermo	2
		

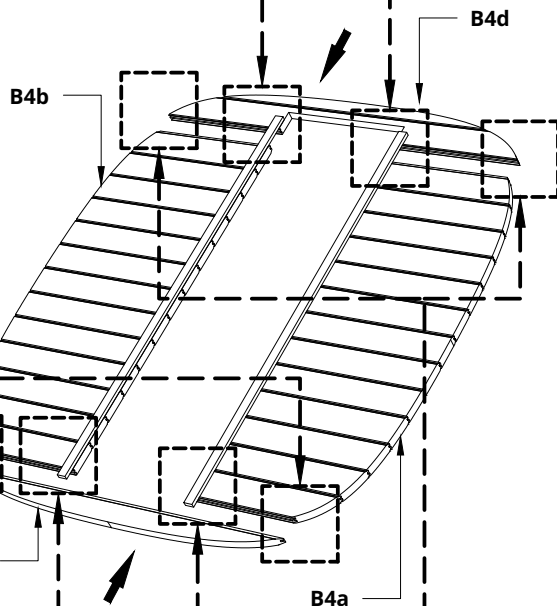
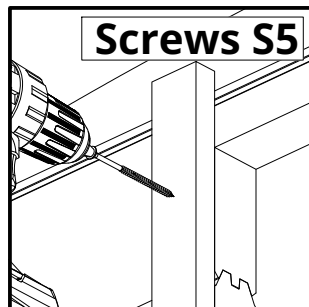
Lift the bottom of the sauna up on one side and install some aids!  
Clean the bottom surface!  
Cover the surface with paint and let the paint dry!  
Install a piece of drain pipe V1!  
Install the rubber seal R1!  
Remove boards B2.1!



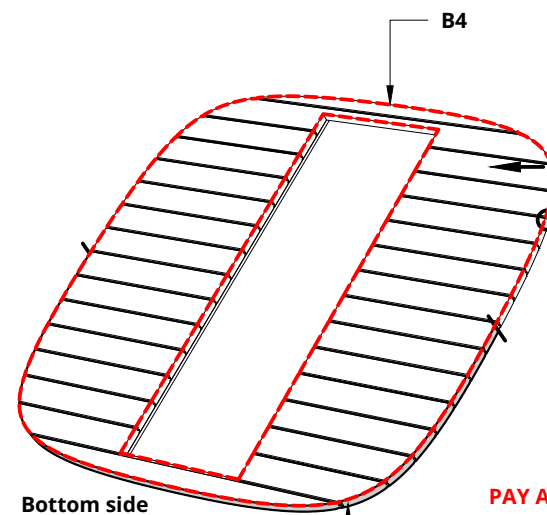
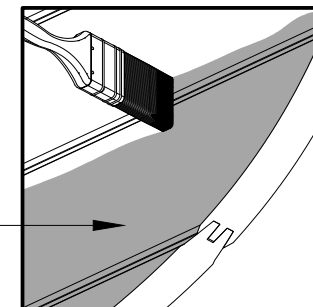
S5	Screws 4,5x60 for Spruce Screws 4,2x55 for Thermo	4
S7	Screws 4,5x80 for Spruce Screws 4,2x75 for Thermo	4
		

**Please countersink the screw head(s)!**  
**Assemble and prepare of the front wall!**  
**Fasten the parts with screws and jigs!**  
**Clean the edge and the outer surface of the front wall from wood waste and other dirt!**  
**Varnish the edge of the wall from the bottom to middle by following the manufacturer's instructions!**  
**Cover the wall outer surface with paint, let the paint dry!**

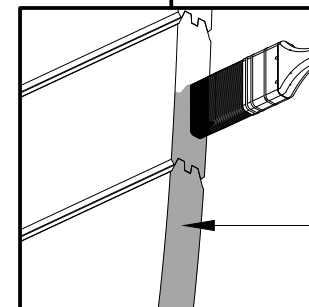
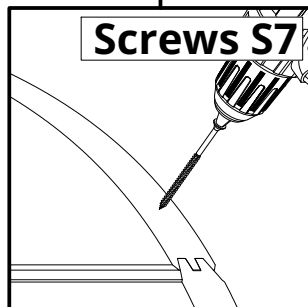
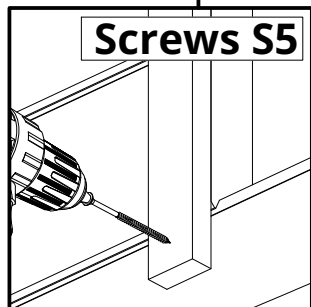
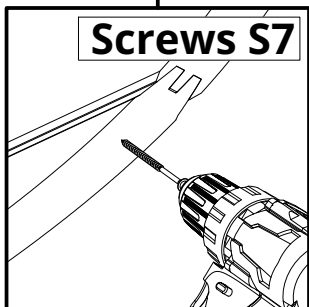
*To assemble the glass wall, see next page.*



Add one or two coats of paint **C3 - (Pine)**  
(Remmer HK Lasur)




**PAY ATTENTION TO THE DIRECTION OF THE WALLS**

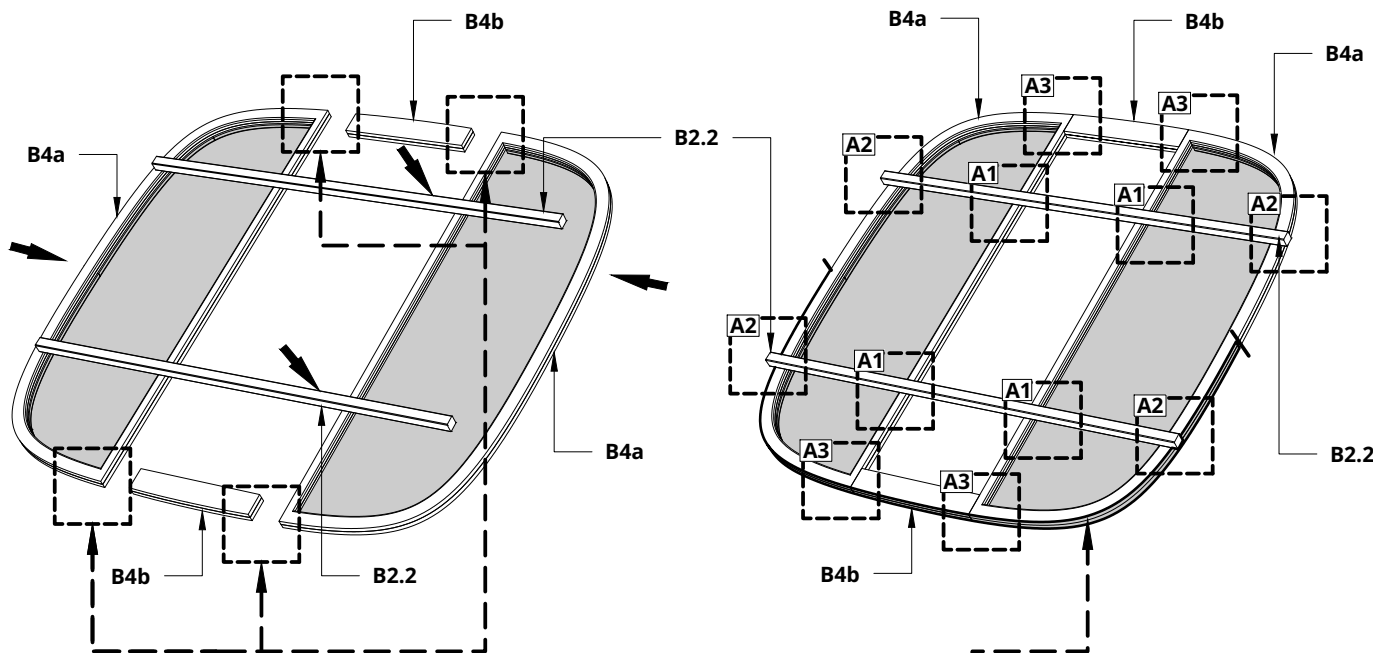
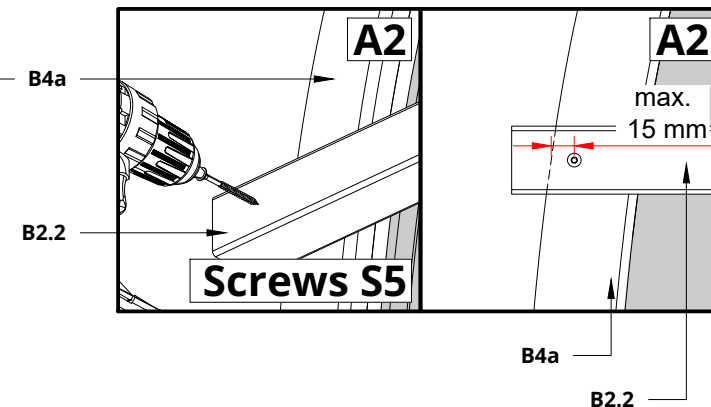
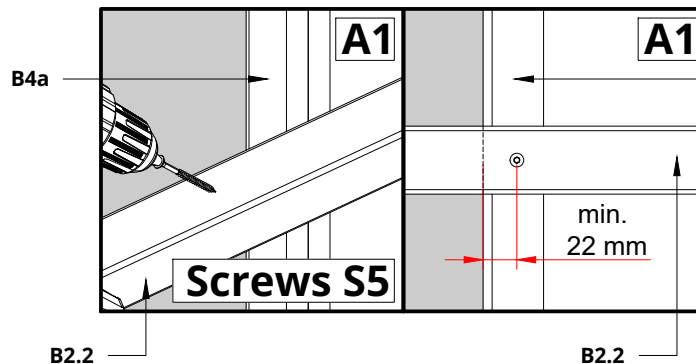


Add two coats of varnish **C1 - (INARIJÄRVI)**

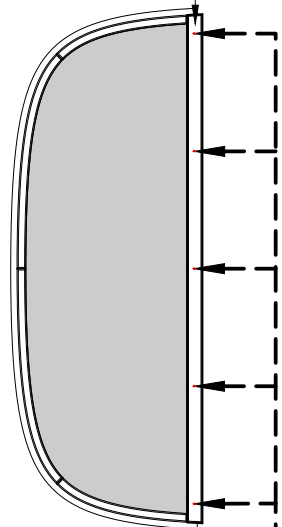


S5	Screws 4,5x60 for Spruce Screws 4,2x55 for Thermo	12
		

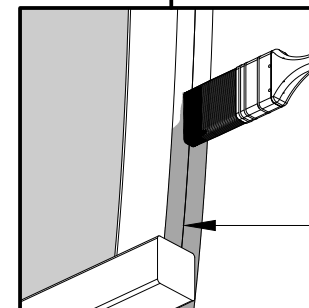
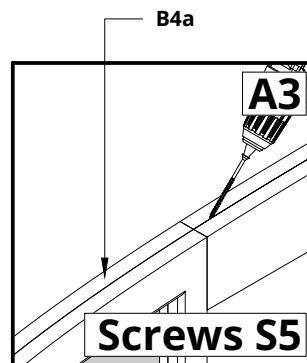
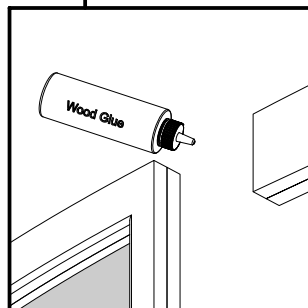
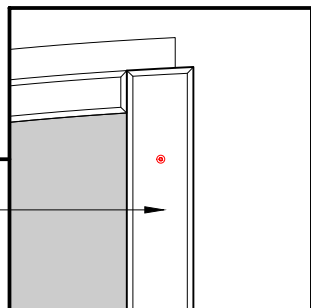
**Only necessary for a glass wall version!**  
**Please countersink the screw head(s)!**  
**Assemble and prepare of the front wall!**  
**Remove the door moldings (B7a)!**  
**Use glue between the B4a and B4b!**  
**Fasten the parts with screws and jigs!**  
**Let the glue dry according to the glue manufacturer's recommendations!**  
**Clean the edge of the wall from wood waste and other dirt!**  
**Varnish the edge of the wall from the bottom to middle by following the manufacturer's instructions!**



Remove the door molding (B7a) from both B4a. Fixed with 5 screws.

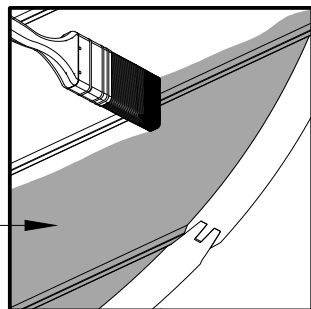
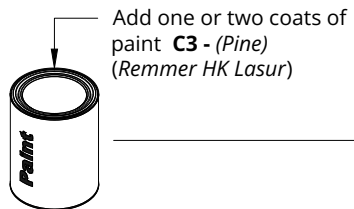
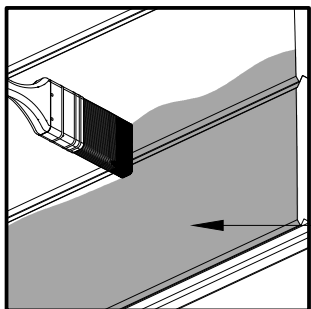


Remove the door molding (B7a) from both B4a Fixed with 5 screws



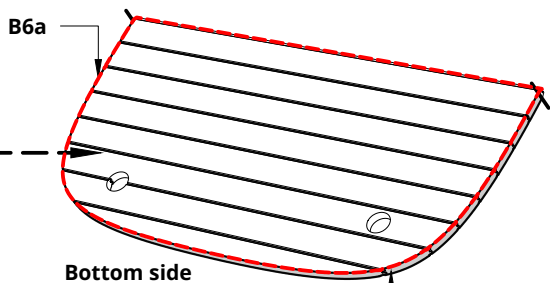
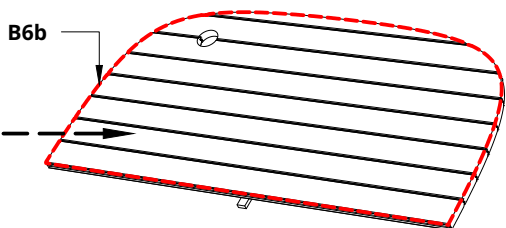
Add two coats of varnish C1 - (INARI/JÄRVI)



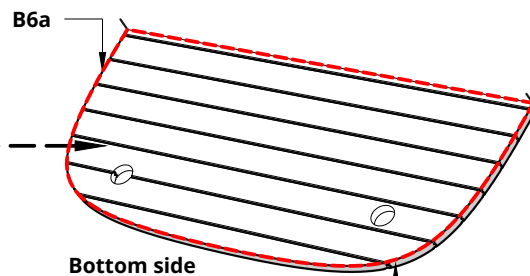


**Preparation of the back wall!**  
Clean the edge of the lower part of the back wall and the outer surface from wood waste and other dirt!  
Varnish the edge of the lower part of the back wall from the bottom to middle by following the manufacturer's instructions!  
Cover the lower part and \*upper part of the back wall outer surface with paint, let the paint dry!

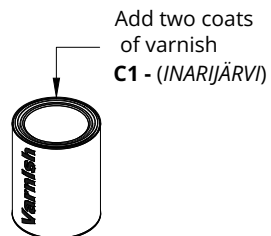
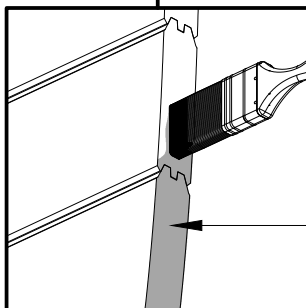
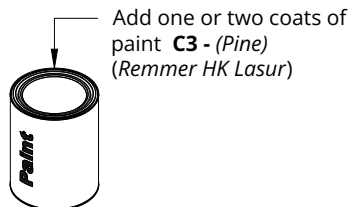
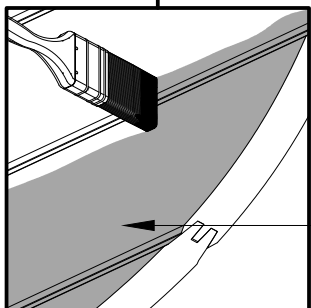
**\*Only on the wooden back wall**



**Wooden back wall  
(lower and upper part)**



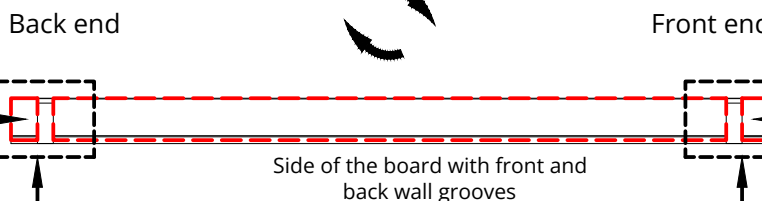
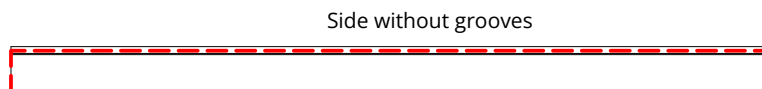
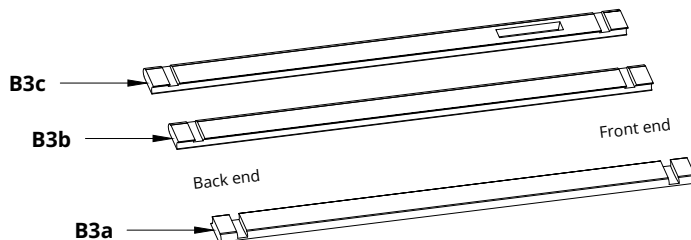
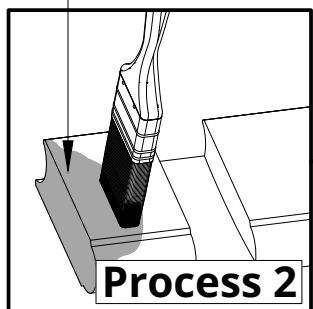
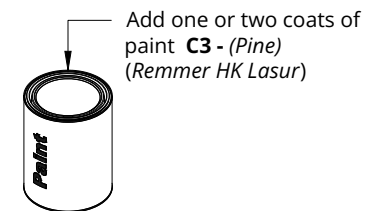
**Panoramic back wall  
(lower part)**



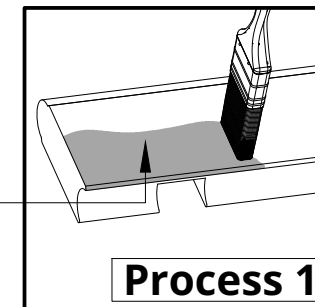
**Preparation for side wall boards.**

**Before doing the processes, clean the sidewall boards from wood waste and other dirt!**

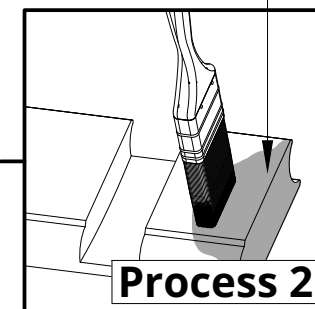
Boards	First ones			The following ones			
	B3a	B3b	B3c	B3a	B3b	B3a	B3b
Process 1	✓	✓	✓	✗	✗	✗	✗
Process 2	✓	✓	✓	✓	✓	✓	✓
Process 3	✓	✓	✓	✓	✓	✗	✗
Label them	1L	1R	1.1R	2L	2R	3L	3R
Quantity	5	4	1	8	8	19	19



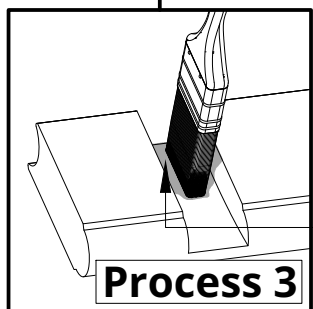
Add one or two coats of paint C3 - (Pine) (Remmer HK Lasur)



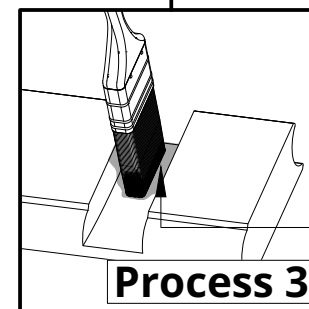
Add one or two coats of paint C3 - (Pine) (Remmer HK Lasur)




Add two coats of varnish C1 - (INARIJÄRVI)

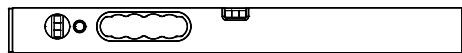


Add two coats of varnish C1 - (INARIJÄRVI)

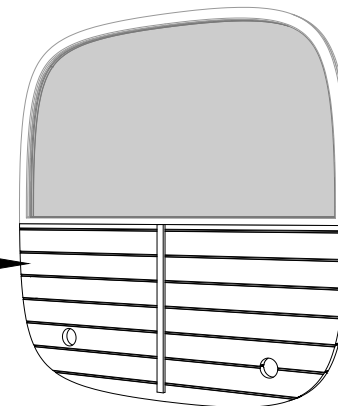


S5	Screws 4,5x60 for Spruce Screws 4,2x55 for Thermo	8
		

NB! use a level



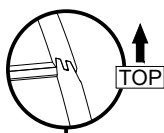
The same steps apply to the bottom part of the panoramic back wall



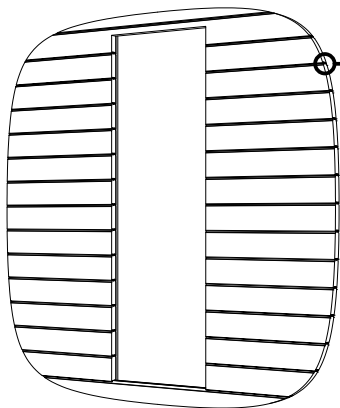
Panorama back wall

**\* Depends on the choice of sauna wall!  
Please countersink the screw head(s)!  
Make sure that the walls are centered in relation to the bottom!  
Install safety boards on walls, use boards B3a and B3b, that are labeled as 3L and 3R!  
Remove the back wall connection strip(s)**

**PAY ATTENTION TO THE DIRECTION OF THE WALLS!**

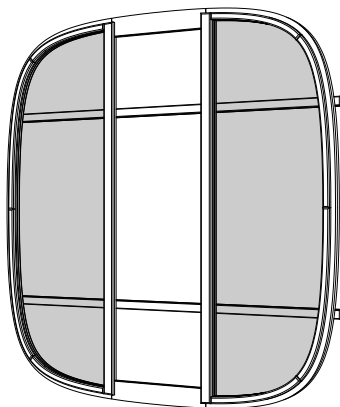


B4 depends on the choice of sauna front walls

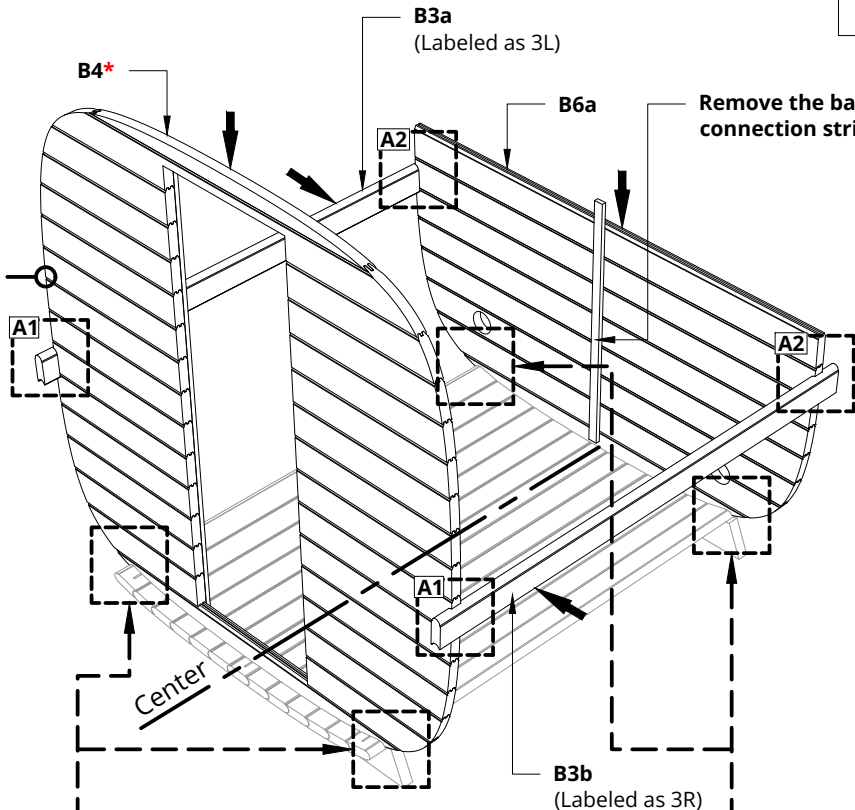


Wooden front wall

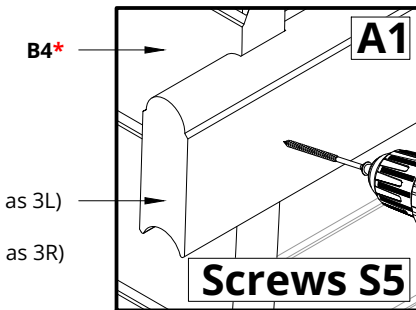
OR



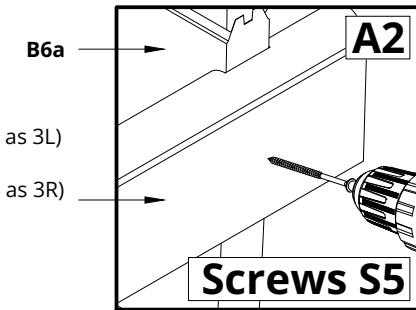
Glass front wall



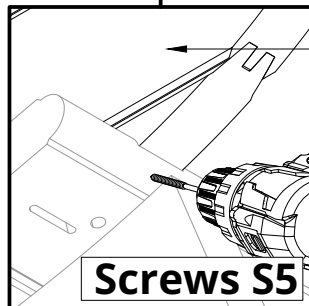
Remove the back wall connection strips



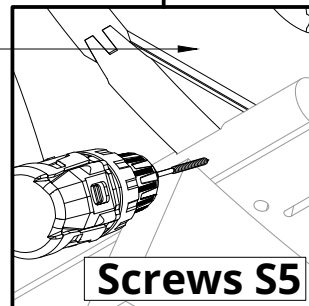
B3a (Labeled as 3L) and B3b (Labeled as 3R)




B3a (Labeled as 3L) and B3b (Labeled as 3R)



Screws S5

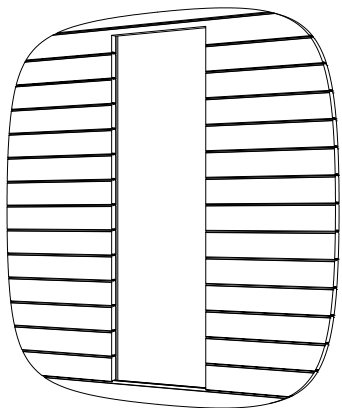


Screws S5

S5	Screws 4,5x60 for Spruce Screws 4,2x55 for Thermo	4
S7	Screws 4,5x80 for Spruce Screws 4,2x75 for Thermo	2
		

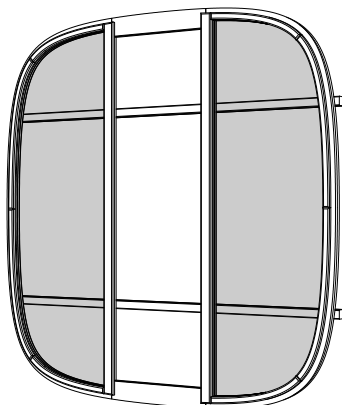
**\* Depends on the choice of sauna wall!  
Please countersink the screw head(s)!**  
Install the upper part of the back wall B6b  
and the upper safety board!  
Remove the back wall connection strip(s)!  
*Panorama construction instructions are on the next page!*

B4 depends on the choice of sauna front walls

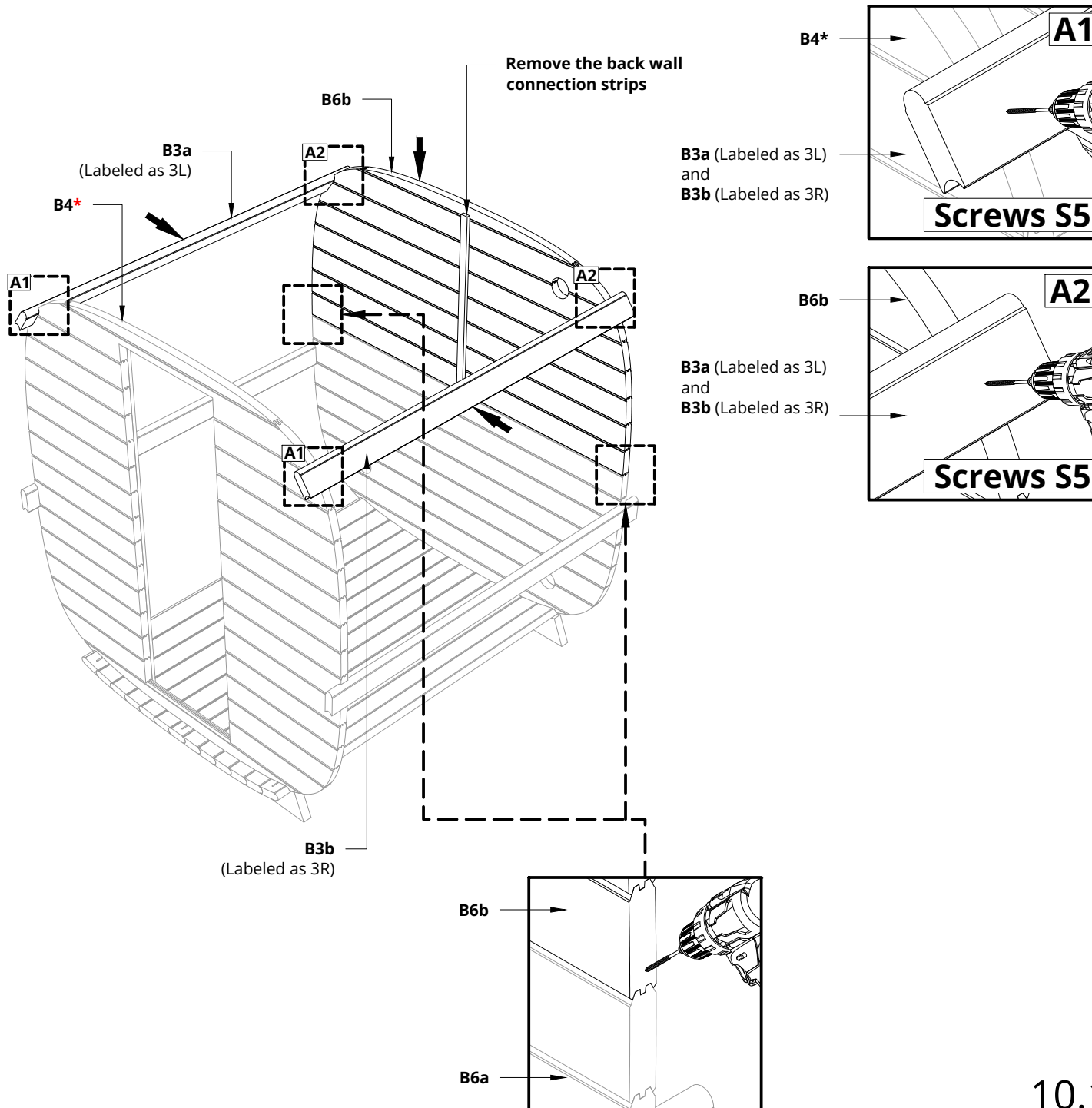



Wooden front wall

OR



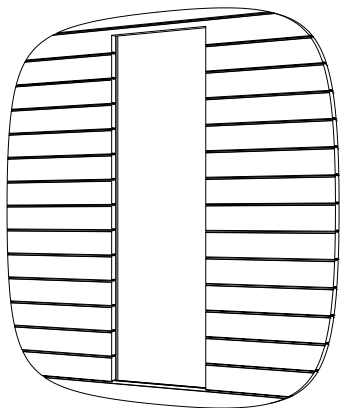
Glass front wall



S2	Screws 3x40	5
S5	Screws 4,5x60 for Spruce Screws 4,2x55 for Thermo	6
		

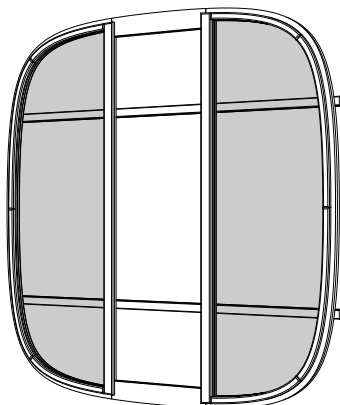
**Only necessary for a panorama back wall version!**  
**\* Depends on the choice of sauna wall!**  
**Please countersink the screw head(s)!**  
**Install the upper part of the back wall B6b and the upper safety board!**  
**Remove the back wall connection strip(s)!**

B4 depends on the choice of sauna front walls

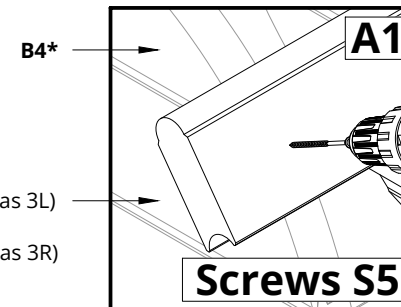
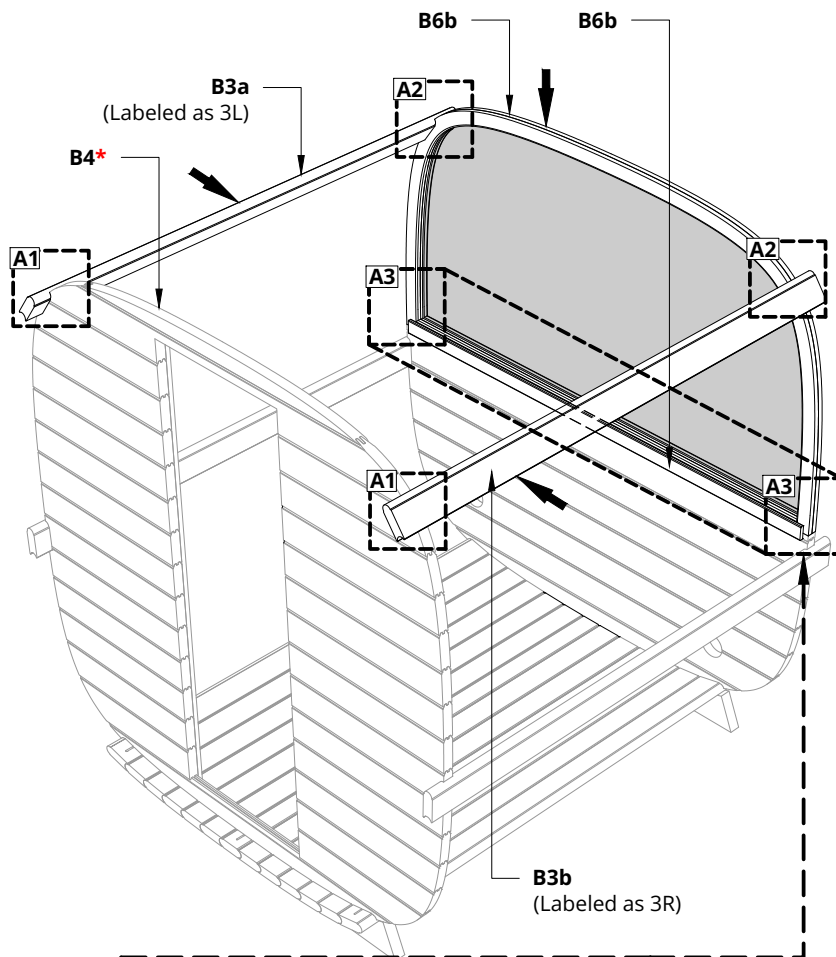


Wooden front wall

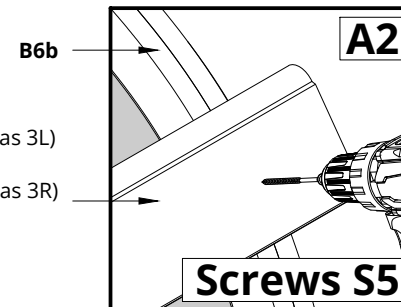
OR



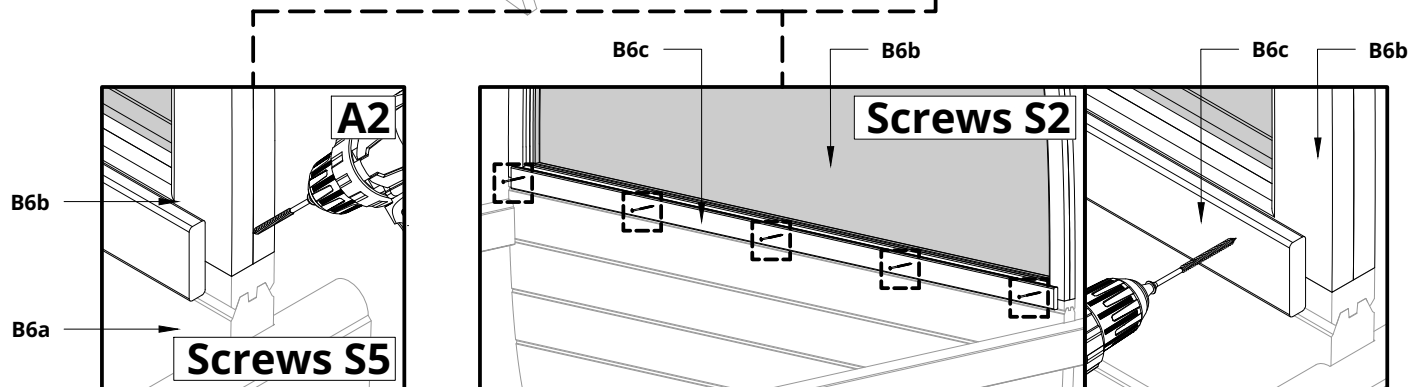
Glass front wall




B3a (Labeled as 3L) and B3b (Labeled as 3R)

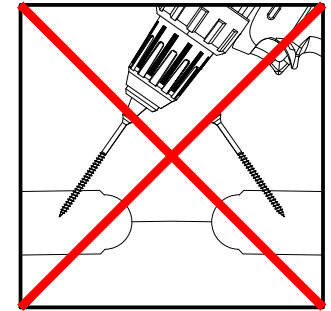


B3a (Labeled as 3L) and B3b (Labeled as 3R)

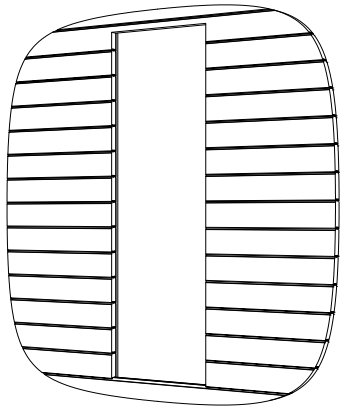


S5	Screws 4,5x60 for Spruce Screws 4,2x55 for Thermo	104
		

**\*Depends on the choice of sauna wall!**  
**\*\*For glass wall only!**  
**Please countersink the screw head(s)!**  
**Use a rubber mallet to tap the planks into place!**  
**Please do not screw the screws in on the last whole blanks immediately!**

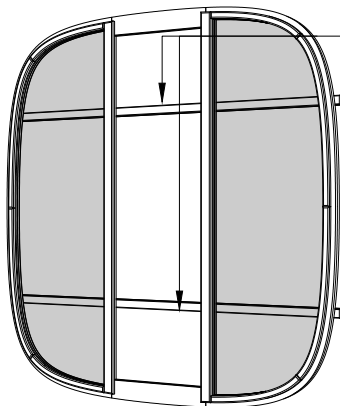


B4 depends on the choice of sauna front walls



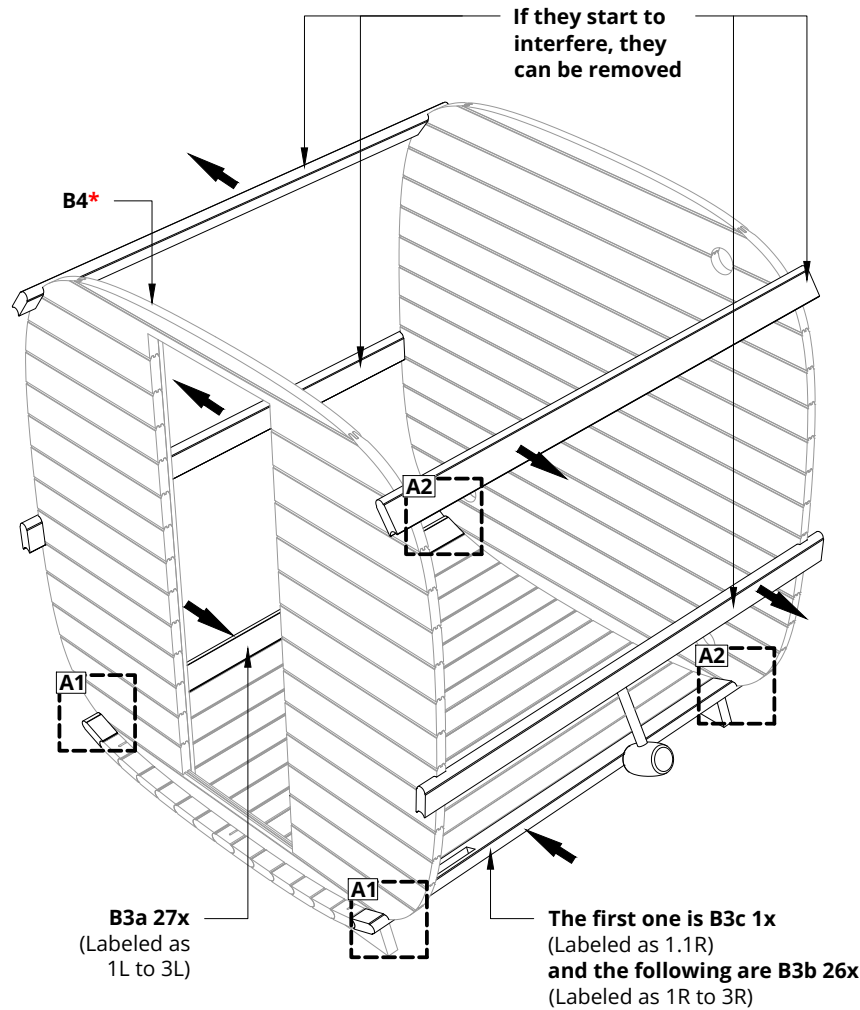
Wooden front wall

OR

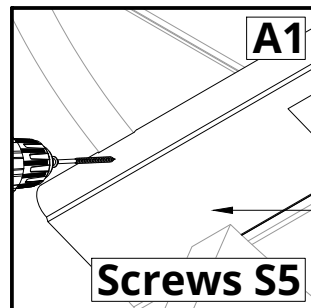
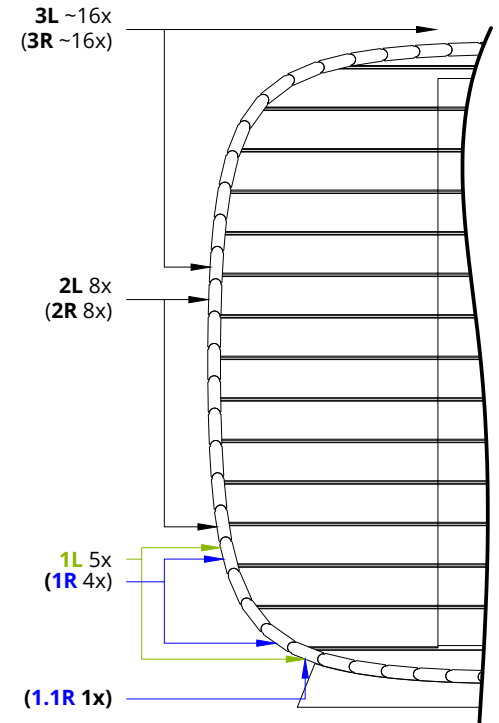


Glass front wall

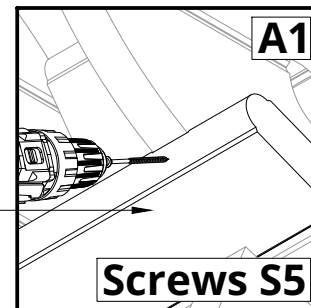
**\*\* If they start to interfere, they can be removed**



**B3a left**  
**(B3b and 1xB3c right)**  
 layout of labeled boards



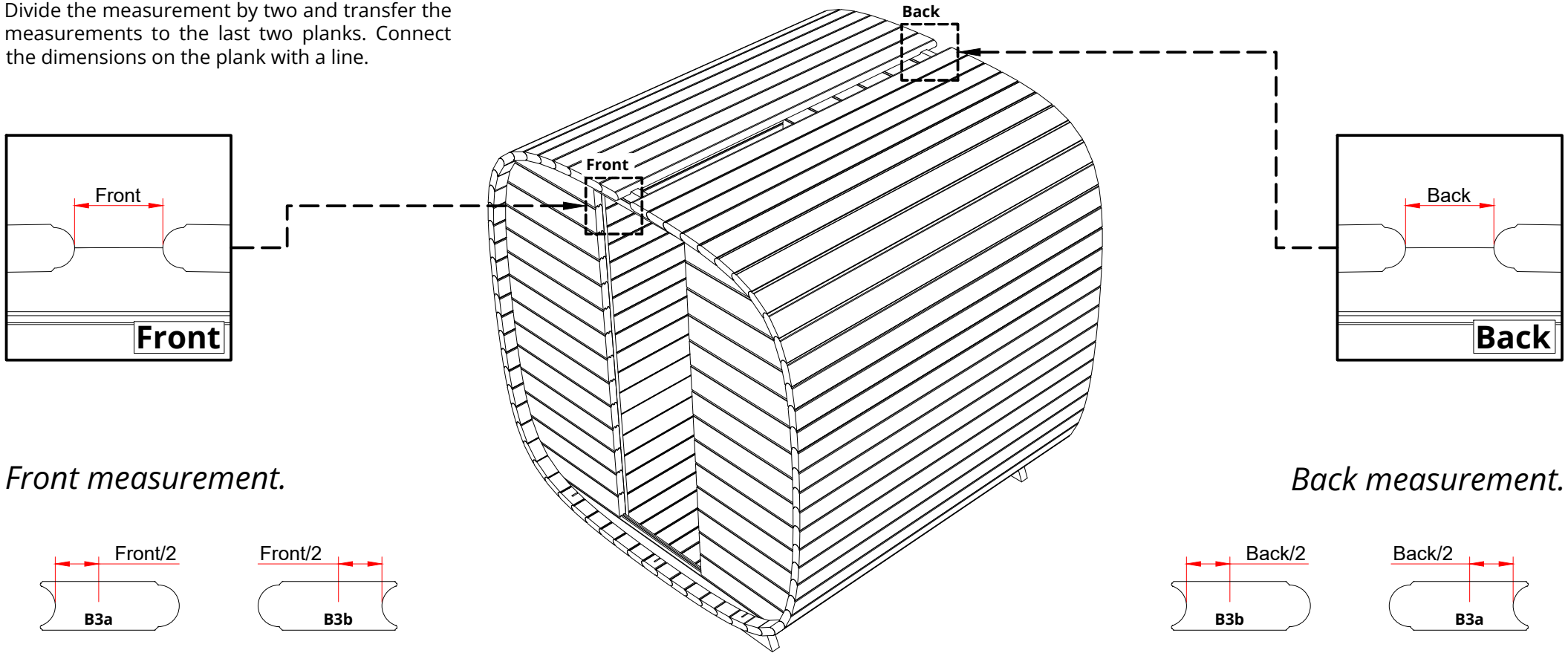
**B3a left**  
 (Labeled as 1L to 3L)  
**B3b and B3c right**  
 (Labeled as 1.1R, 1R to 3R)



**Screws S5**

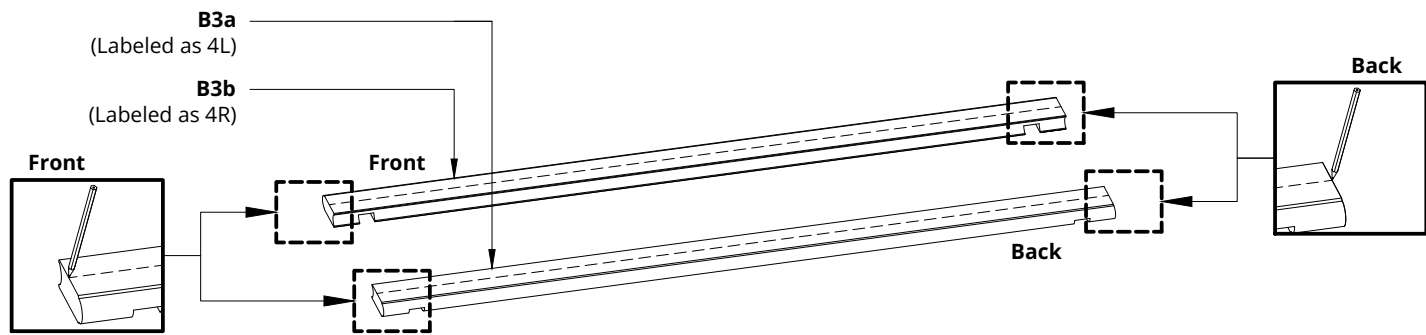
**Measure the gap front and back,  
the dimensions can be different!**


Divide the measurement by two and transfer the measurements to the last two planks. Connect the dimensions on the plank with a line.



*Front measurement.*

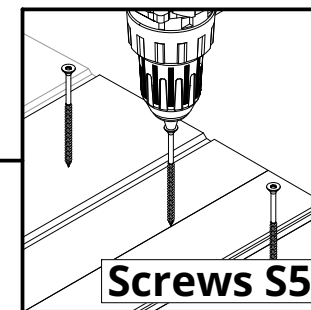
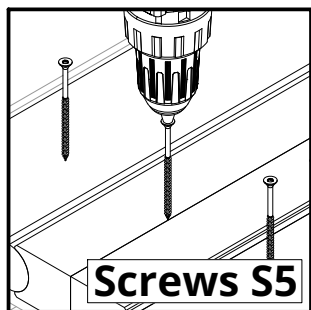
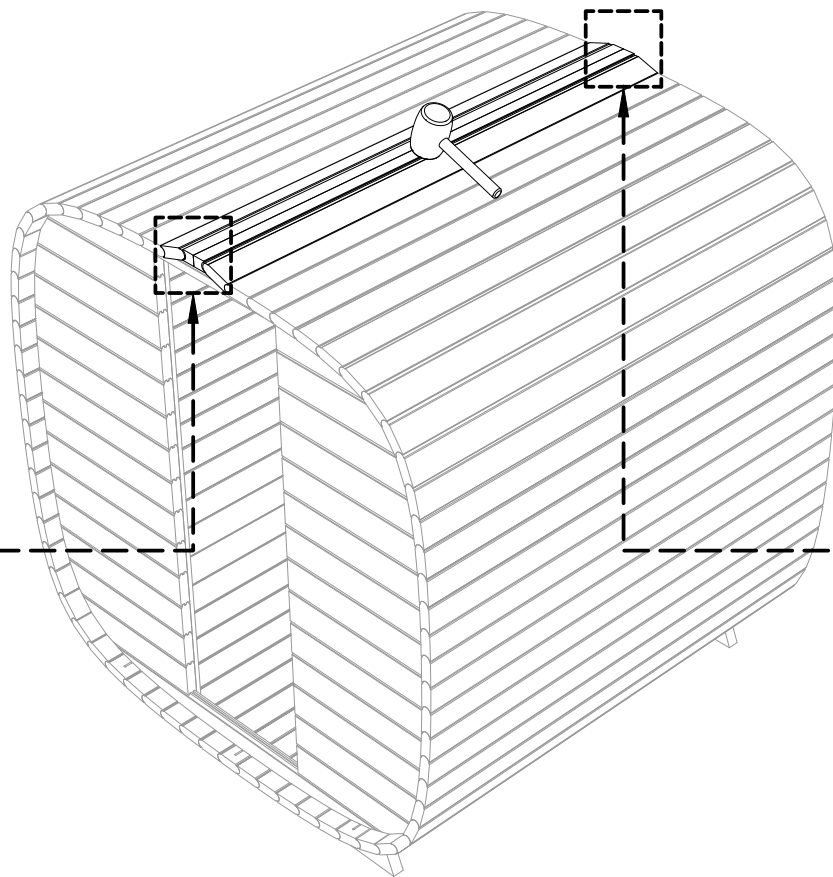
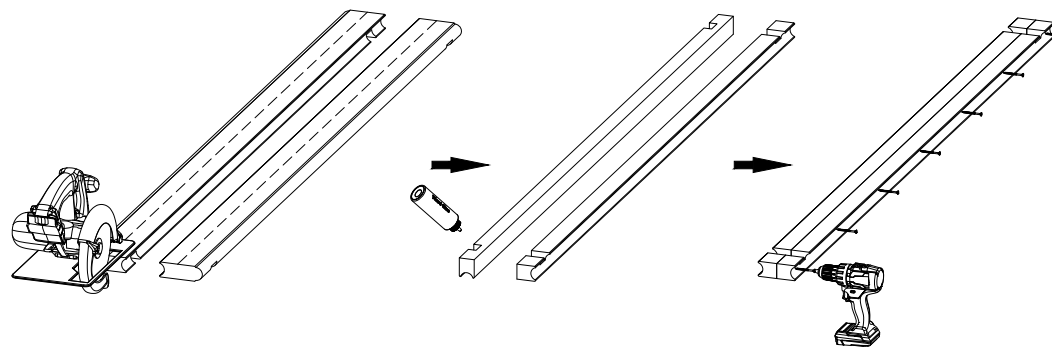
*Back measurement.*

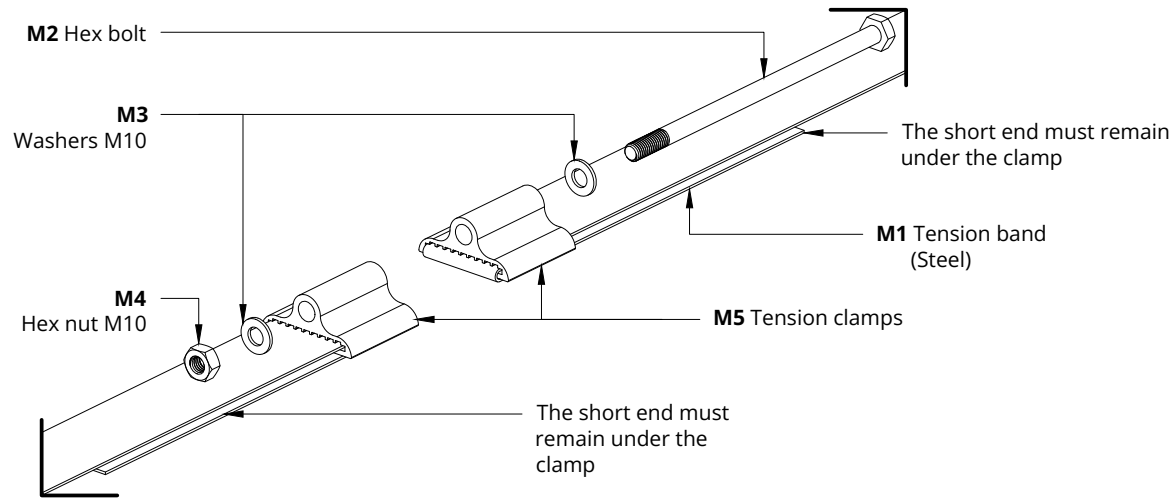


S2...7	Screws 3x40 ... 4,5x80	7
S5	Screws 4,5x60 for Spruce Screws 4,2x55 for Thermo	6
		

**Please countersink the screw head(s)!**  
**Prepare the last plank!**  
**Use a rubber mallet to tap the planks in to the cap!**

Cut along the marked line to cut off these ends. Glue the two cut boards with wood glue and connect them with 7 pieces of 3x40 ... 4.5x80 screws (the length of the screws depends on the final width of the last two planks cut). Wipe off excess glue with a cloth and then use sandpaper to smooth out the gap.

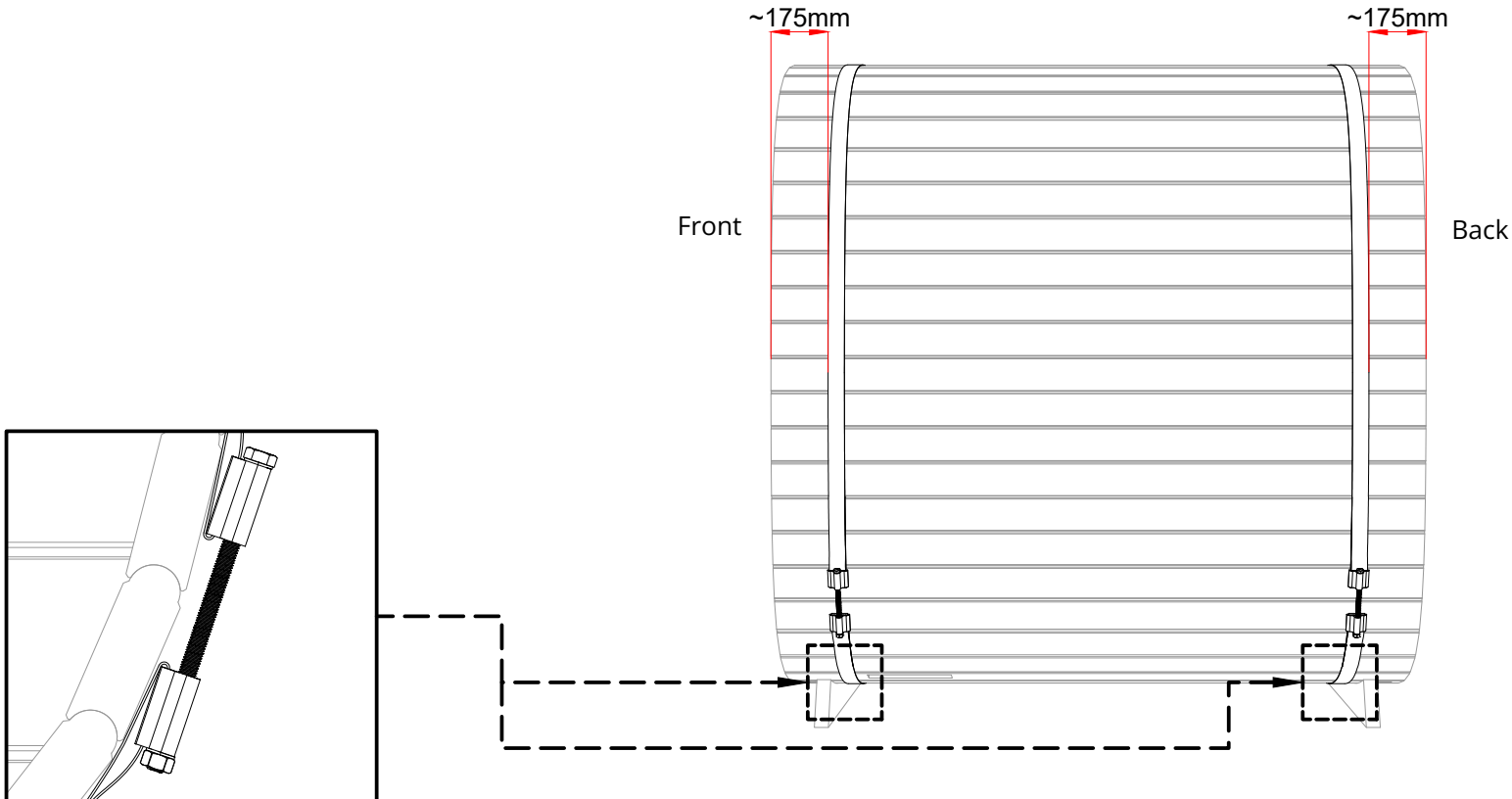





Place the tension bands M1 (Steel band) around the side walls and thread the bands into the eyelet as follows (see sketch above).

Hex nuts and bolts must be tightened as long as the planks are stationary in all directions.

**The tension band and clamps must be placed as shown in the picture below.**

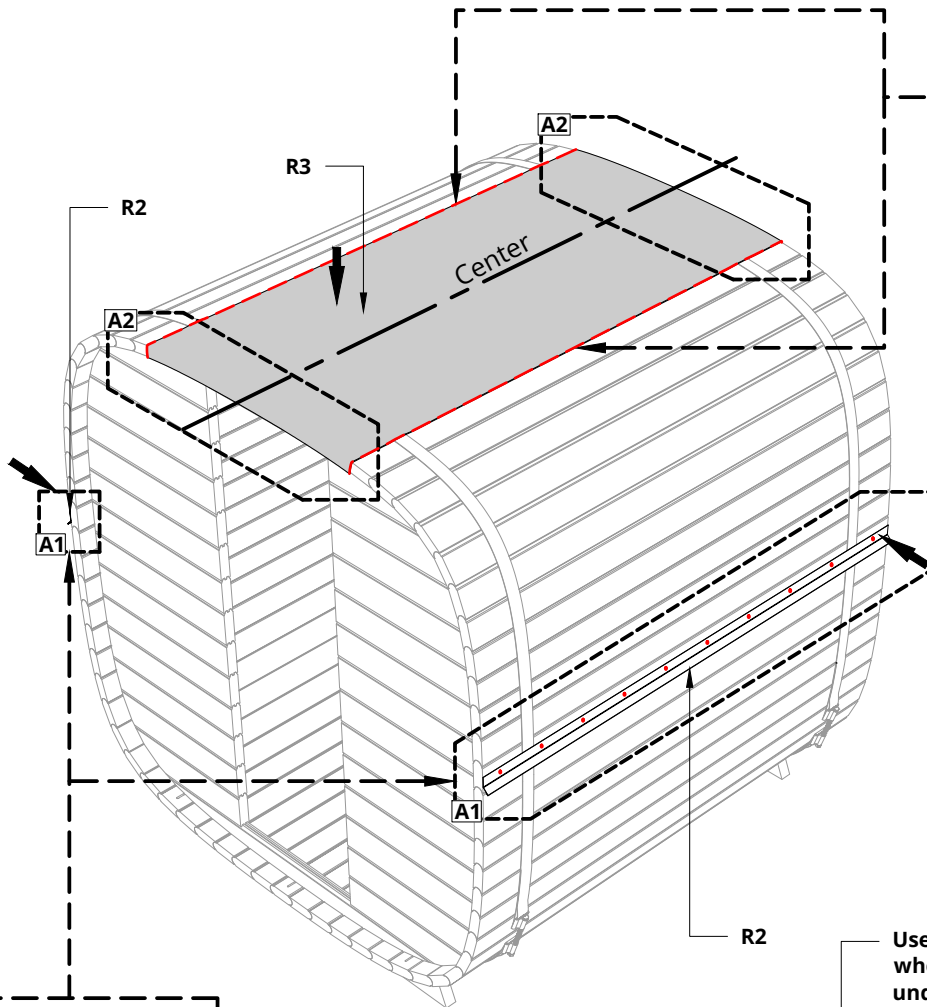


S1	Screws 3x30	~20
R6	Nail 2,5x25	~40
		

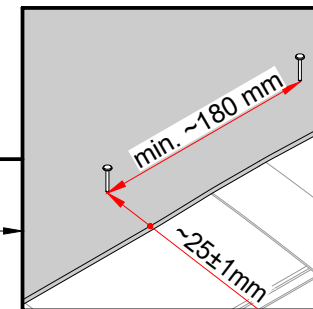
NB! use a level



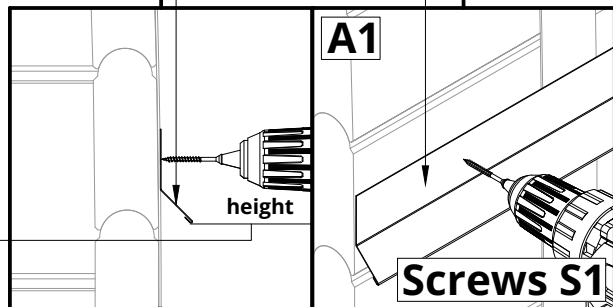
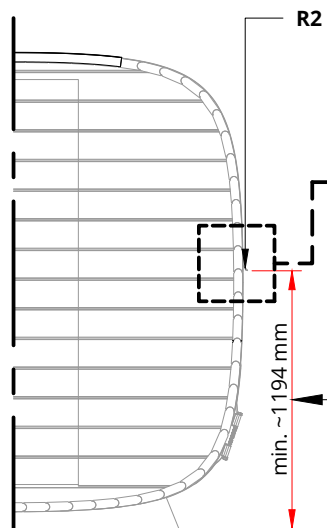
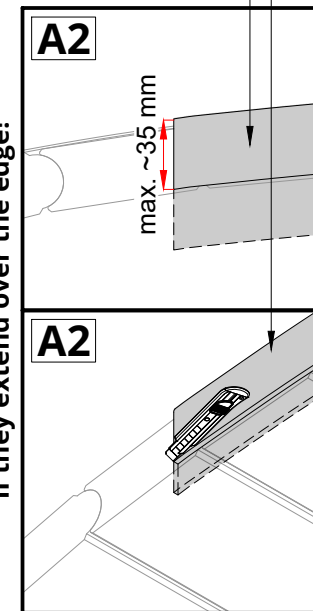
Install the drip edge sheet metal profile on the left and right!  
 Install the underlay in the center of the roof!  
 The underlay must extend over the front end and back end!  
 Fasten the underlay along the long edges!  
 Use a heat source when bending the underlay front end and back end!  
 Fasten the underlay front end and back end!  
 Cut off the ends that extend over the edge!



About 13 nails along the edge of R3



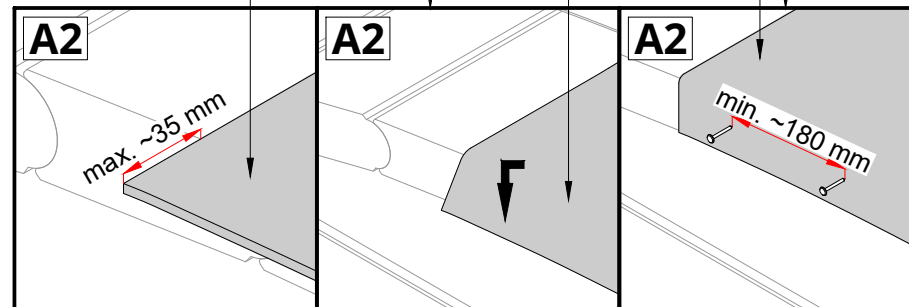
It is only necessary to cut if they extend over the edge!




Screws S1

Use a heat source when bending the underlays

About 7 nails along the edge of R3



R6	Nail 2,5x25	~32
		

Sheets are self-adhesive, for better adhesion use a heat source!

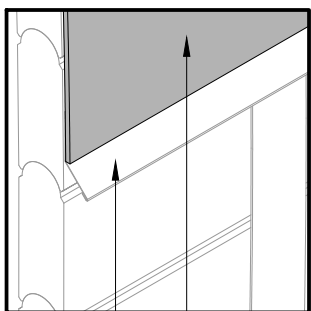
The base row starts from the front!

Cut sheets that extend over the edge! (It is only necessary to cut if they extend over the edge!)

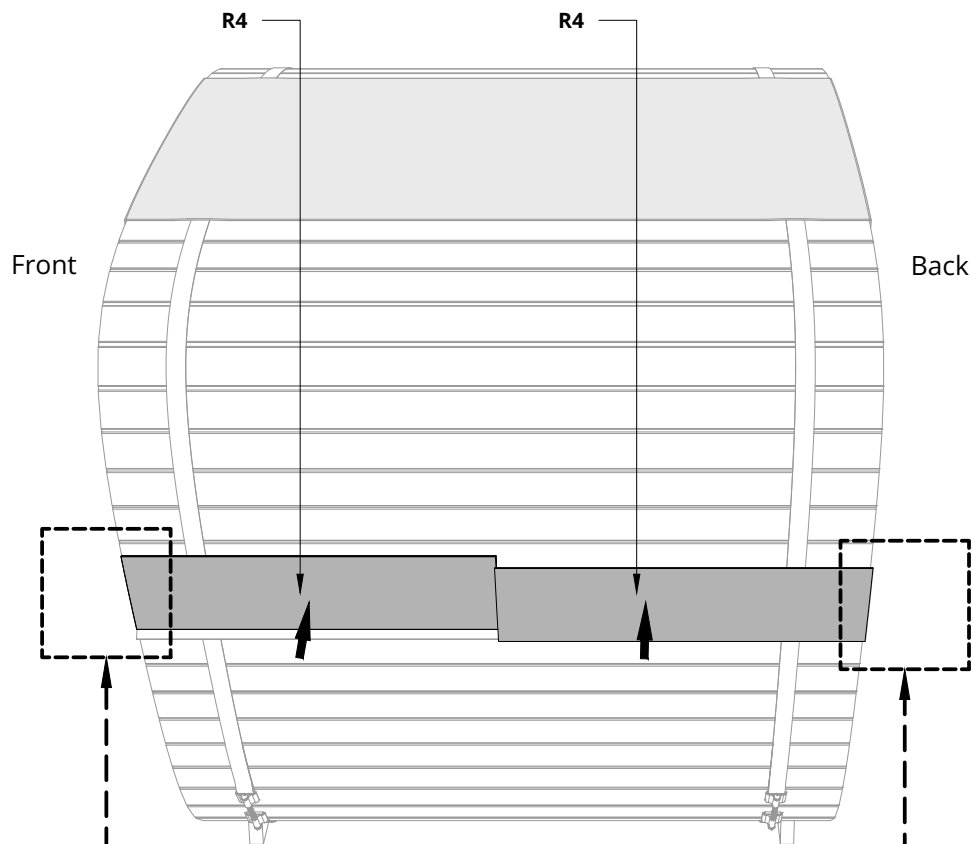
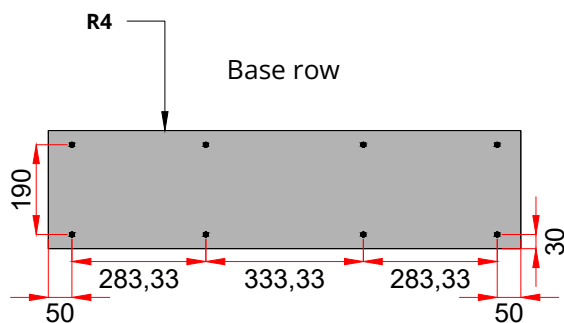
Suitable leftovers can be used!

Repeat these steps on the other side as well!

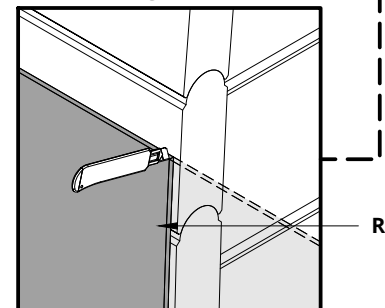
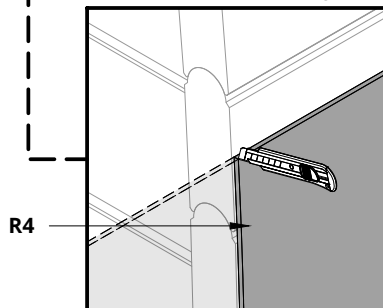
Recommendation for proper installation are in separate pages.



R2 R4

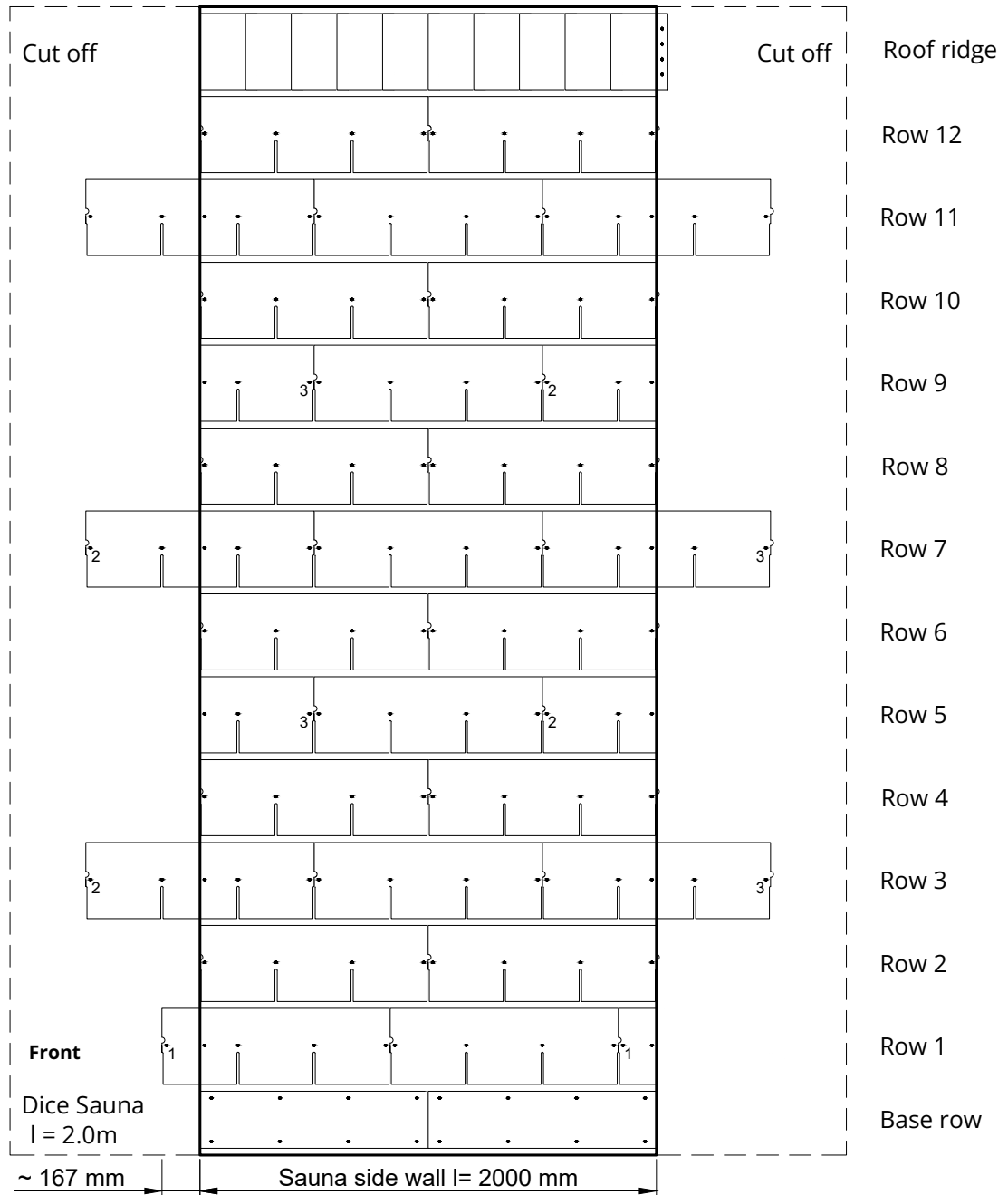


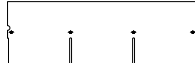
It is only necessary to cut if they extend over the edge!



**Katepal 3T Rectangle** bitumen roof  
sheet row arrangement for Dice Sauna SOLO.

**Dice Sauna (SOLO)**

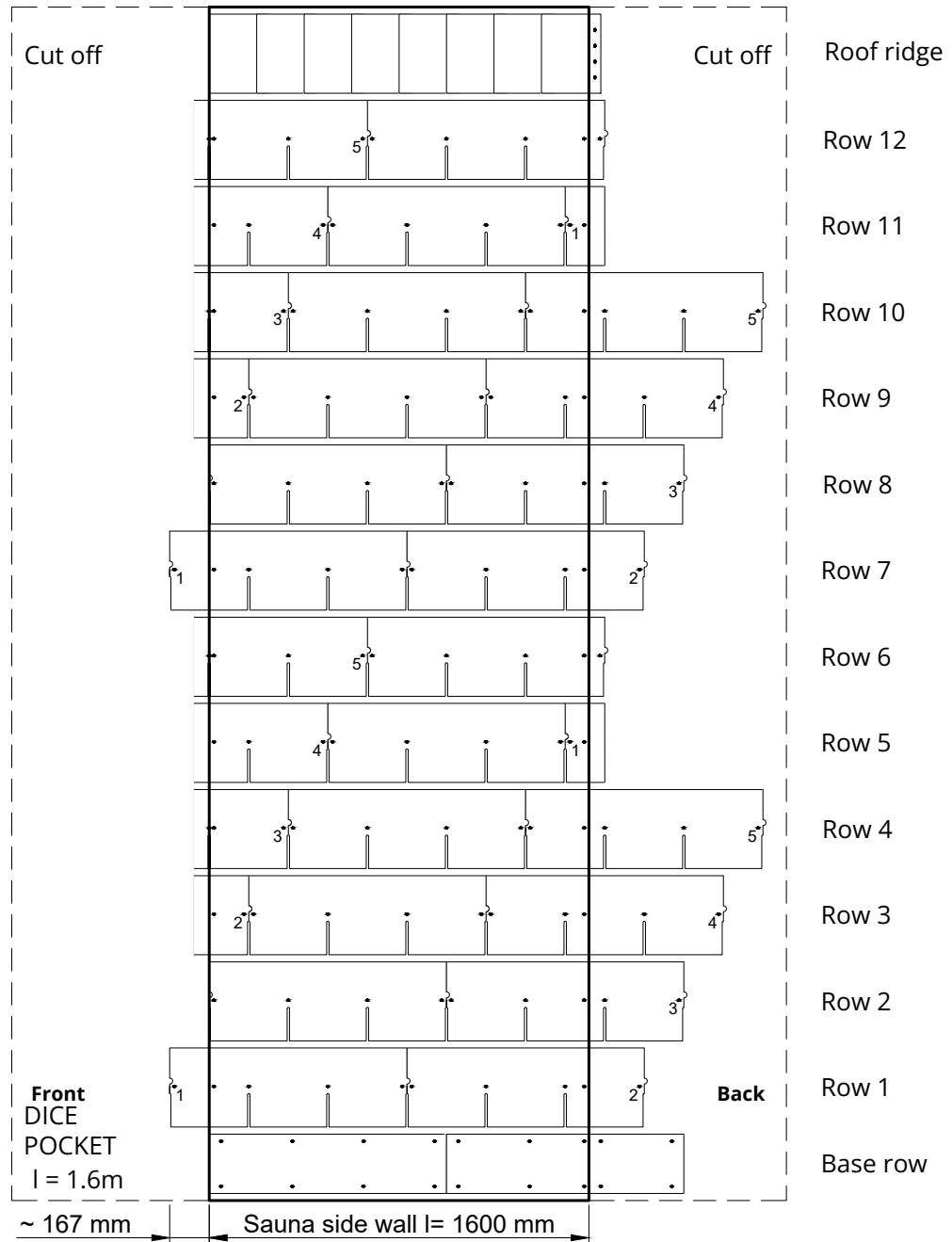


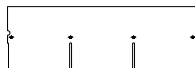
**R5**  - 3 pkg

**R4**  - 8 pcs


# Katepal 3T Rectangle bitumen roof sheet row arrangement for DICE POCKET

## DICE (POCKET)



**R5**  - 2.5 pkg

**R4**  - 6 pcs

R6	Nail 2,5x25	~220
		

Sheets are self-adhesive, for better adhesion use a heat source!

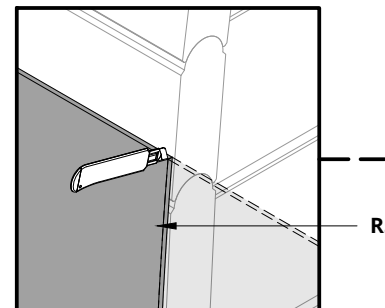
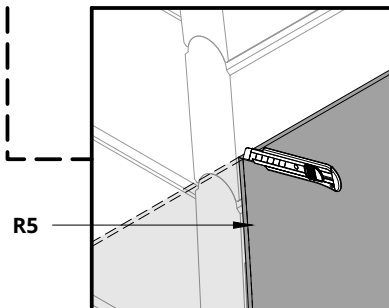
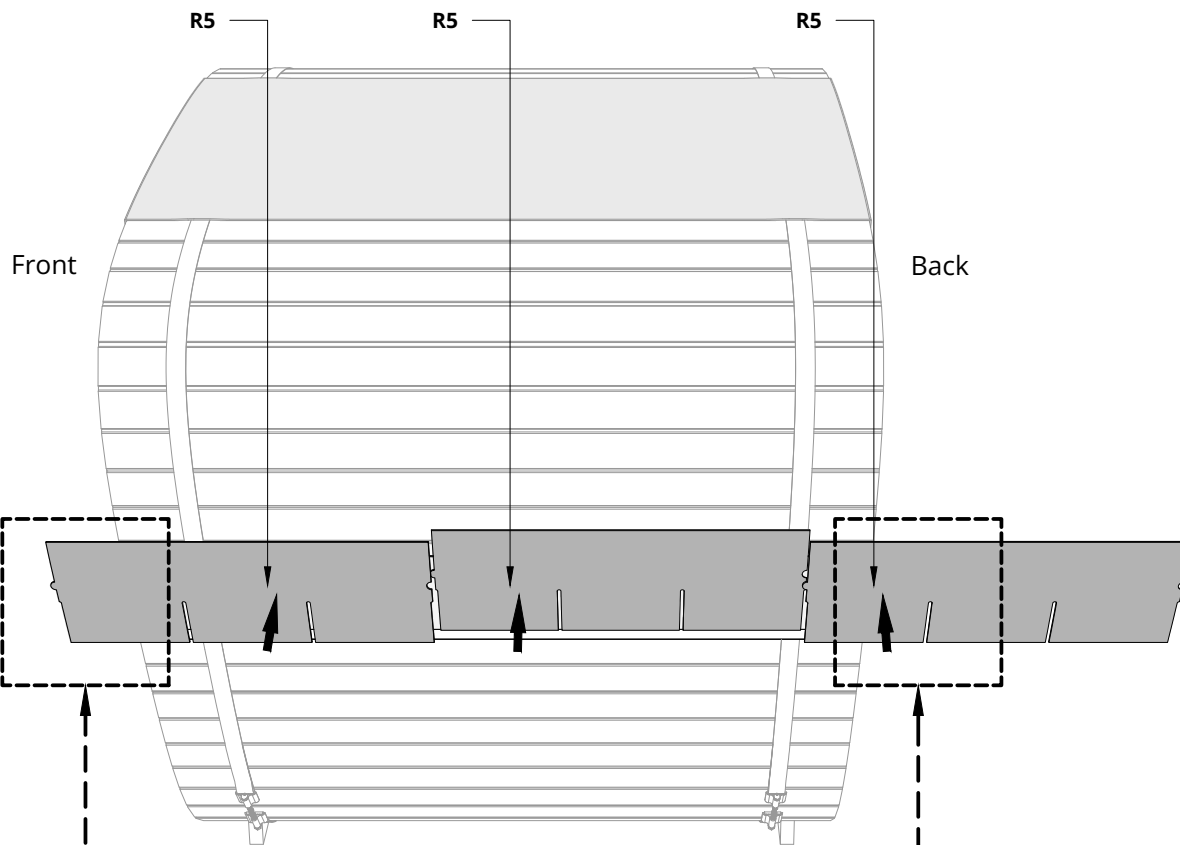
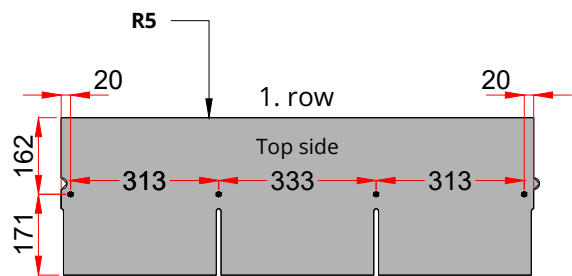
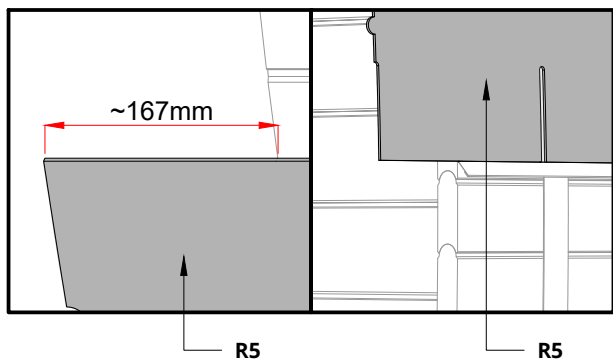
The 1. row starts at the front and offset!

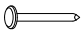
Cut sheets that extend over the edge!

Suitable leftovers can be used!

Repeat these steps on the other side as well!

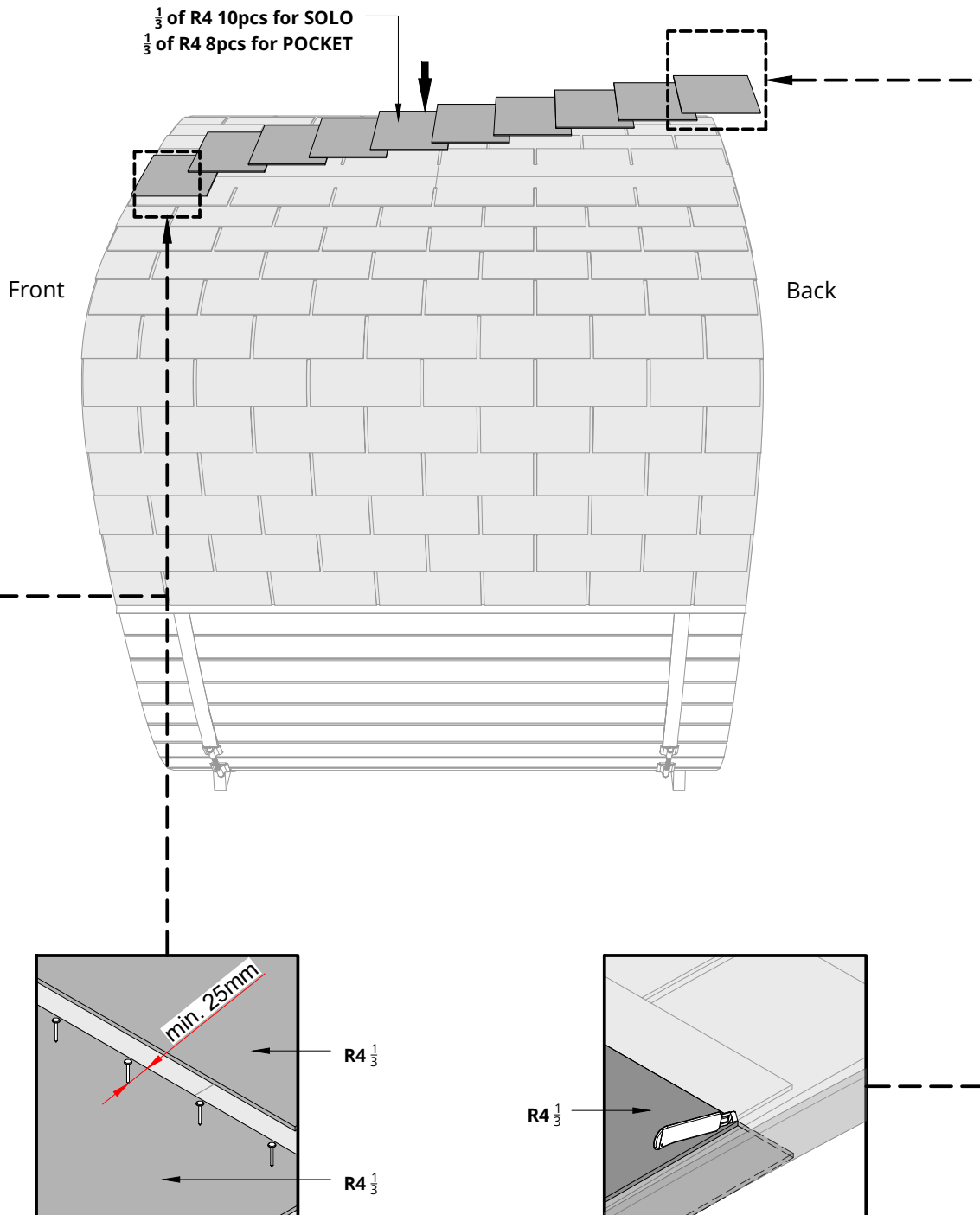
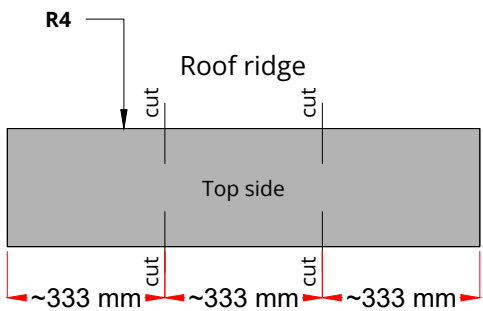
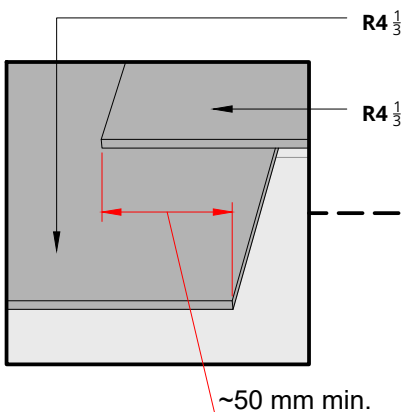
Recommendation for proper installation are in separate pages.




R6	Nail 2,5x25	~40
		

Sheets are self-adhesive, for better adhesion use a heat source!  
 The roof ridge can be started from the back end of the sauna or from the front end!  
 Cut sheets that extend over the edge!

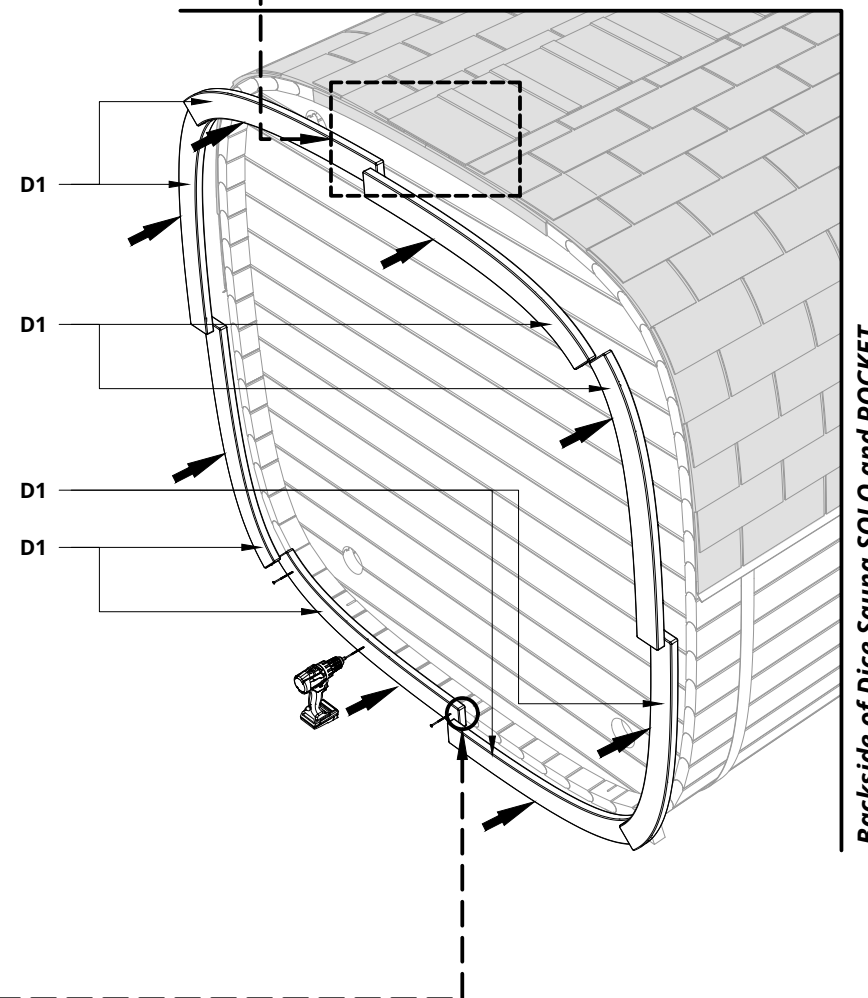
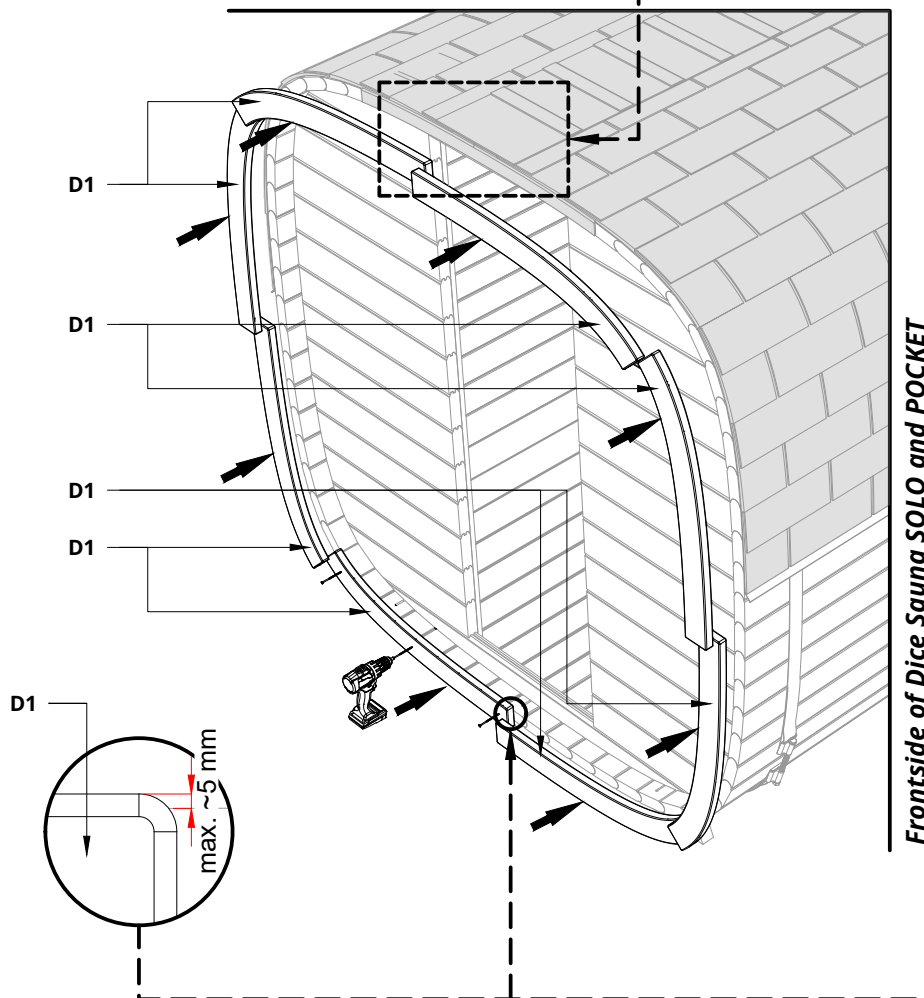
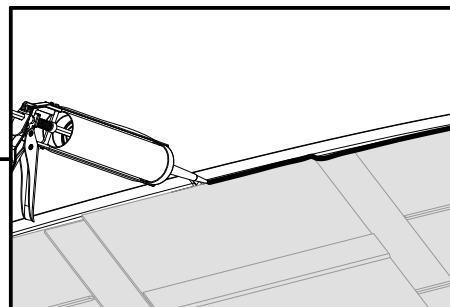
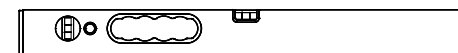
Recommendation for proper installation are in separate pages.




S6.1	Screws 4,2x75	48
		

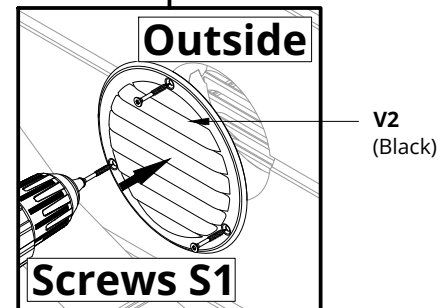
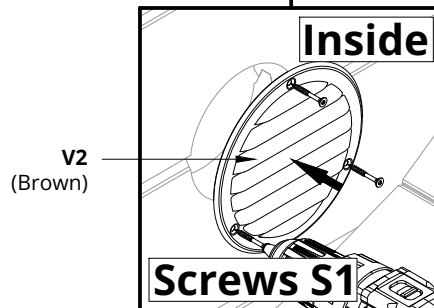
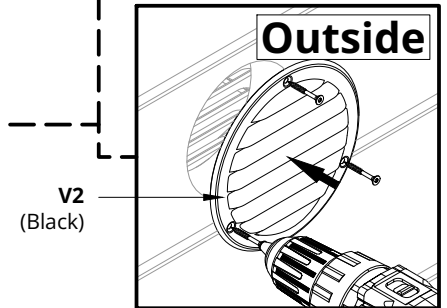
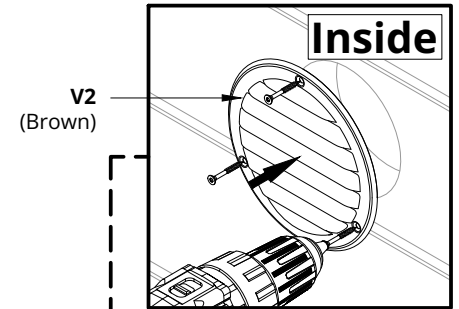
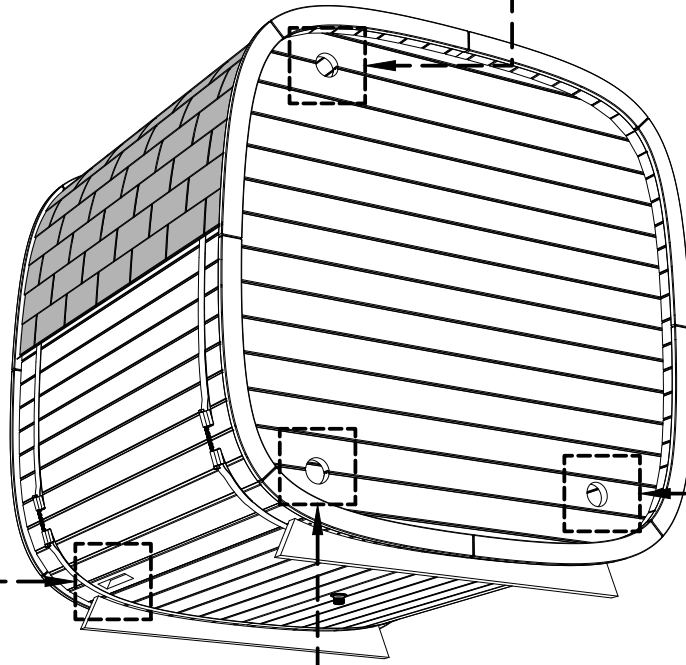
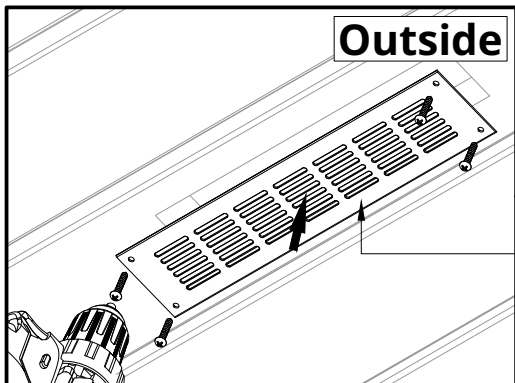
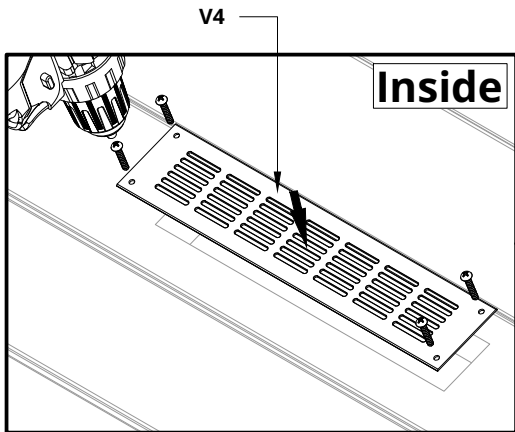
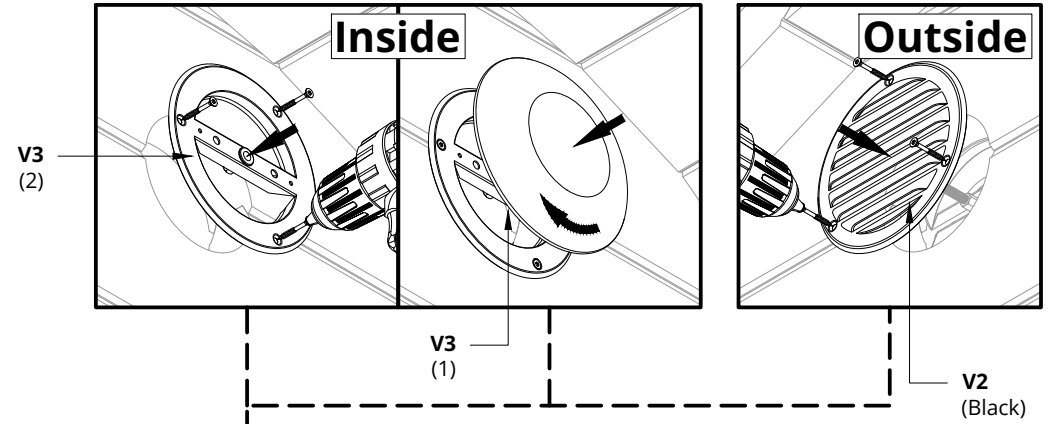
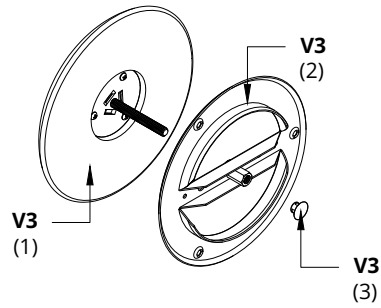
**Please countersink the screw head(s)!**  
**Install the cover boards with 3 screws!**  
**Add glue for the 2 lower cover boards!**  
**Fill the gaps between the bitumen sheets and covering boards in front and back!**


NB! use a level



S1	Screws 3x30	26
		

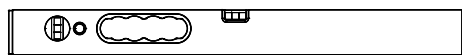
The inner and outer ventilation grilles V2 and adjustable cover V3 are screwed with 3 screws.



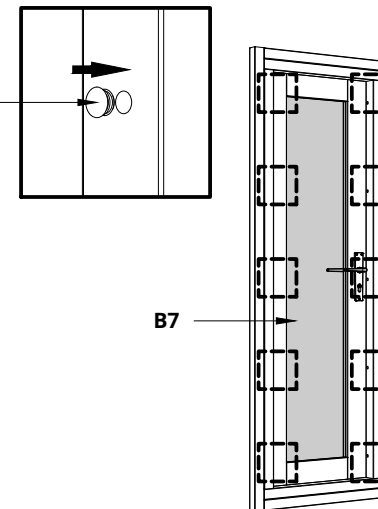
S6.2	Screws 4,2x75	18
S3.2	Screws 4,5x50	14
		

**Please countersink the screw head(s)!**  
**Insert hole cover P if they are not attached!**  
**Remove the front wall connection strips!**  
**Install the door from the inside!**  
**Install windows (If ordered)(Only for woodwall)!**  
**Install door moldings!**

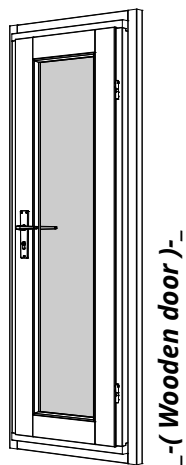
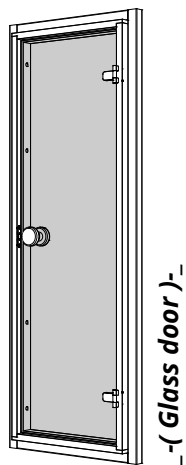
NB! use a level



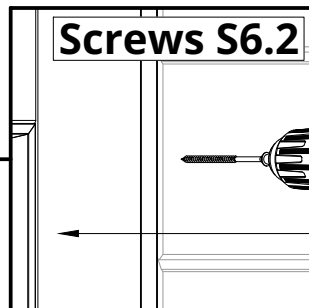
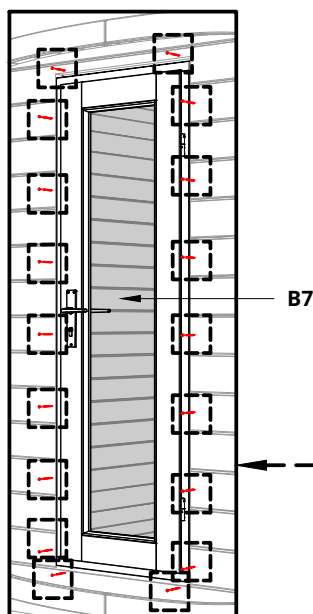
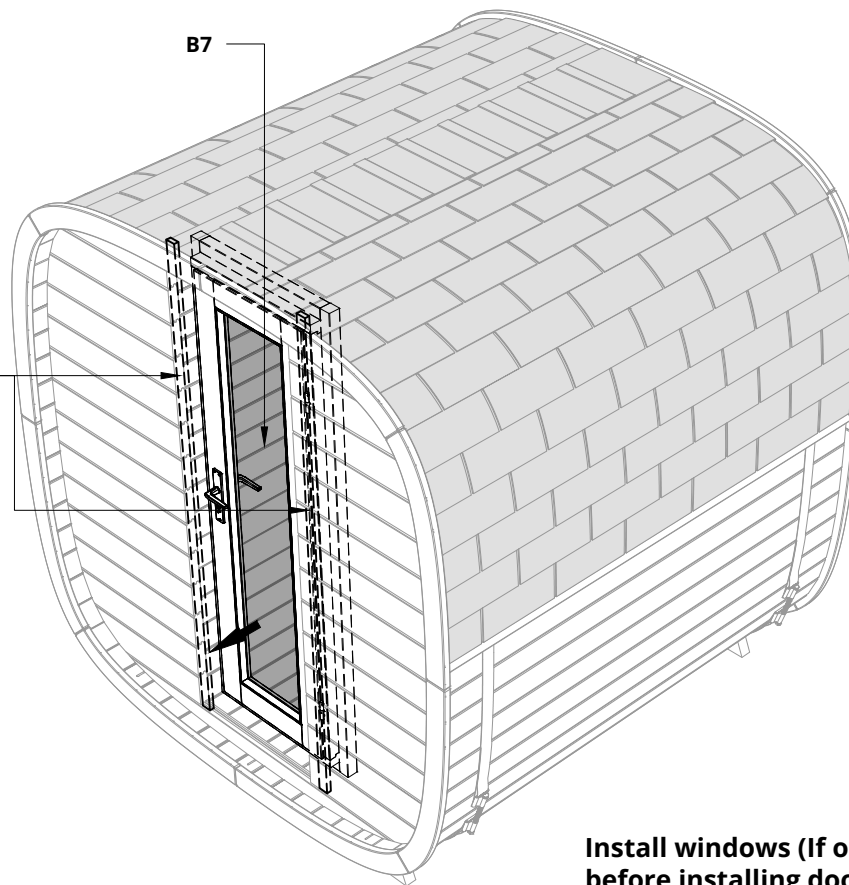
Insert hole cover P if they are not attached!



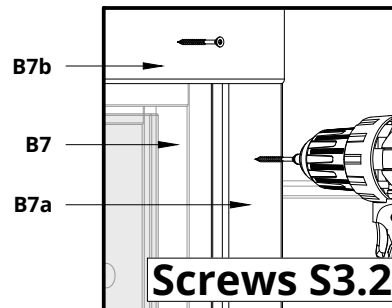
B7 depends on the choice of order



Remove the front wall connection strips

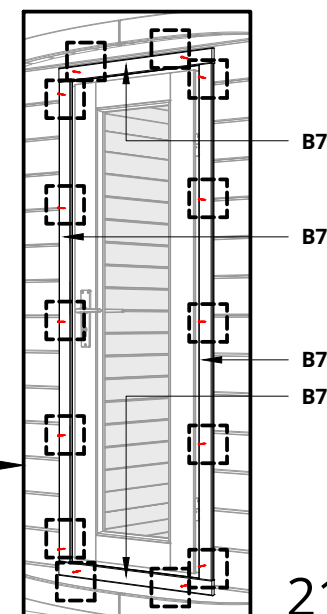



**Install windows (If ordered), before installing door moldings!**  
**Installation on the pages 22-23**



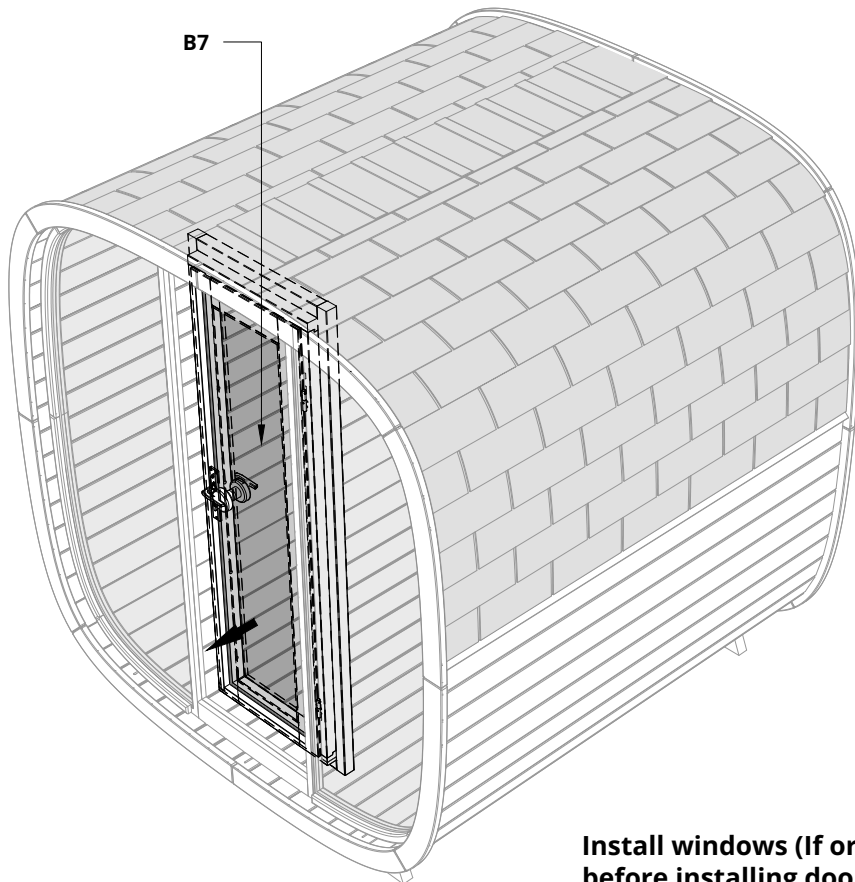
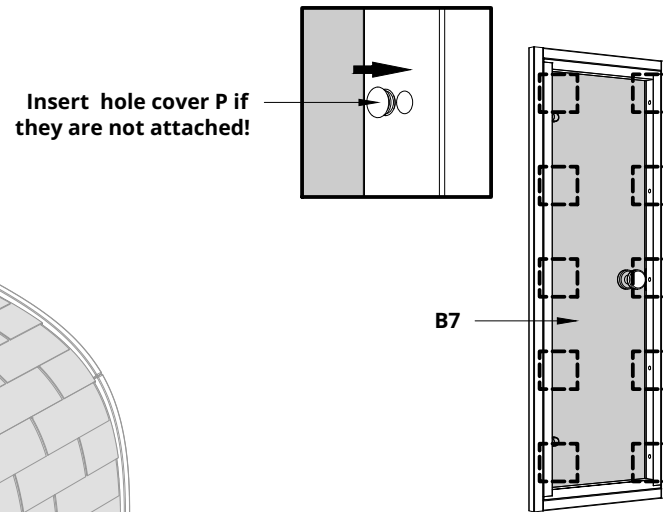
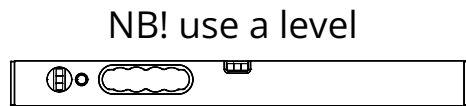
**Notice!**

Drill 4mm hole for the screws in the door moldings before screwing.

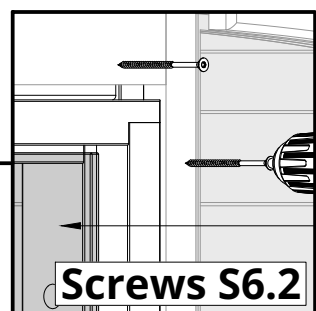
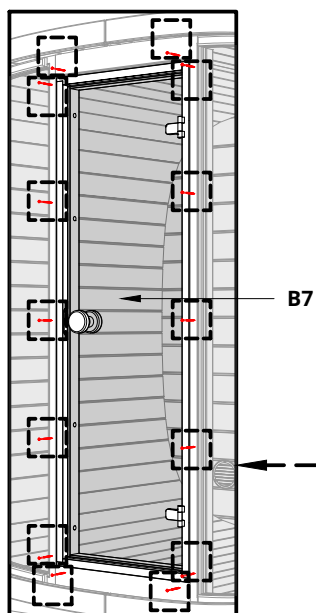
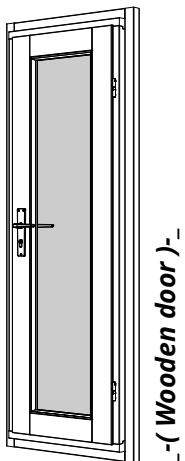
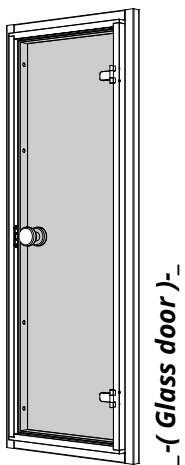


S6.2	Screws 4,2x75	14
S3.2	Screws 4,5x50	14
		

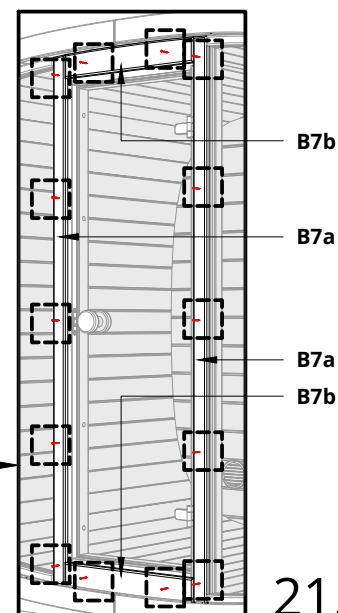
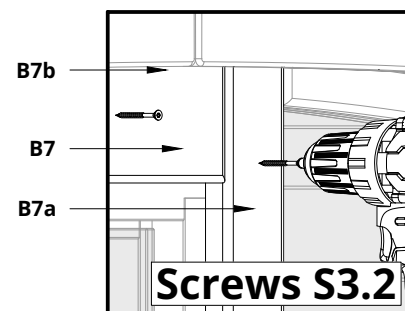
**Please countersink the screw head(s)!**  
**Insert hole cover P if they are not attached!**  
**Door installation for the glass wall!**  
**Install the door from the inside,**  
**Install door moldings!**




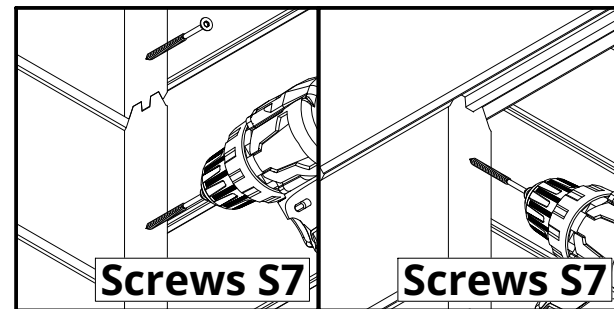
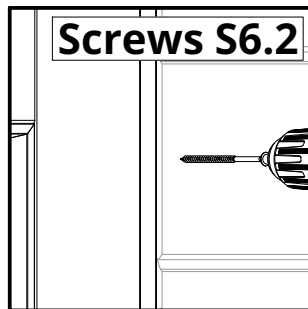
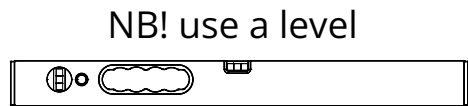
B7 depends on the choice of order



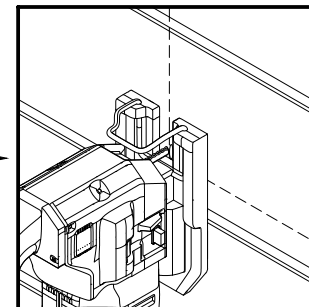
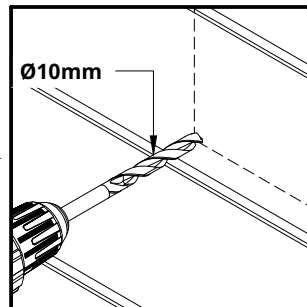
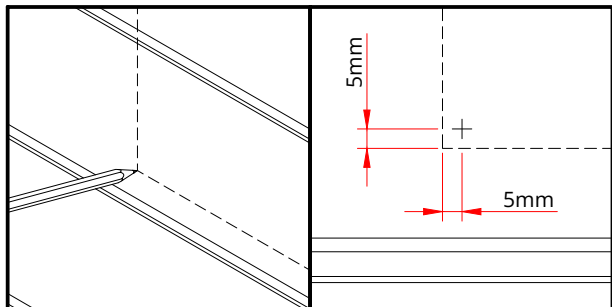
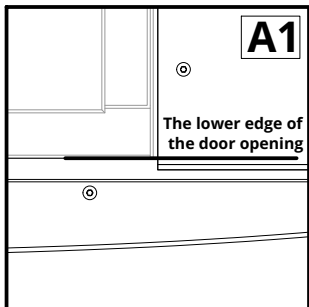
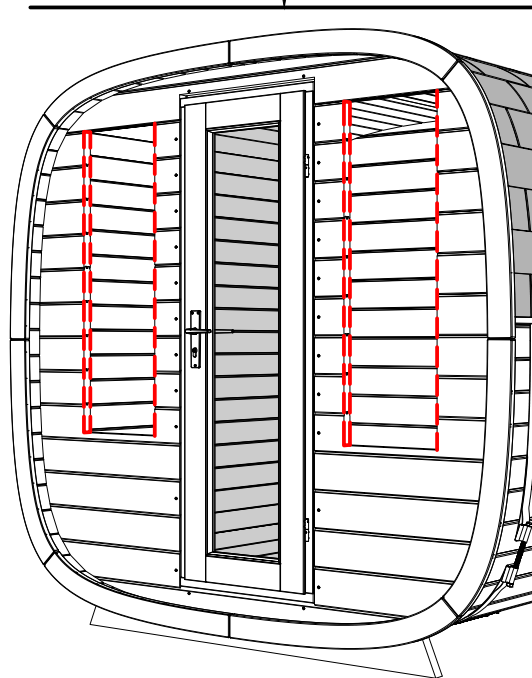
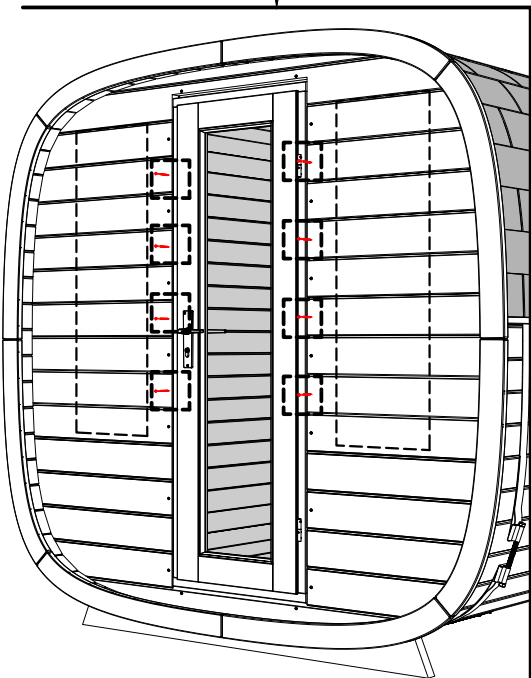
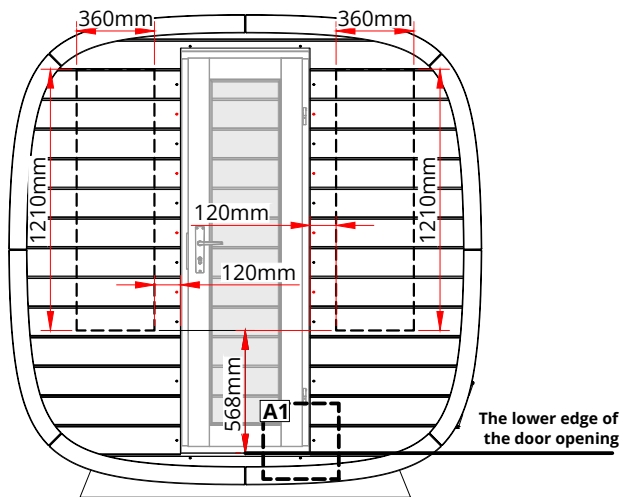
**Install windows (If ordered),  
before installing door moldings!**  
**Installation on the pages**




S6.2	Screws 4,2x75	8
S7	Screws 4,5x80 for Spruce Screws 4,2x75 for Thermo	36
		



**Please countersink the screw head(s)!  
Only for the wooden front wall!**  
Add some extra screws the locations shown in the picture!  
Measure and mark the window(s) locations if they are unmarked or vanished!  
Drill holes in the corners of the marked area!  
Cut the holes!  
Attach the pieces of boards together on the door side!

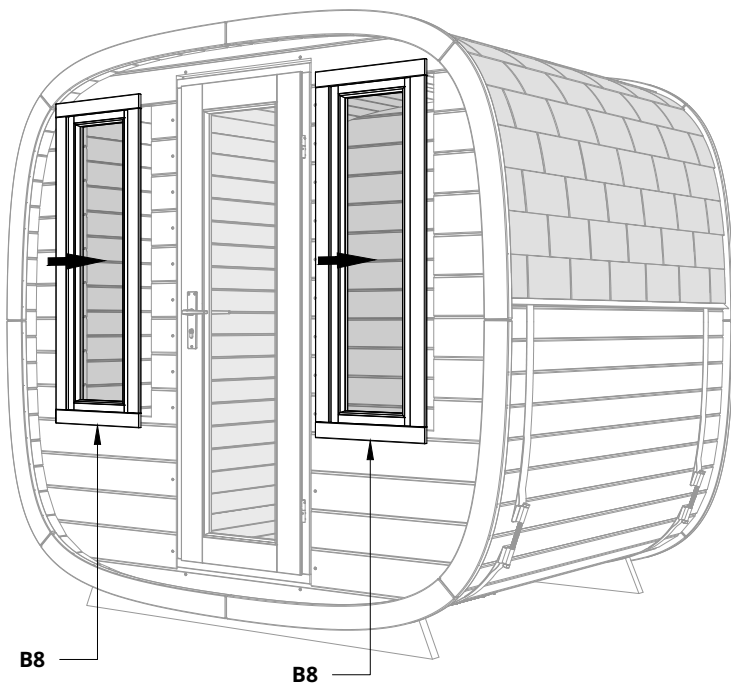


S2	Screws 3x40	28
S3.2	Screws 4,5x50	24
		

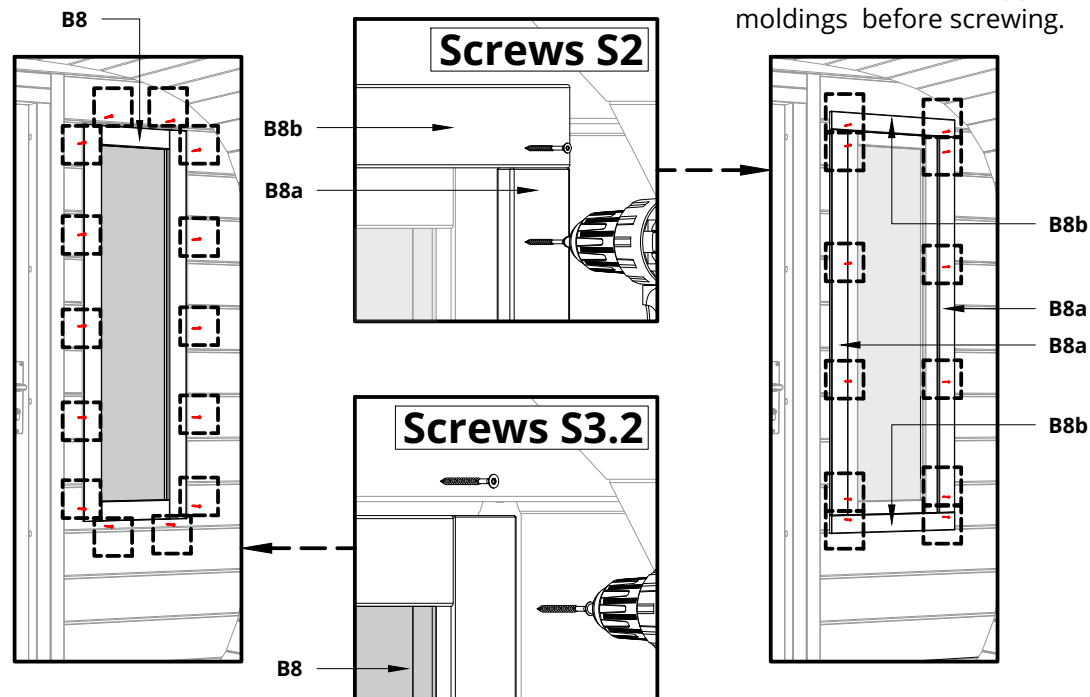
NB! use a level



**Please countersink the screw head(s)!**  
**Install the windows from the outside, fasten with screws!**  
**install window moldings!**



*The same steps on the right and left windows*



**Notice!**

Drill small holes for the screws in the window(s) moldings before screwing.

**Continue on page 20.1 to install the door moldings!!**

# DOOR ADJUSTMENT MANUAL

## 1) Vertical adjustment of the door sash

The hinge on the side of the sash has a height adjustment bolt (fig.1), from which is possible to adjust the distance between the hinges. Turning clockwise, the hinges move further apart, and the door sash moves higher. It must be remembered that all hinges should be equally set at the same height, so as not to burden just one hinge.



**Fig.1** Sash hinge height adjustment bolt

## 2) Horizontal adjustment of the door sash

The horizontal adjustment of the door sash can be done through the hinge on the frame (fig.2). Turning the bolt clockwise moves the sash closer to the hinge, turning counter-clockwise, moves the sash away from the hinge. The door sash should be adjusted so that the frame is at an equal distance from the edge of the frame. When turning the bolt, you should manually support the sash in the same direction so as not to bend the hinge.



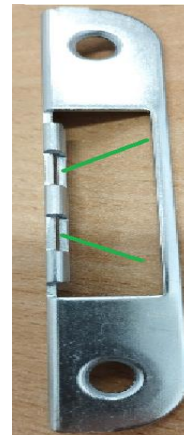
**Fig.2** Frame horizontal direction adjustment bolt

### 3) Adjusting the depth of the door frame

The distance of the door sash to the door frame can be adjusted both by the hinges (fig.3) and by the lock (fig.4). The distance between the sash and the frame can be adjusted by the hinges by turning the bolt in Fig.3 – clockwise, the sash moves closer to the frame, counter-clockwise further. The distance between the door sash and the frame on the lock side can be adjusted by bending the metal “ears” in figure 4 apart with a screwdriver. If necessary, the “ears” can also be bent back with a screwdriver.



**Fig.3** Door sash depth adjustment bolt



**Fig. 4** Depth adjustment points on the lock side

### 4) Door finishing guide

- Clean the door from dust and dirt
- Remove or cover the lock, handles and hinges
- The product to be finished, must be dry and dust-free
- Finish the door with a suitable primer (NB! Finish both sides of the door)
- Finish the door with a substance suitable for outdoor conditions

**Finishing is important so that the door maintains smooth closing and is durable in outdoor conditions.**

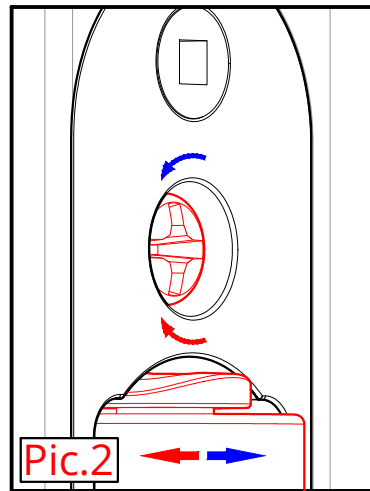
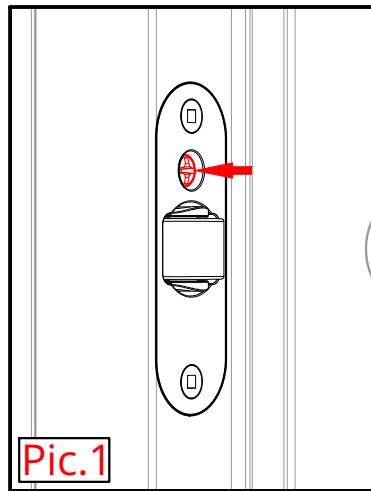
## ADJUSTMENT OF THE ROLLER-LOCK

### Tools required for adjustment:

- PH2 screwdriver required

### Adjustment guide:

- The roller lock can be adjusted by turning the screw indicated by the **red arrow** (shown in Pic.1).
- Turning **clockwise** moves the roller inward (shown by **red arrows** in pic.2) and turning **counter-clockwise** moves the roller outward (shown by **blue arrows** in pic.2).
- The roller should be adjusted so that the **glass moves freely** behind the roller without applying force.
- The roller lock adjustable screw must be always on the upper side of the roll, otherwise the door may get stuck.



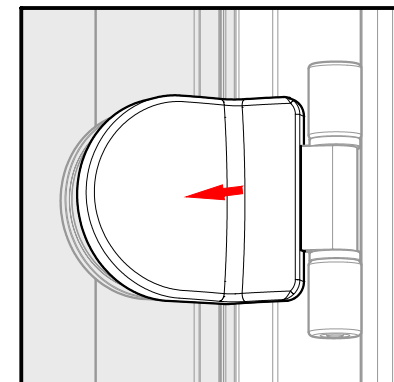
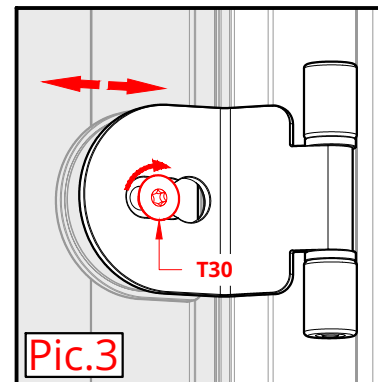
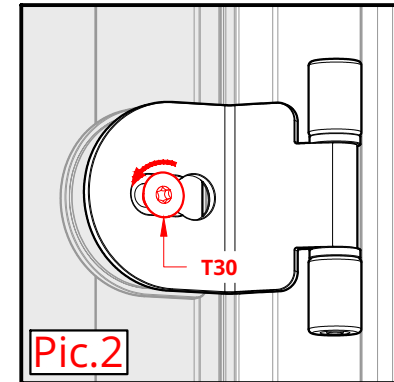
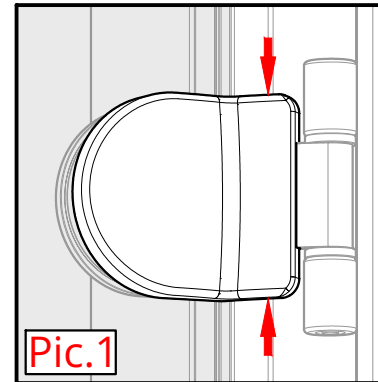
## ADJUSTING THE HINGES

### Tools required for adjustment:

- T30 (Torx30) Allen wrench or hexagon Bit T30 (Torx30)
- Cordless drill (if Torx Allen wrench is not available)

### Adjustment guide:

- Remove plastic from hinges. To remove plastic, start lifting from the locations indicated by the **red arrows** (shown in Pic.1).
- Loosen the bolt slightly (shown in Pic.2). (**DO NOT OPEN COMPLETELY**)
- If both hinge bolts are slightly loosened, then it is possible to move the glass in the directions shown in Pic.3.
- If the glass is set to the required distance, the bolts must be tightened again (shown in Pic.3). **Put the cover back on!**



# ADJUSTING ABLOY HINGES FOR GLASS DOORS

## Features:

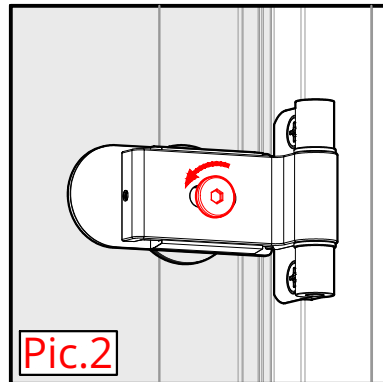
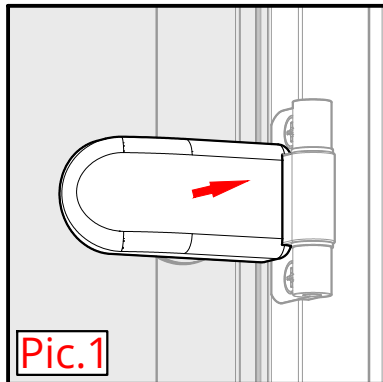
- The ABLOY FL 65 SSD Fe is a glass door hinge with lateral adjustment of +/- 3 mm.
- The hinge load capacity is approximately 40 kg when using two hinges.

## Tools required for adjustment:

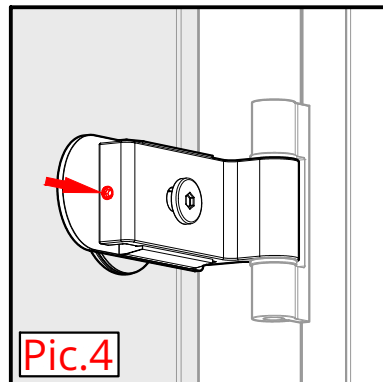
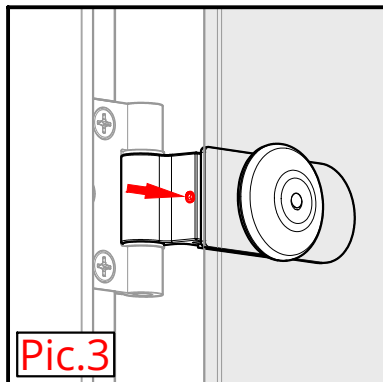
- 5mm Allen wrench or hexagon Bit SW5
- 3mm Allen wrench or hexagon Bit SW3
- Cordless drill (if Allen wrenches (*hexagon wrenches*) are not available)

## Adjustment guide:

- Remove the plastic cover from the hinges (*Cover removal, in the direction indicated by the arrow as shown in the Pic.1*). Loosen the bolt slightly (*shown in the Pic.2*) (**DO NOT UNSCREW COMPLETELY**).

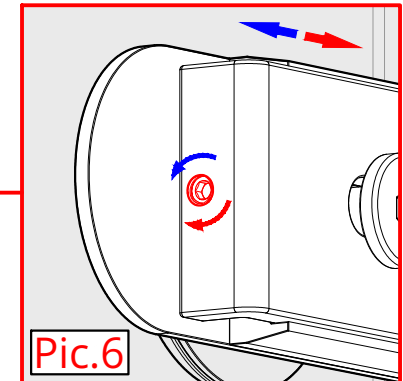
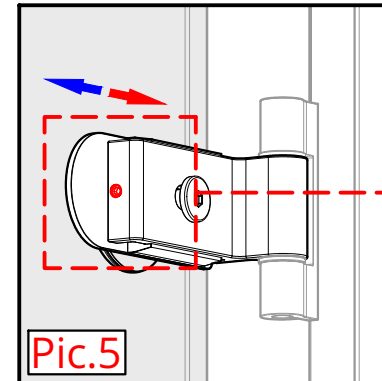


- To adjust the hinges, you need to turn the screws (*shown in the Pic.3 and 4*) with a 3mm allen wrench or a hexagon bit SW3.

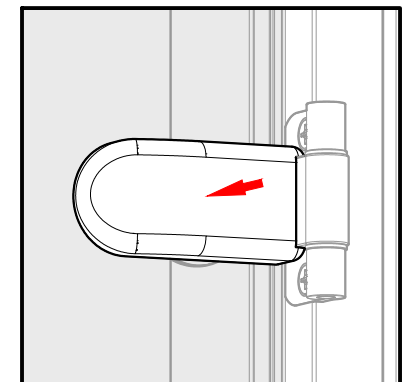
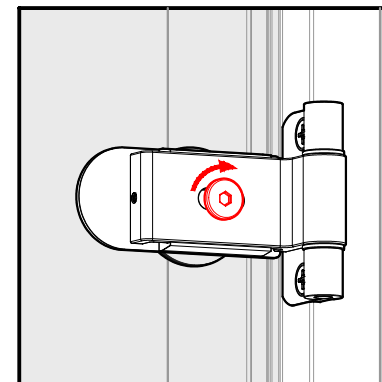


The direction of the glass movement depends on the direction the screw is turned (*assuming the screw on the other side has been loosened*):

- Turning the screw **clockwise** (*shown by red arrows in pic. 5 and 6*), the glass moves closer to the hinges.
- Turning the screw **counterclockwise** (*shown by blue arrows in pic. 5 and 6*), the glass moves away from the hinges.
- Afterwards, tighten the screw on the other side.



- If the hinges are adjusted, tighten the larger bolt. **Put the cover back on!**



## General recommendations:

When adjusting the hinge, it is important to be careful not to damage the glass or the hinge itself.

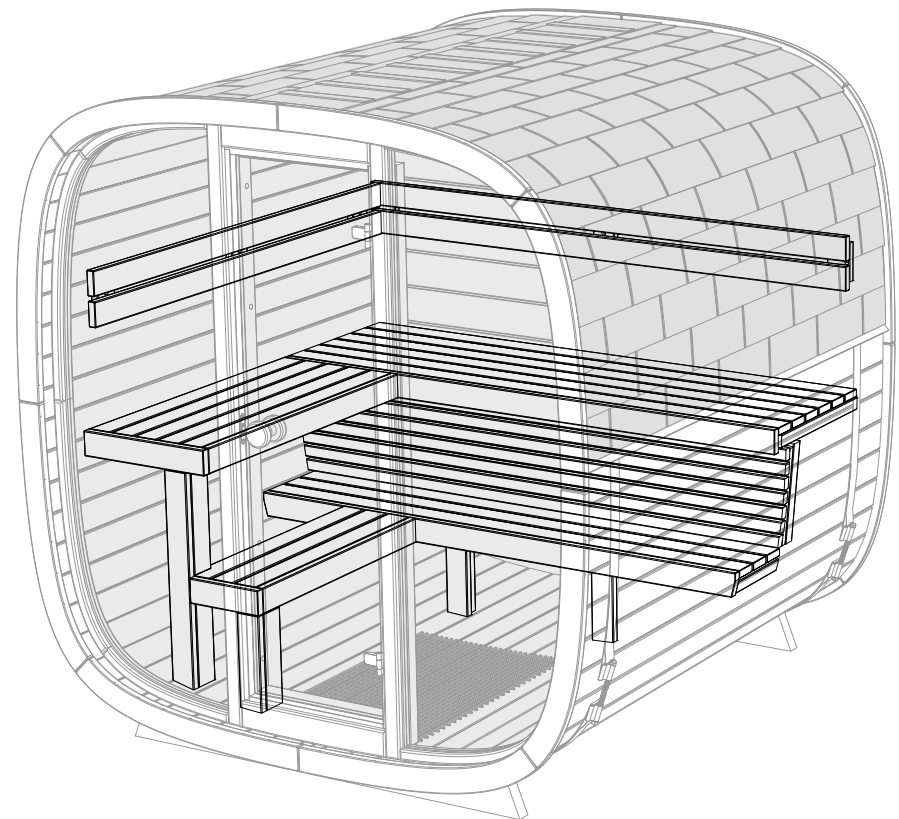
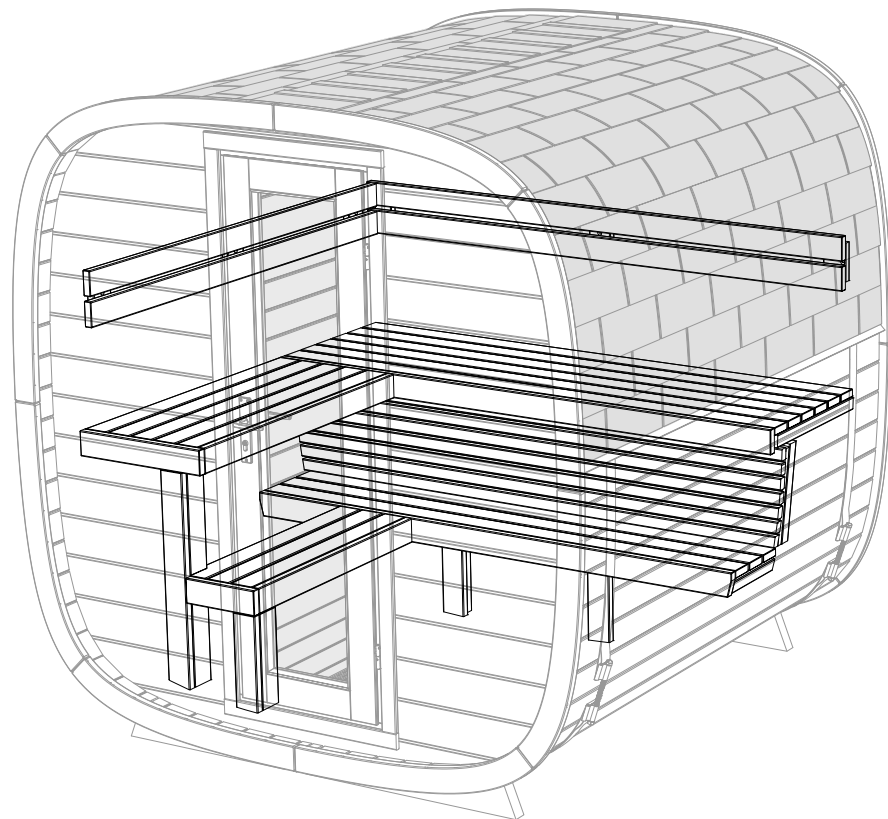


# Dice Sauna

## Bench assembly guide

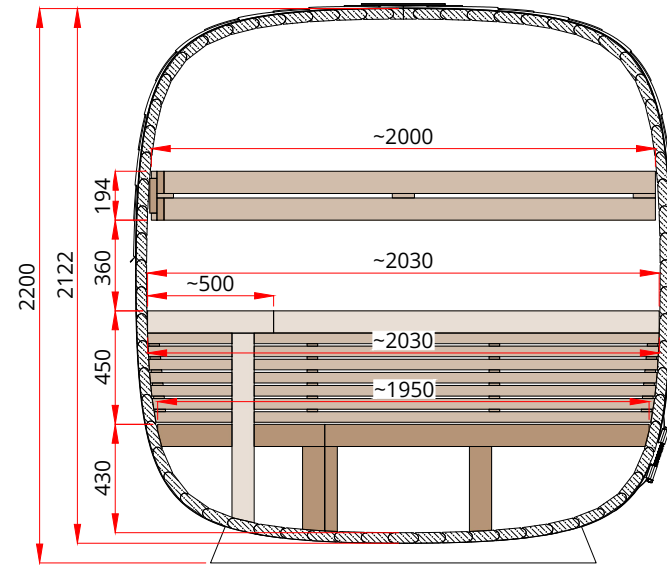
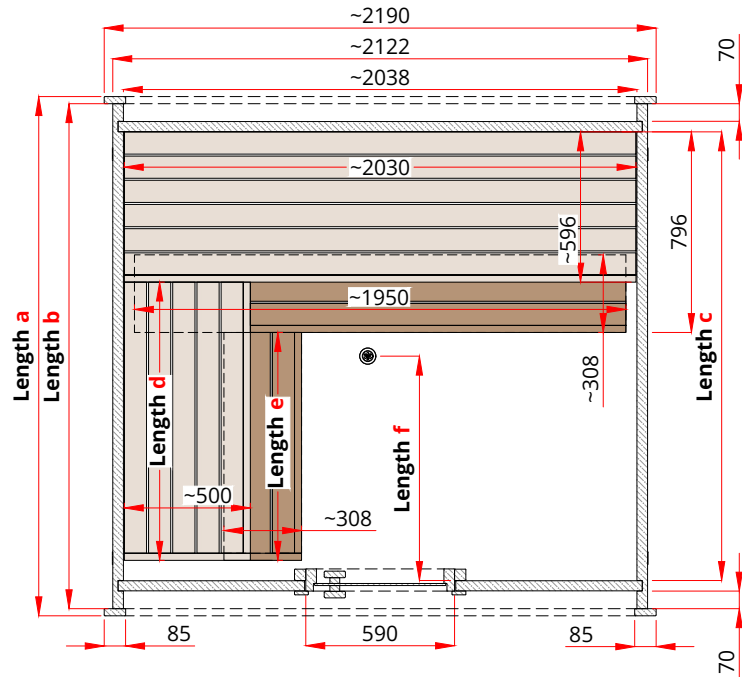
Dice Sauna SOLO and POCKET

*Compatible with all wall types construction.*



*Read the manual and check the parts for completeness before assembly!*





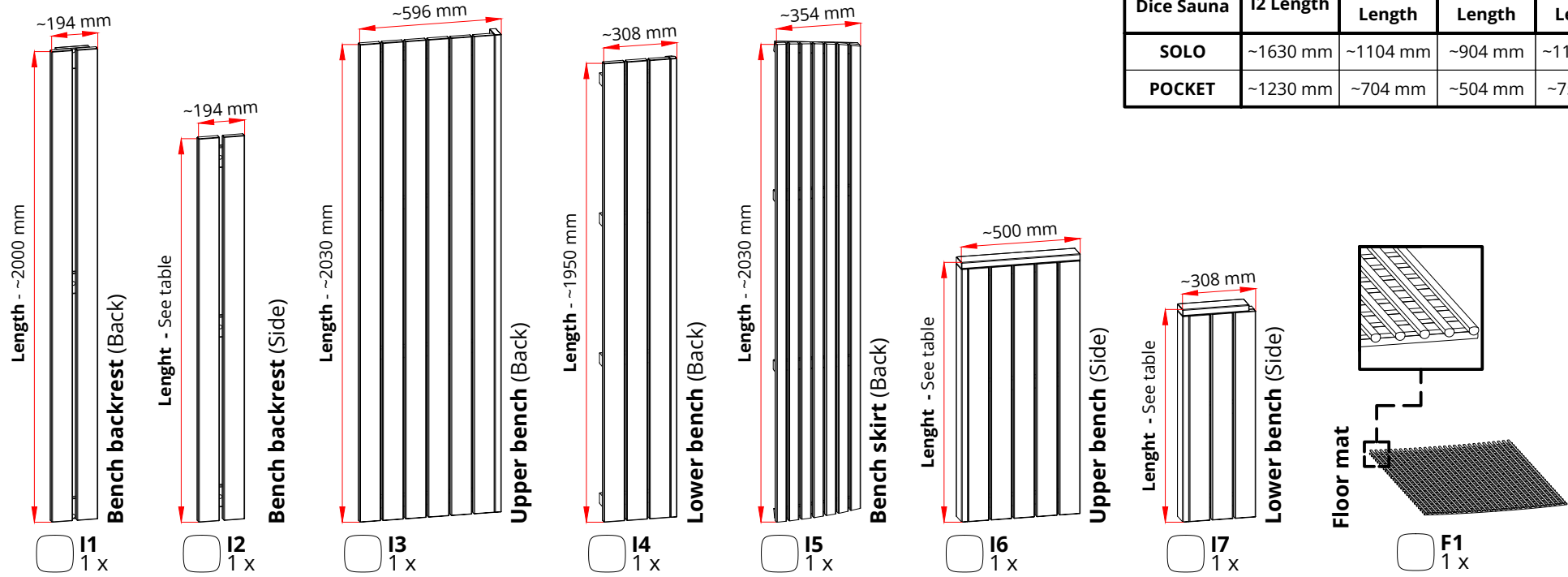
Dice Sauna	Length - a	Length - b	Length - c	Length - d	Length - e	Length - f
SOLO	~2060 mm	~2004 mm	~1780 mm	~1104 mm	~904 mm	~890 mm
POCKET	~1660 mm	~1604 mm	~1380 mm	~704 mm	~504 mm	~690 mm

# Dice Sauna

*SOLO and POCKET*

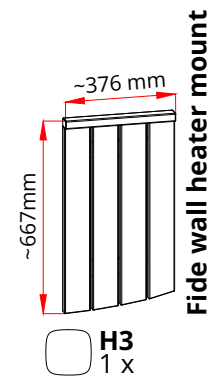
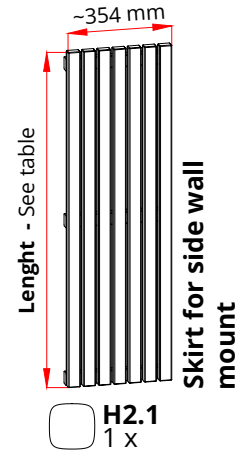
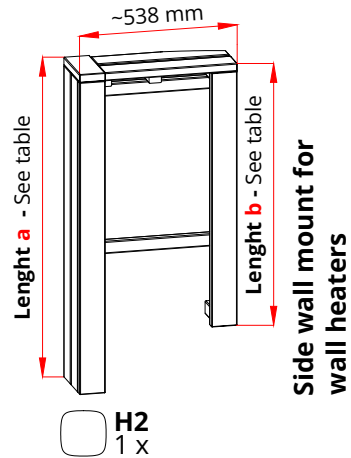
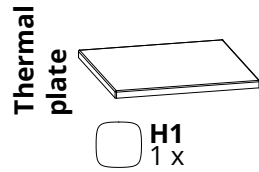
Scale 1 : 30



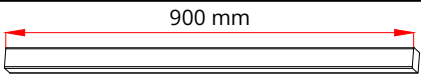
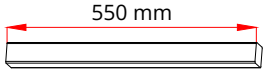
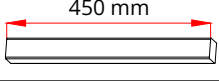
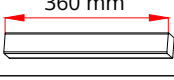
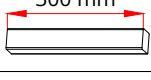
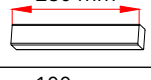
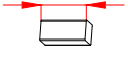


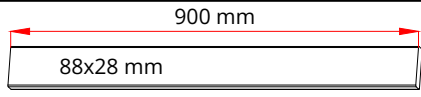
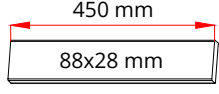
Dice Sauna	I2 Length	I6 & H2-a Length	I7 & H2-b Length	H2.1 Length
SOLO	~1630 mm	~1104 mm	~904 mm	~1156 mm
POCKET	~1230 mm	~704 mm	~504 mm	~756 mm


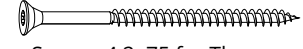

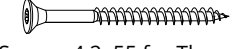
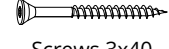
**OPTIONAL**



Detail list 1


Dice Sauna		SOLO and POCKET
Name in manual	K Square woods 45x45mm	
K90		1 <input type="checkbox"/>
K55		2 <input type="checkbox"/>
K45		4 <input type="checkbox"/>
K36		4 <input type="checkbox"/>
K30		1 <input type="checkbox"/>
K28		3 <input type="checkbox"/>
K10		3 <input type="checkbox"/>

Dice Sauna		SOLO and POCKET
Name in manual	Cover boards	
D2		1 <input type="checkbox"/>
D3		6 <input type="checkbox"/>

Name in manual	Screws (Scale 1:2)/ Screw size	Qty.
S7	 Screws 4,5x80 for Spruce	40 <input type="checkbox"/>
	 Screws 4,2x75 for Thermo	
S5	 Screws 4,5x60 for Spruce	50 + *14 <input type="checkbox"/> **8 <input type="checkbox"/>
	 Screws 4,2x55 for Thermo	
S2	 Screws 3x40	5 <input type="checkbox"/>
		<input type="checkbox"/>

\* (Optional) for side wall mount.  
\*\* (Optional) for front wall mount.

## Detail list 2

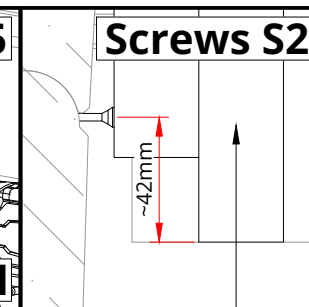
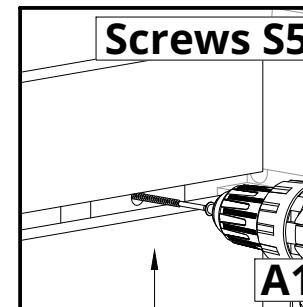
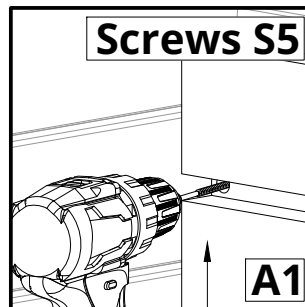
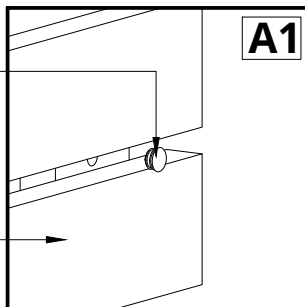
S2	Screws 3x40	3
S5	Screws 4,5x60 for Spruce Screws 4,2x55 for Thermo	6
S7	Screws 4,5x80 for Spruce Screws 4,2x75 for Thermo	12
		

NB! use a level

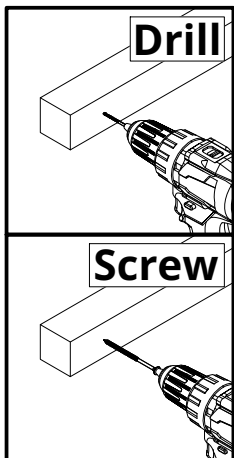
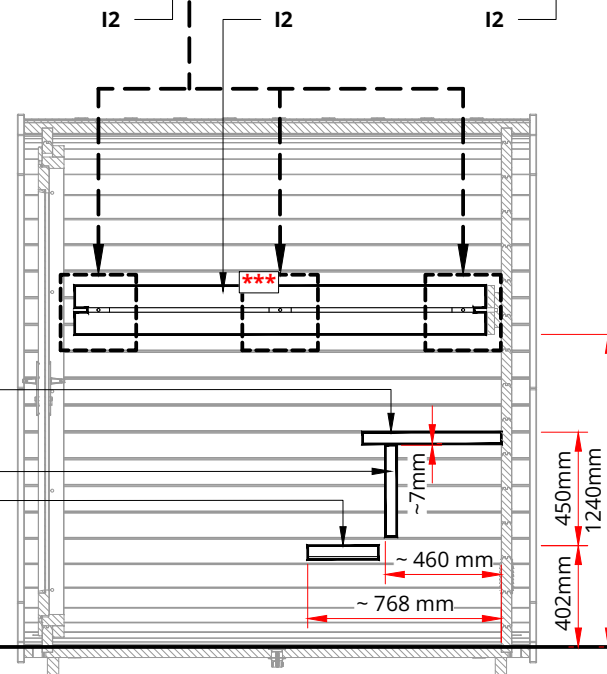
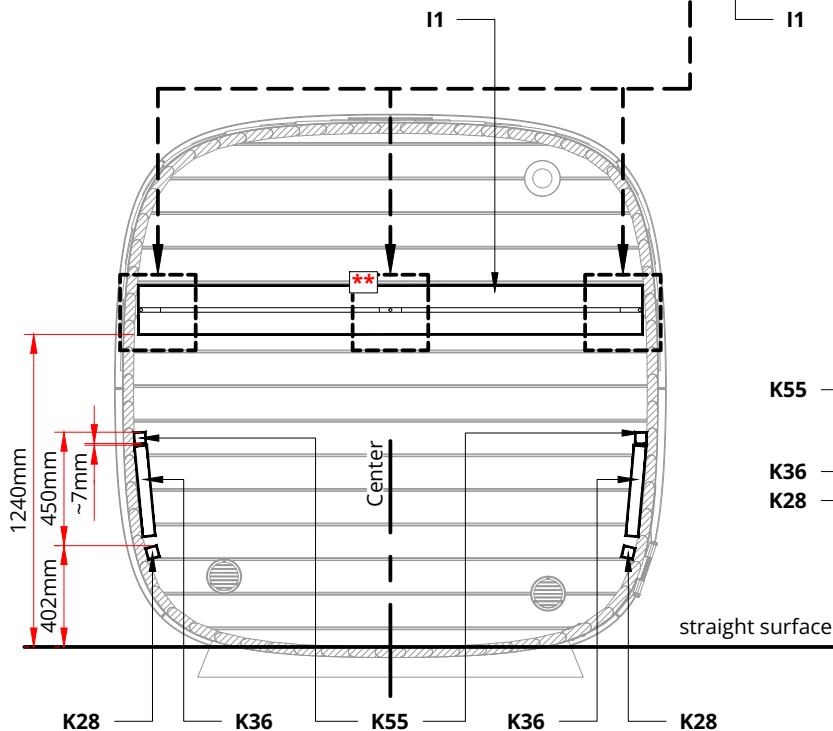


1. Remove hole cover P if they are attached!
2. Screw the bench backrest
3. Put the hole cover P back

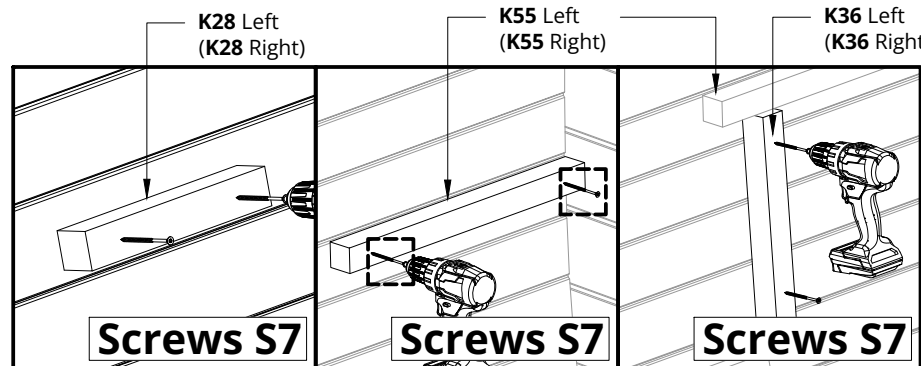
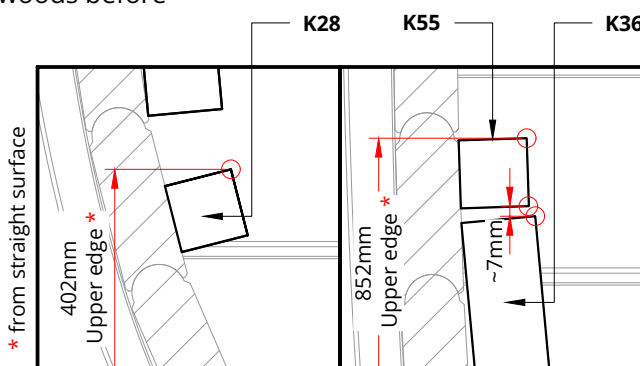
I1 and I2




**\*\* Only use screws if the wall is not a panoramic wall!**  
**\*\*\* Only for Dice Sauna SOLO!**  
**Please countersink the screw head(s)!**  
**Height measurements are measured from a straight surface!**  
**Install the bench backrests I1 and I2!**  
**Install square woods for benches!**  
**Use glue between the square wood and the wall!**

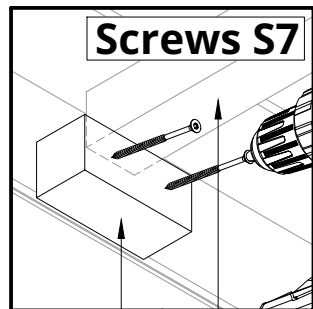


**Notice!**  
 Drill 4mm hole in the K.. square woods before screwing.

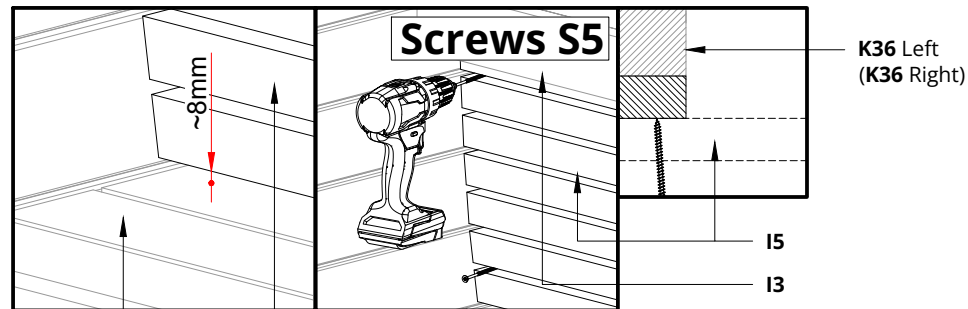


S5	Screws 4,5x60 for Spruce Screws 4,2x55 for Thermo	12
S7	Screws 4,5x80 for Spruce Screws 4,2x75 for Thermo	12
		

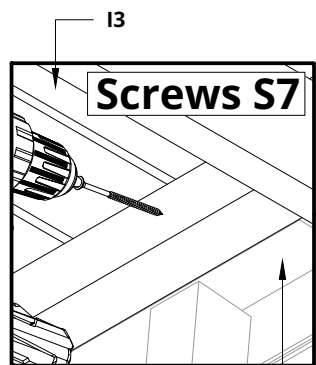
**Please countersink the screw head(s)!**  
**Install the bench I3 and square wood K10!**  
**Use glue between the square wood and the wall (only K10 square wood)!**  
**Install the bench I4, legs K45 and the legs cover boards D3!**  
**Install benches skirt I5!**



K10 I3

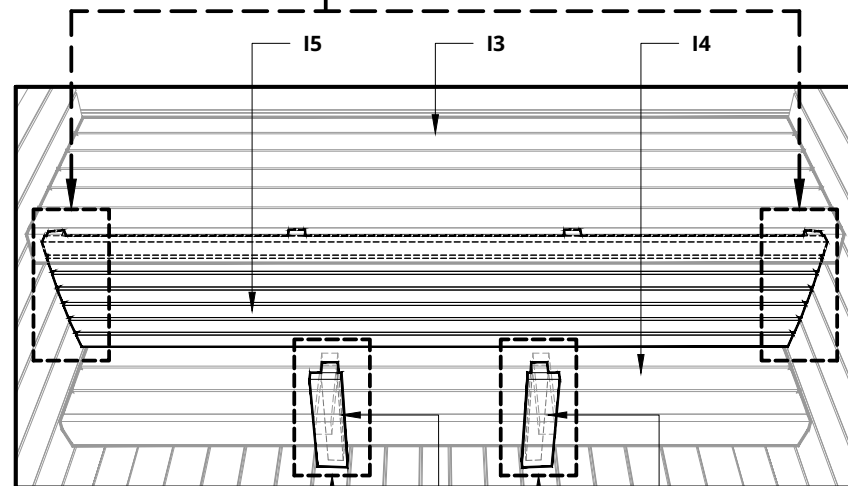
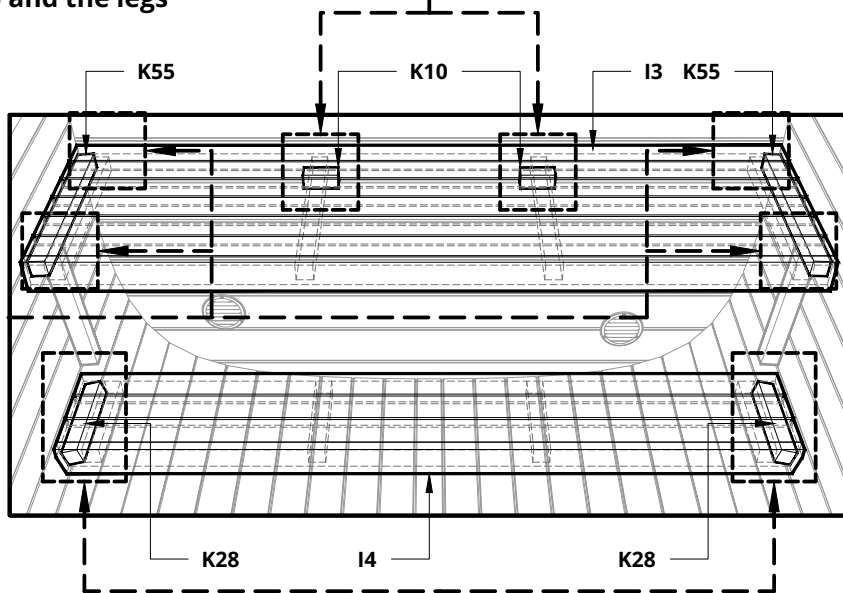


I4 I5

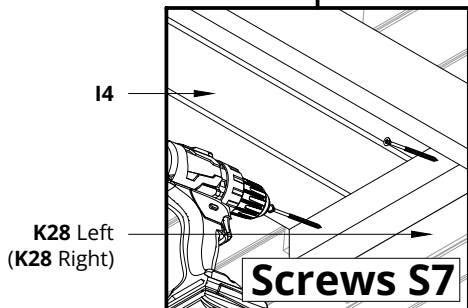
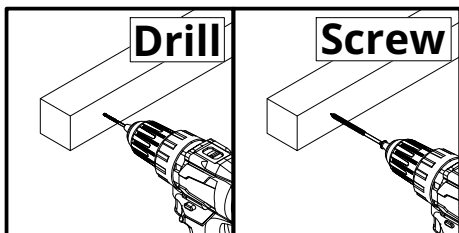


Screws S7

K55 Left (K55 Right)

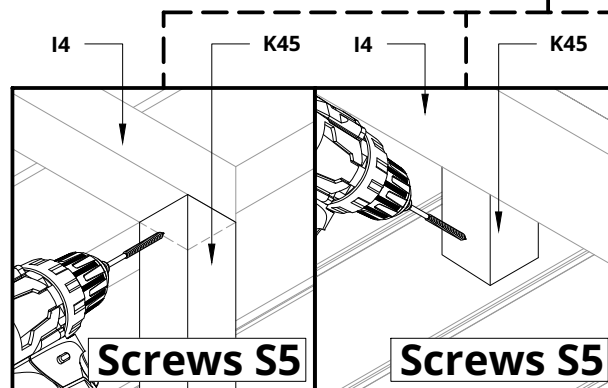


**Notice!**  
 Drill 4mm hole in the K.. square woods before screwing.



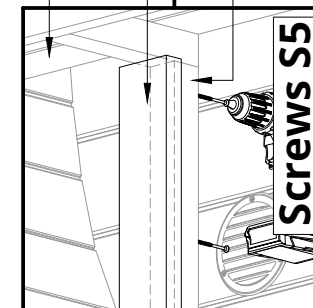
K28 Left (K28 Right)

Screws S7




Screws S5

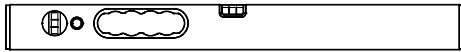
Screws S5



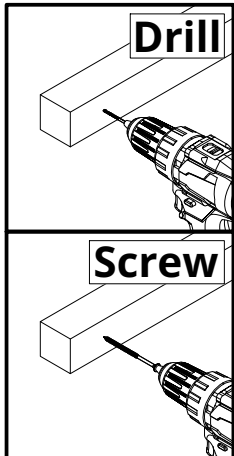
Screws S5

S5	Screws 4,5x60 for Spruce Screws 4,2x55 for Thermo	4
S7	Screws 4,5x80 for Spruce Screws 4,2x75 for Thermo	2
		

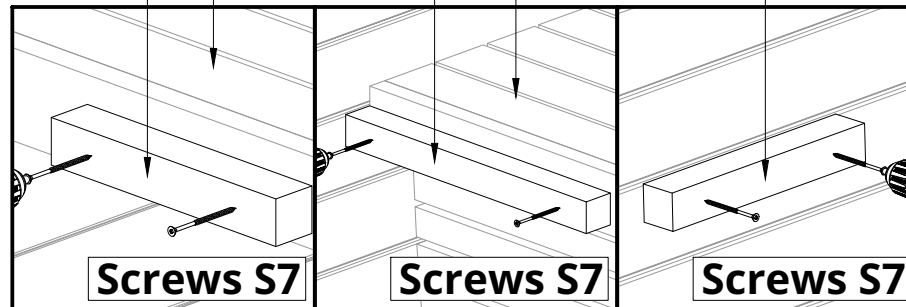
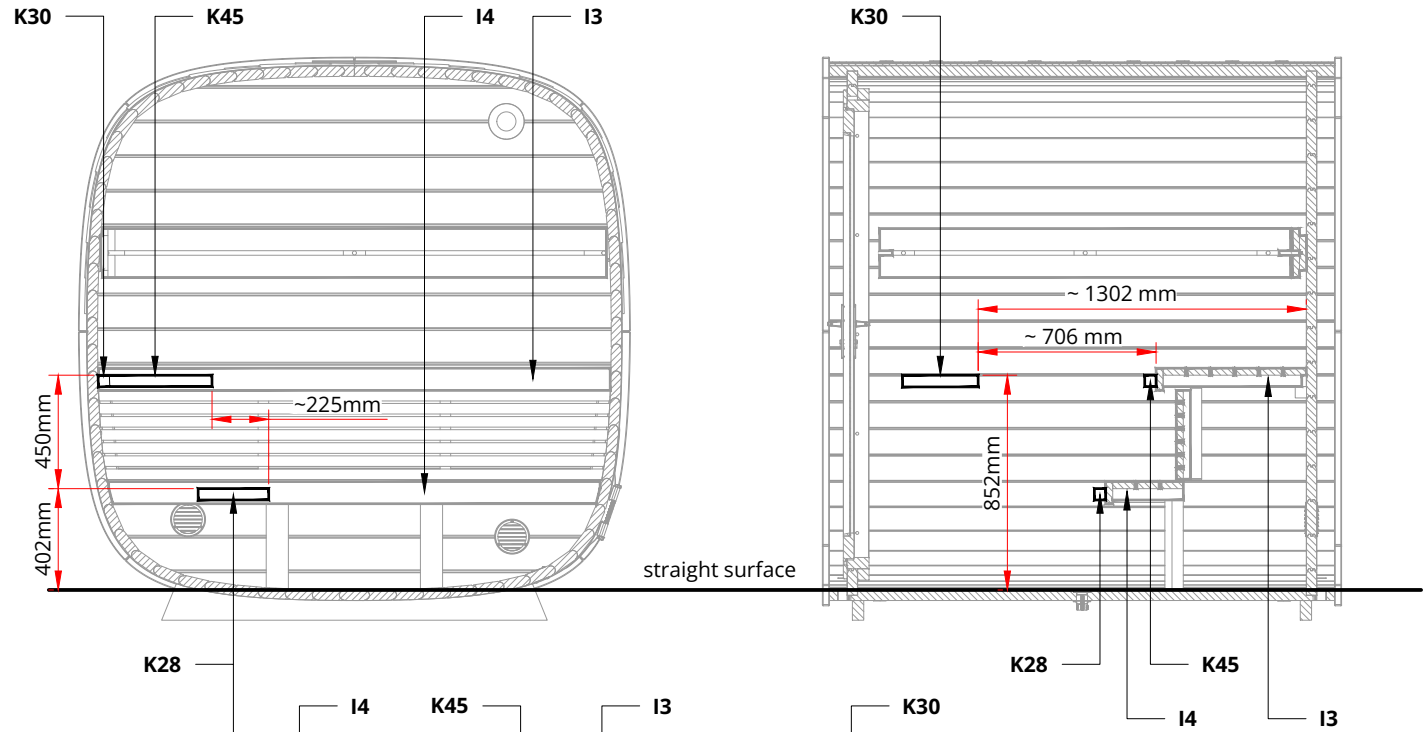
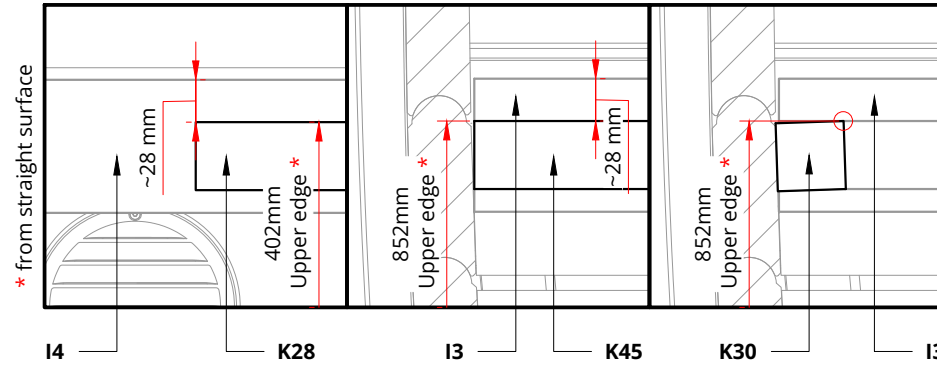
**NB!** use a level




**Please countersink the screw head(s)!**  
**Height measurements are measured from a straight surface!**  
**Install square woods for benches!**  
**Use glue between the square wood and the wall!**

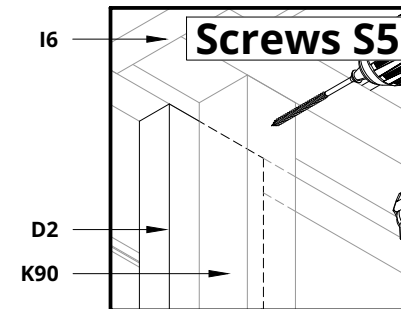
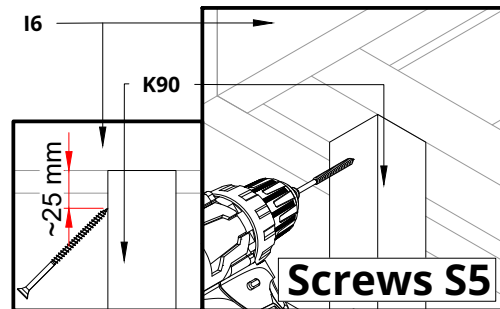
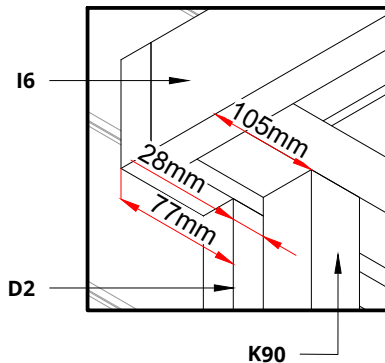
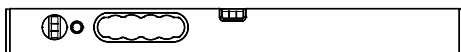


**Notice!** Drill 4mm hole in the K.. square woods before screwing.



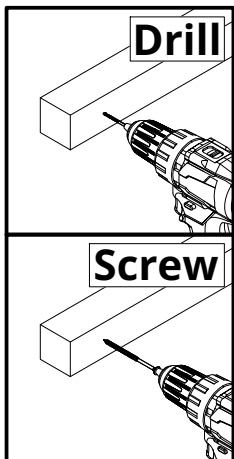
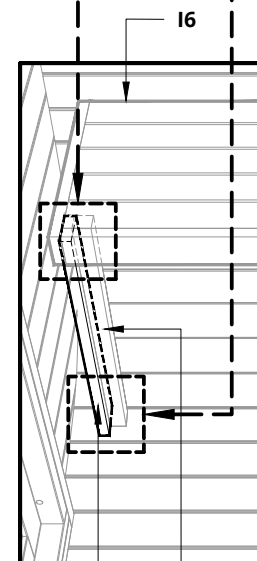
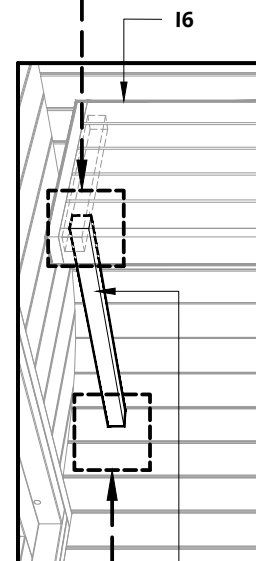
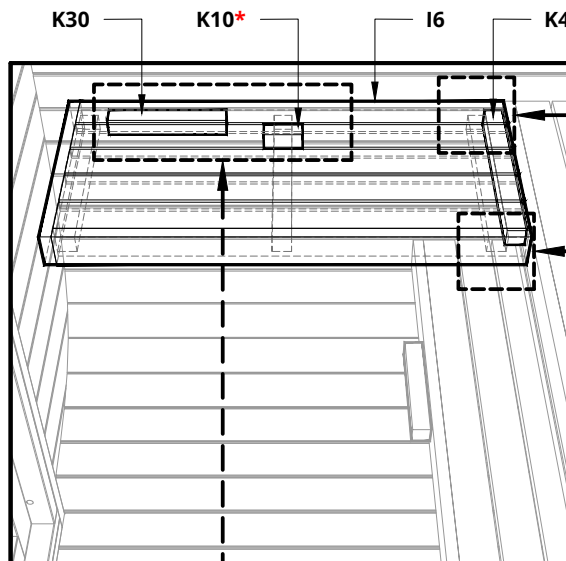
S5	Screws 4,5x60 for Spruce Screws 4,2x55 for Thermo	6
S7	Screws 4,5x80 for Spruce Screws 4,2x75 for Thermo	4
		

NB! use a level

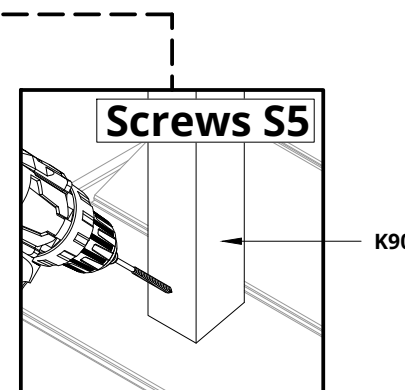
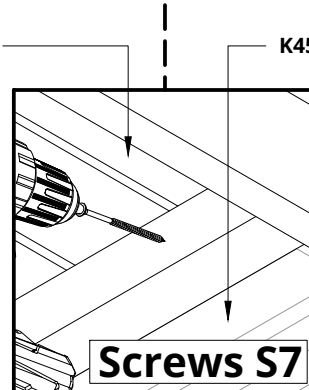
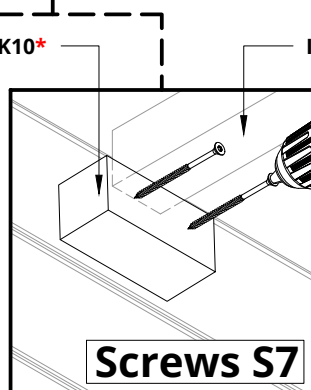
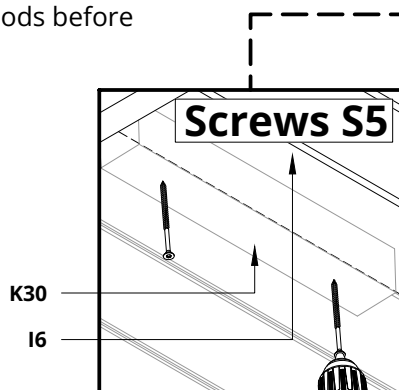



**\* Only for Dice Sauna SOLO!**  
**Please countersink the screw head(s)!**  
**The square wood K90 and cover board D2 are longer, they must be cut to the correct size!**

**Install the bench I6 and some aids to keep the bench level!**  
**Install square woods K10 for bench!**  
**Use glue between the square wood and the wall (only K10 square wood)!**  
**Install the bench leg K90 and the leg cover board D2!**

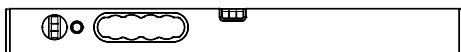


**Notice!**  
 Drill 4mm hole in the K.. square woods before screwing.

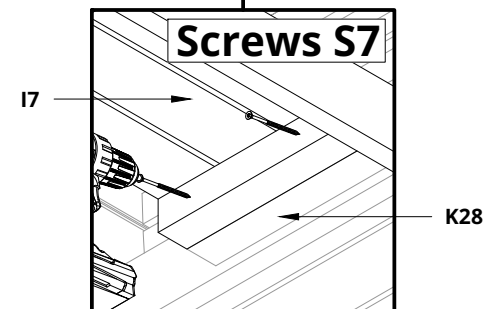
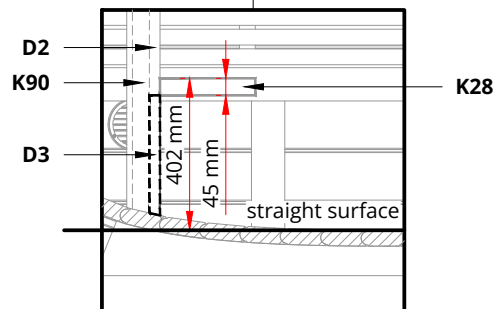
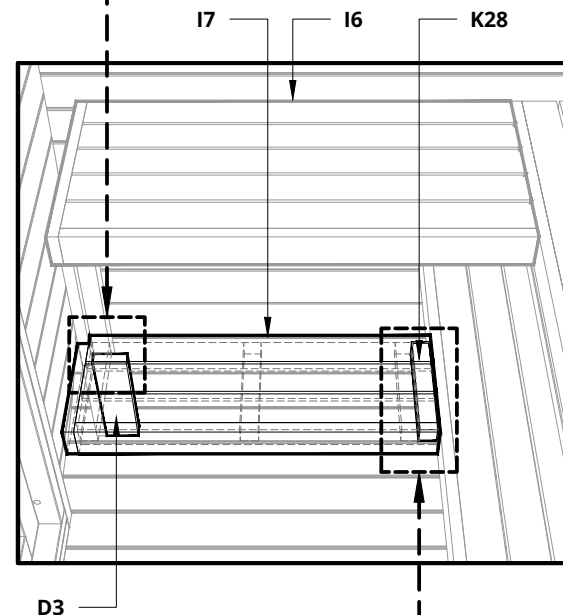
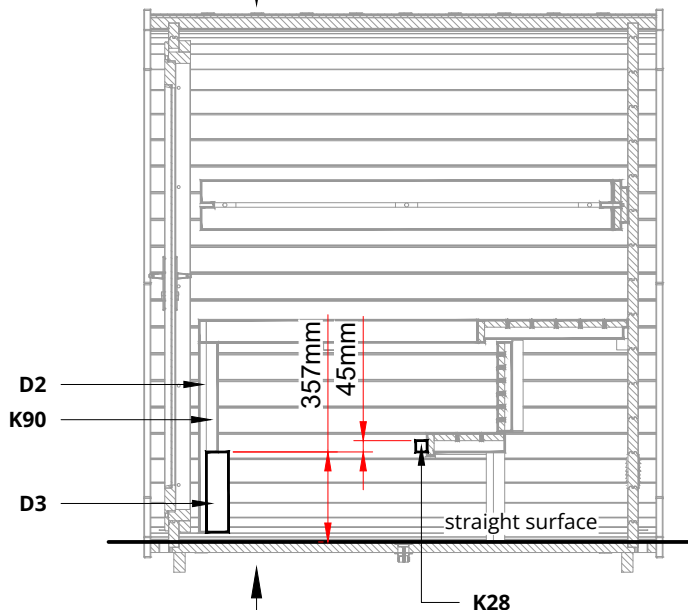
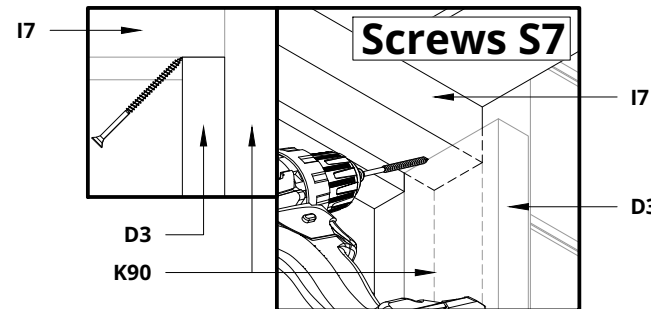
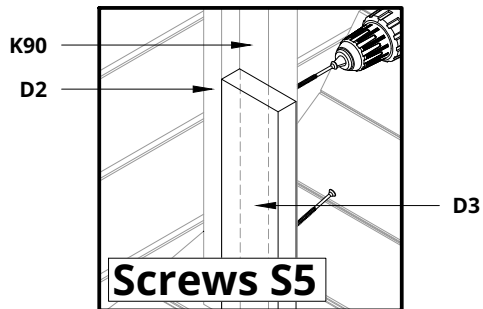



S5	Screws 4,5x60 for Spruce Screws 4,2x55 for Thermo	2
S7	Screws 4,5x80 for Spruce Screws 4,2x75 for Thermo	3
		

NB! use a level

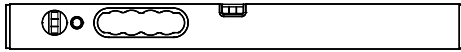


**Please countersink the screw head(s)!**  
**Height measurements are measured from a straight surface!**  
**The cover board D3 is longer, it must be cut to the correct size!**  
**Install the bench leg cover board D3!**  
**Install the bench I7 and some aids to keep the bench level!**



S5	Screws 4,5x60 for Spruce Screws 4,2x55 for Thermo	8
		

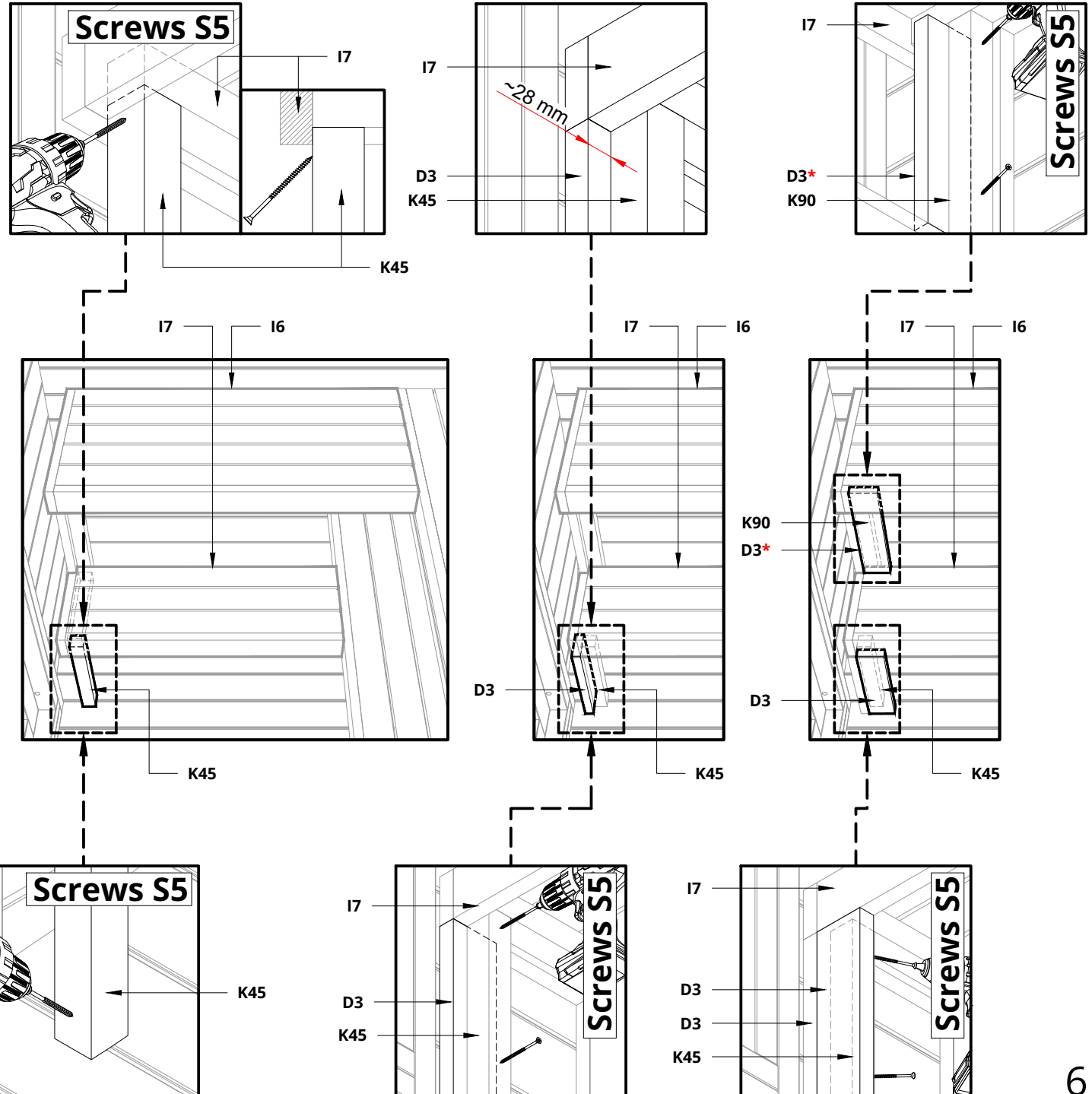
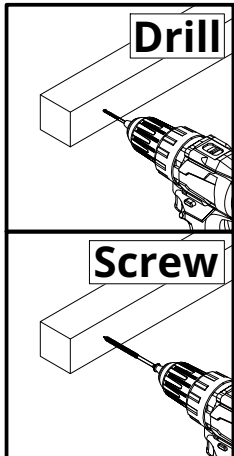
NB! use a level




**Please countersink the screw head(s)!**  
**The square wood K45 and cover boards D3 are longer, they must be cut to the correct size!**

Install the bench leg K45 and the leg cover boards D3 and D4!

**\* If a bench skirt has been ordered, skip D3 installation and continue on the next page!**



S5	Screws 4,5x60 for Spruce Screws 4,2x55 for Thermo	3
S7	Screws 4,5x80 for Spruce Screws 4,2x75 for Thermo	3
		

**(OPTIONAL)**

**Thermal protection plate installation for a HUUM Hive Flow mini burning heater (only for SOLO or COMFY 2.4)**

**Drill Ø4.5 - 5 mm holes in the thermal protection plate !**  
*(The hole location measurements are shown in picture.)*

**Screw the legs of the Thermal protection plate all the way in at the indicated locations!**

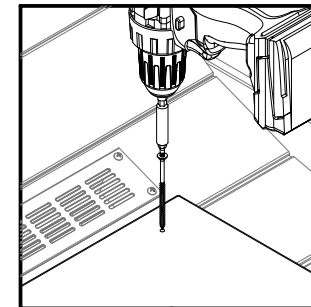
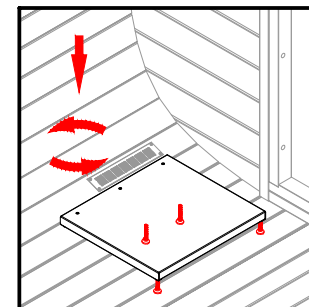
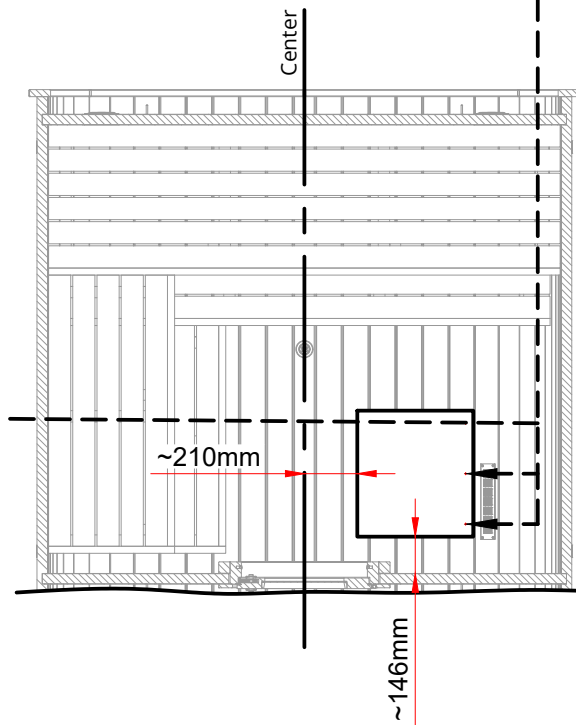
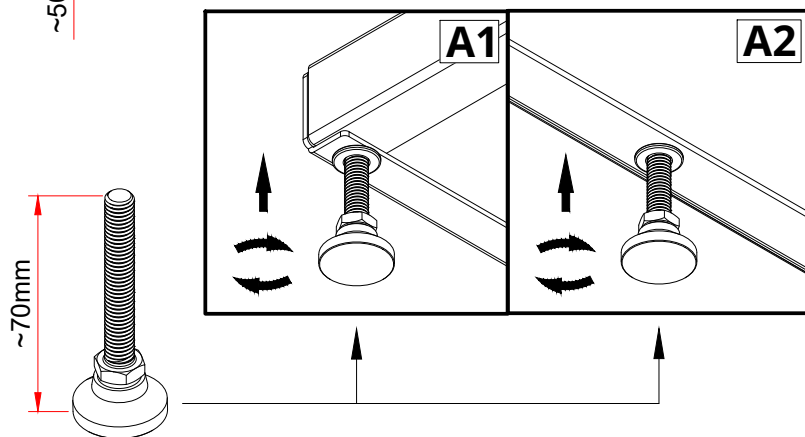
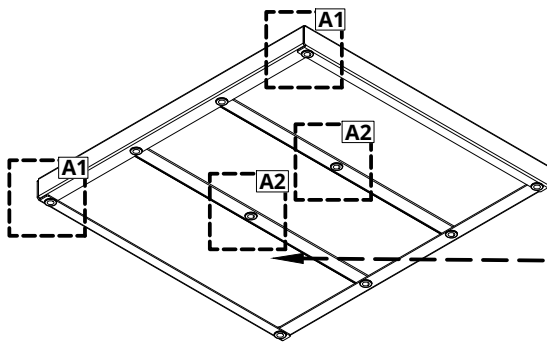
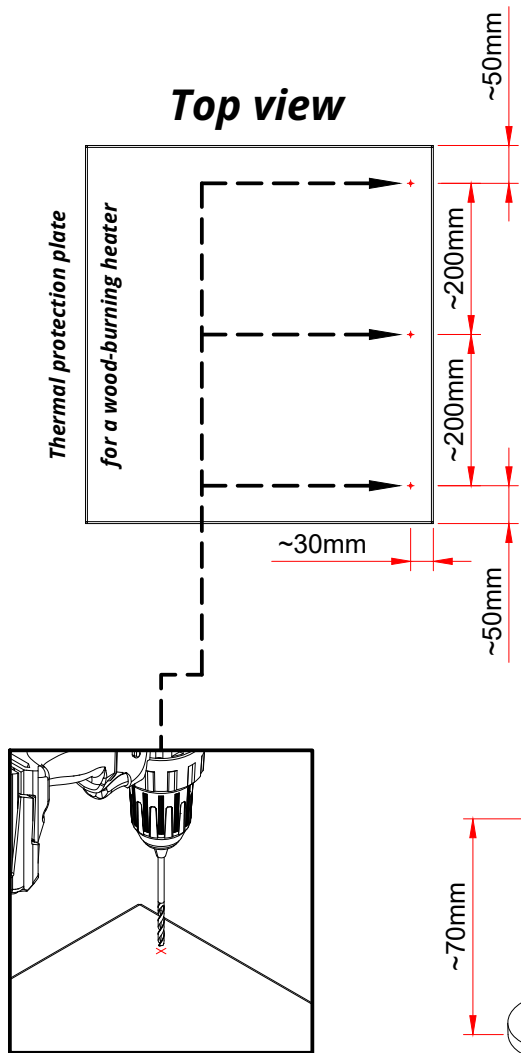
**Install the Thermal protection plate and secure it with three screws.**  
***Do not tighten the screw too tightly. Leave some room for movement.***


**First adjust the outer legs to make the Thermal protection plate level and then adjust the middle ones against the floor.**

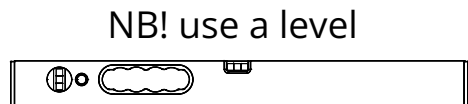
NB! use a level



*Images are illustrative and may differ from reality, the installation principle is the same!!!*

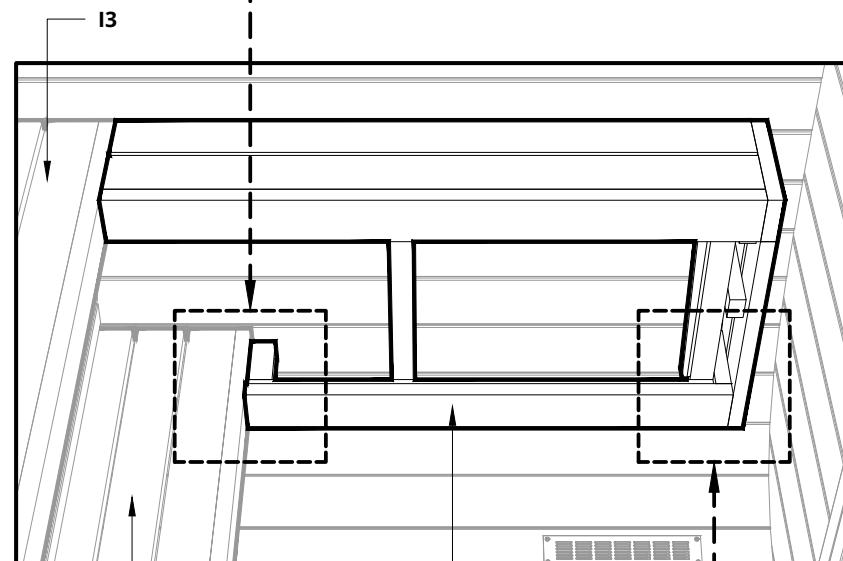
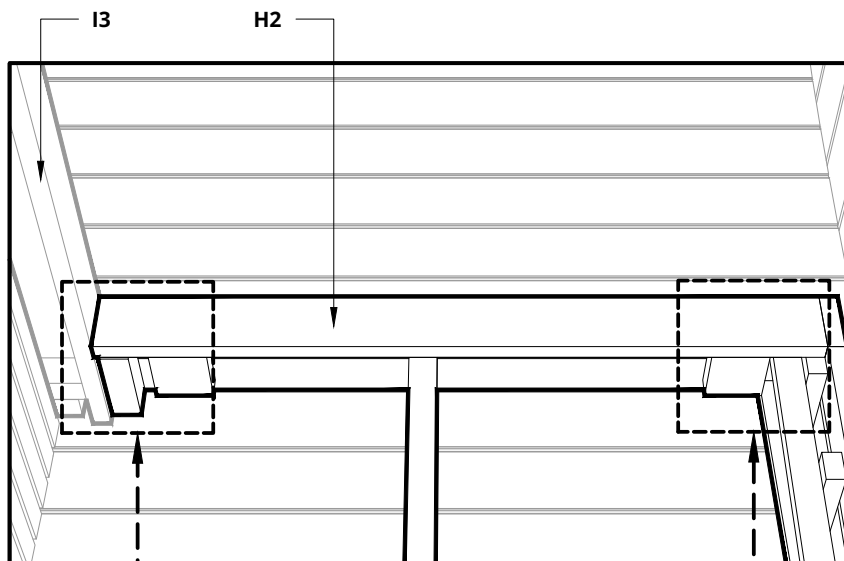
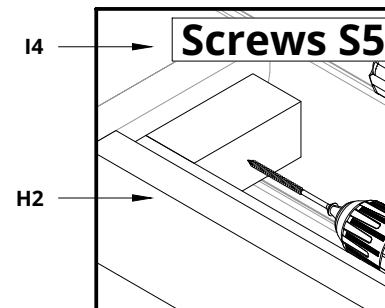


S5	Screws 4,5x60 for Spruce Screws 4,2x55 for Thermo	6
		

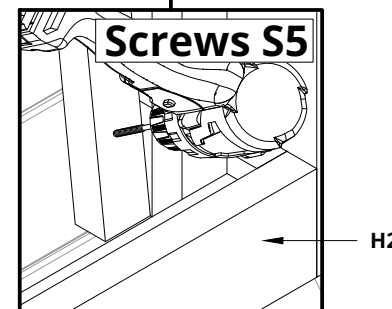
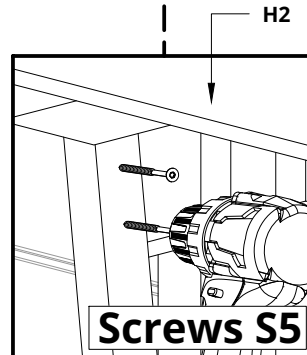
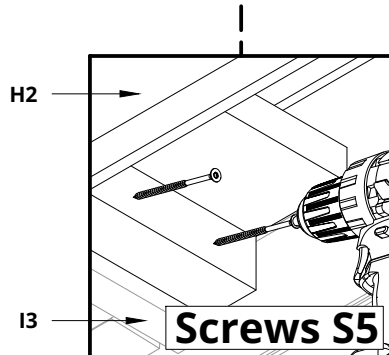
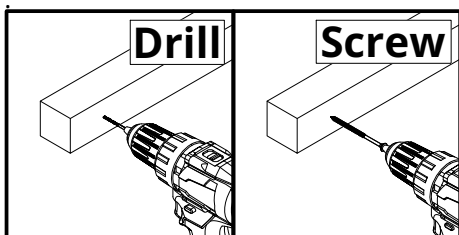



**(Optional)**  
*These steps apply to the sidewall wall mount if ordered.*

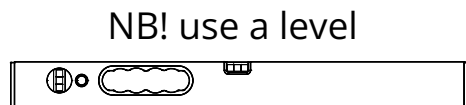
**Please countersink the screw head(s)!**  
**Install the heater wall mount H2!**



**Notice!**  
 Drill 4mm hole in the wood details for screws.

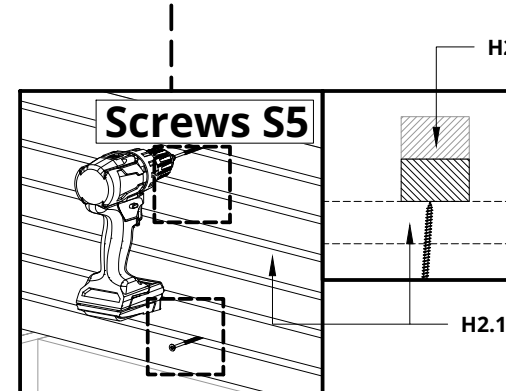
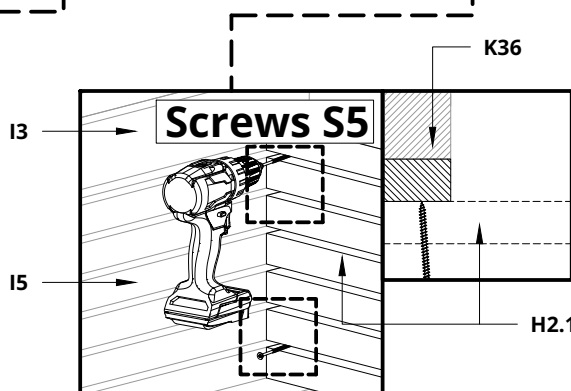
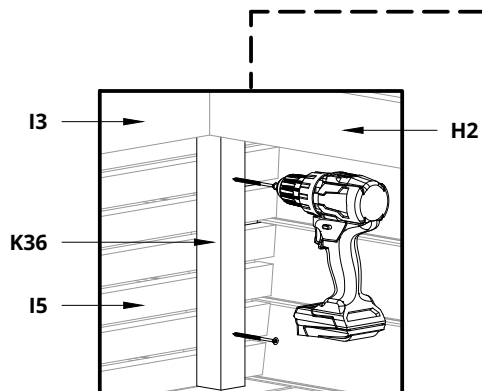
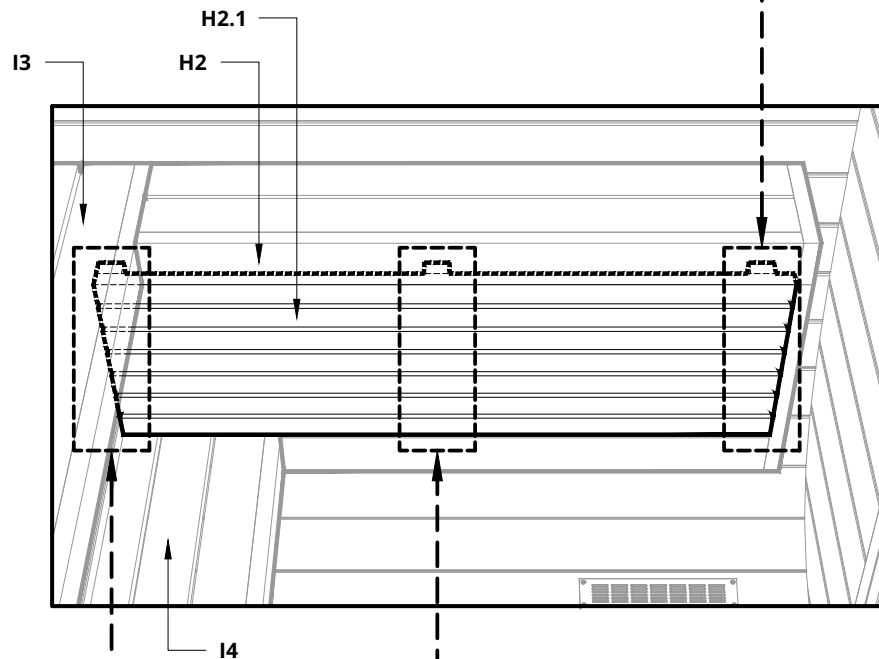
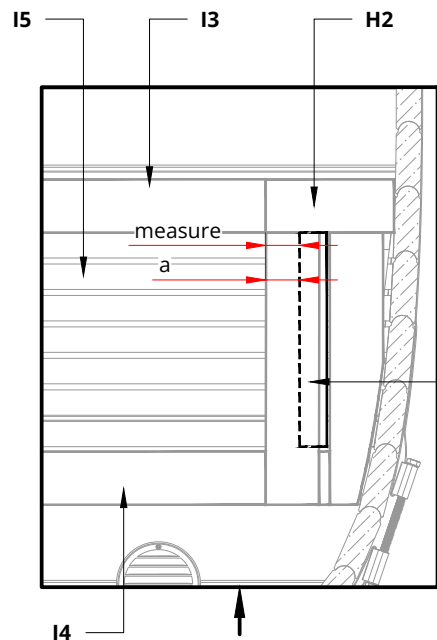
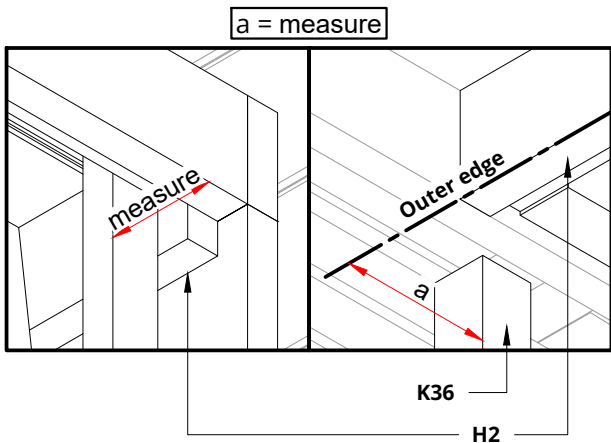
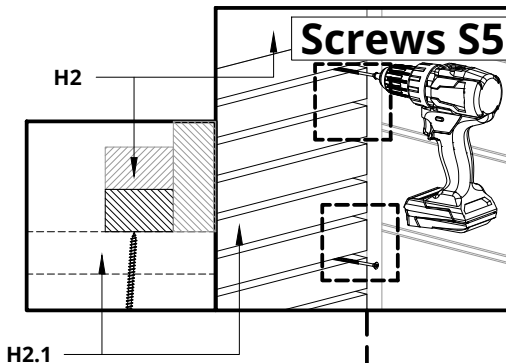



S5	Screws 4,5x60 for Spruce Screws 4,2x55 for Thermo	8
		



**(Optional)**  
*These steps apply to the sidewall wall mount if ordered.*

**Please countersink the screw head(s)!**  
**Install square woods K36**  
**Install the skirt (H2.1) of the wall mount !**



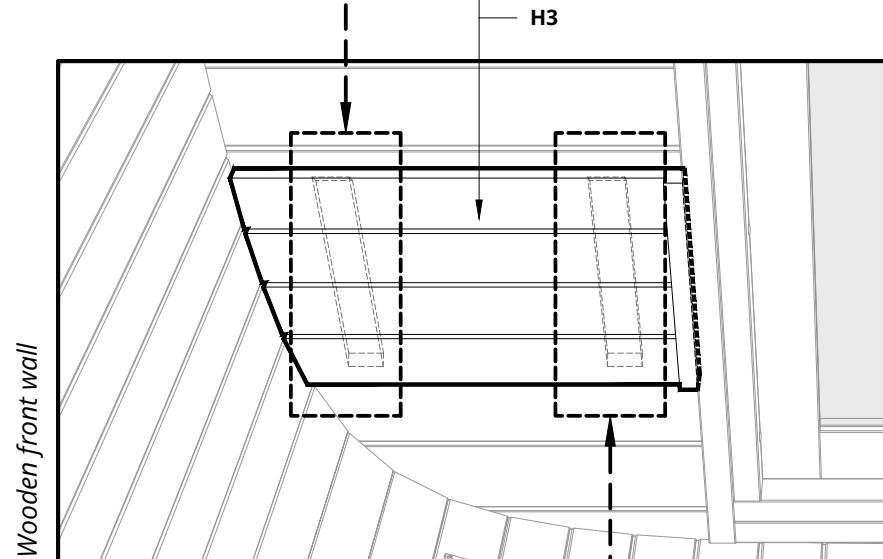
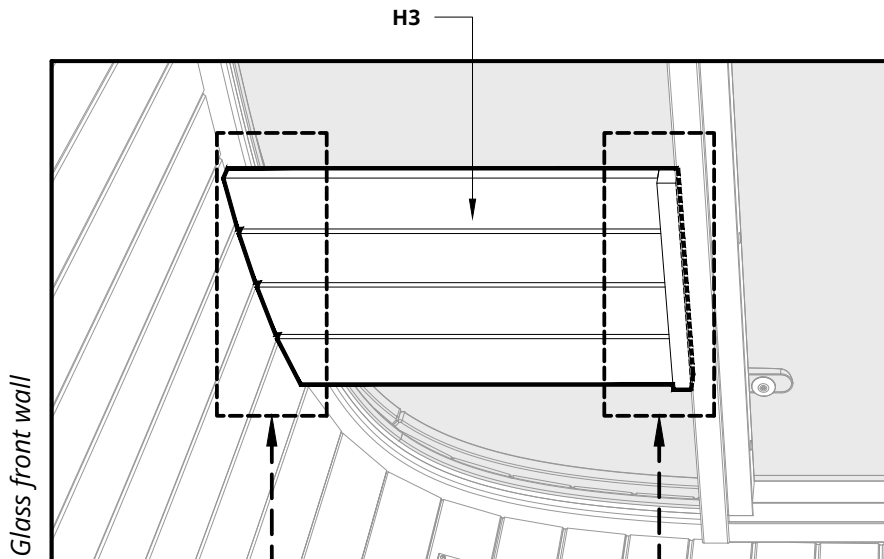
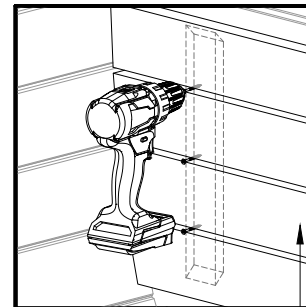
S5	Screws 4,5x60 for Spruce Screws 4,2x55 for Thermo	8
		

NB! use a level



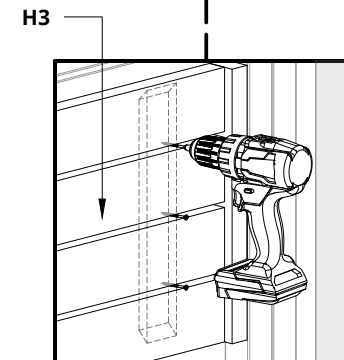
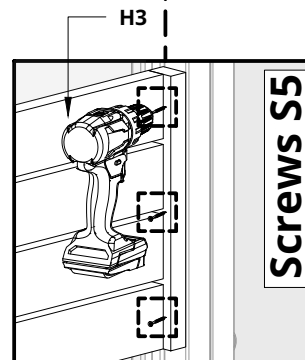
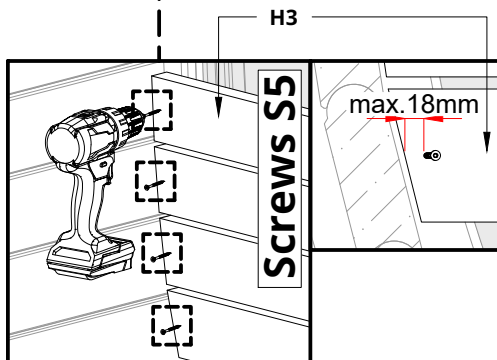
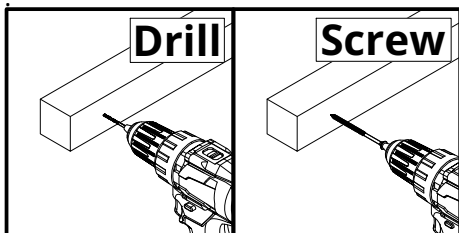
**(Optional)**  
*These steps apply to the front wall mount if ordered.*

**Please countersink the screw head(s)!**  
**Install the front wall mount H3!**

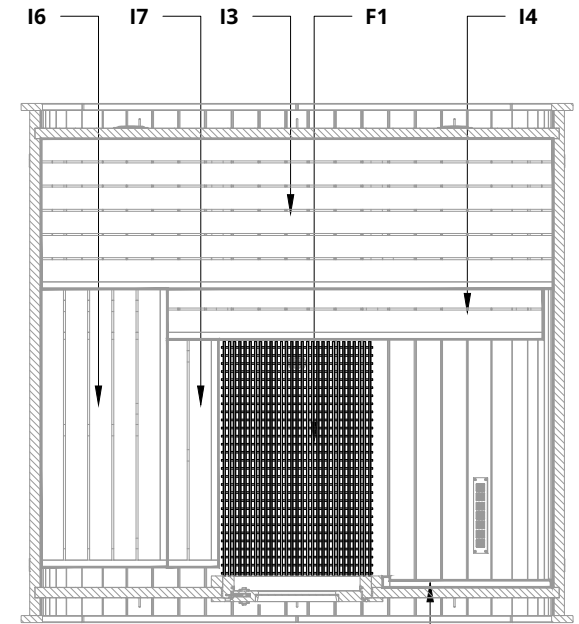
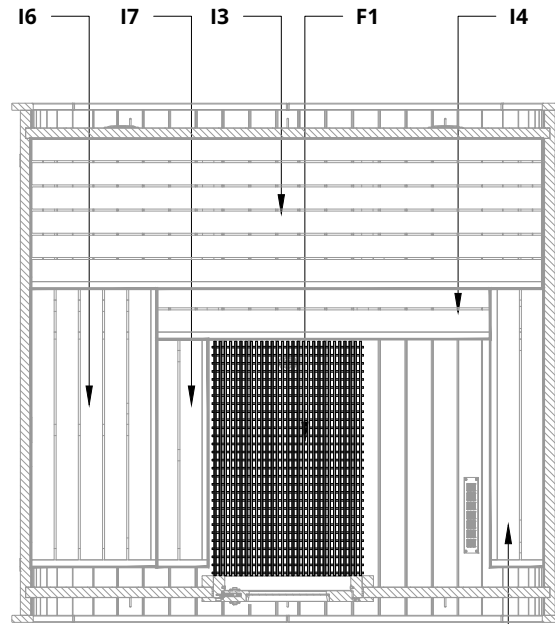
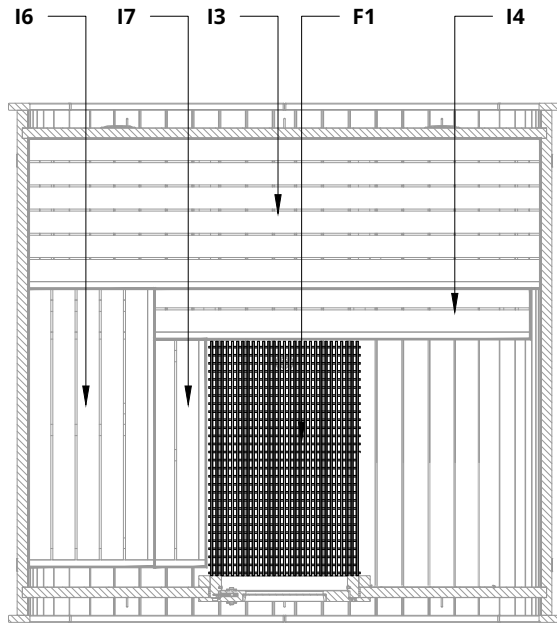
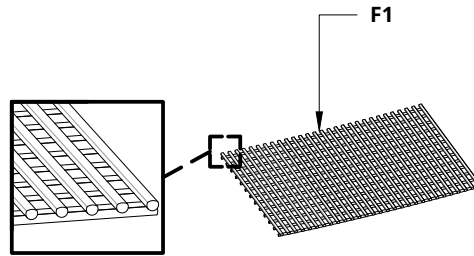


**Notice! (Only for glass wall)**

Drill 4mm hole in the wood details for screws.



### Place the floor mat F1!



H2 (Optional)

H3 (Optional)

