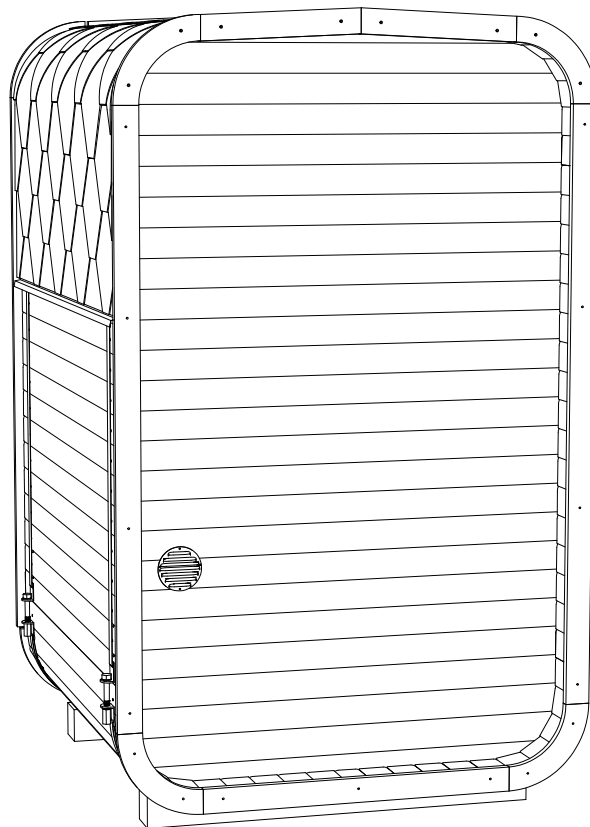
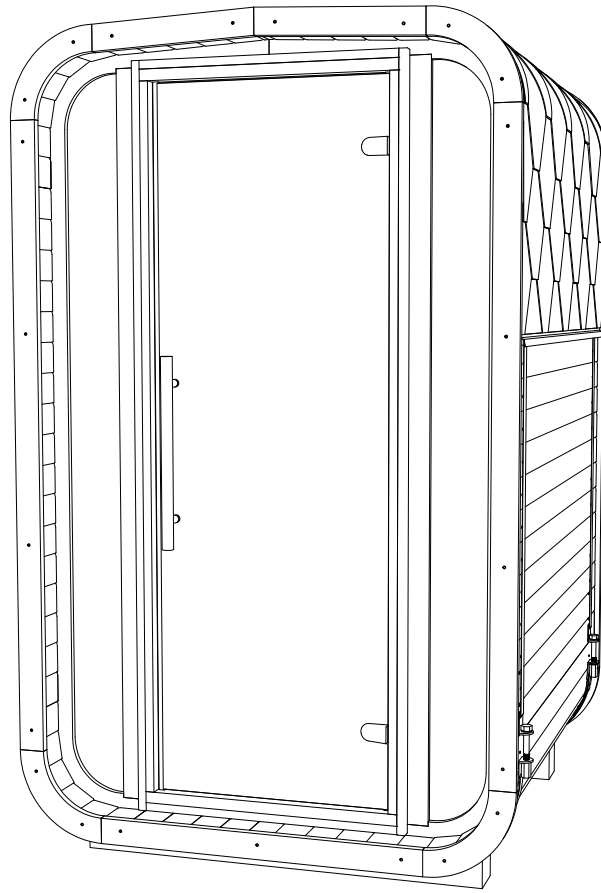


SQUARE SAUNA ASSEMBLY INSTRUCTIONS


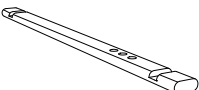
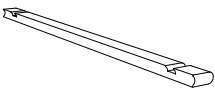

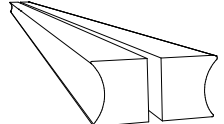
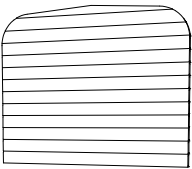
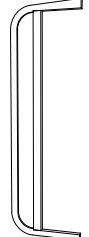
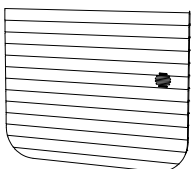
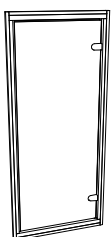
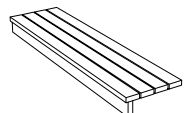
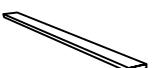
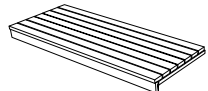

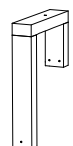
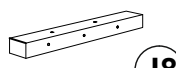
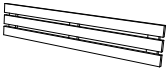
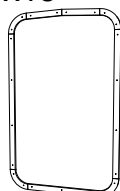


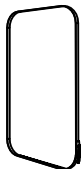

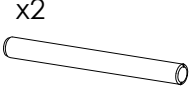
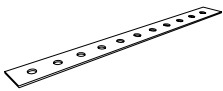
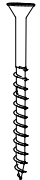


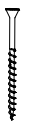





Model: K140

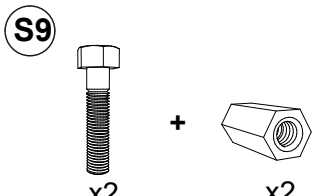
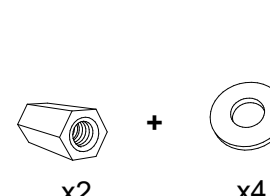
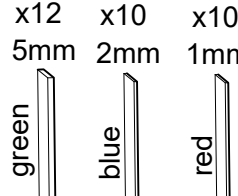
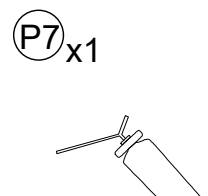
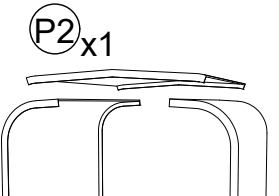
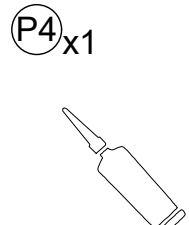
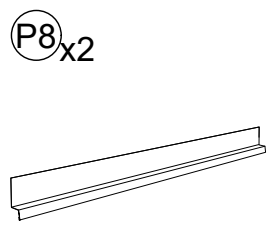
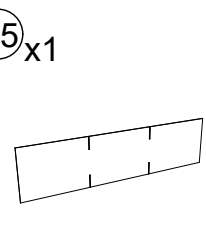
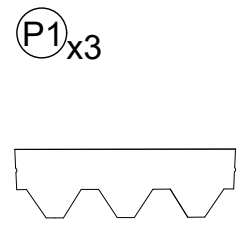
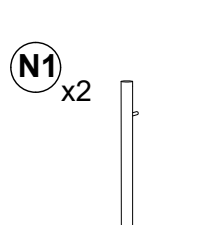
Note: Please read this manual carefully before starting construction

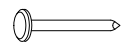
Rev. 10.12.2024.

PARTS LIST

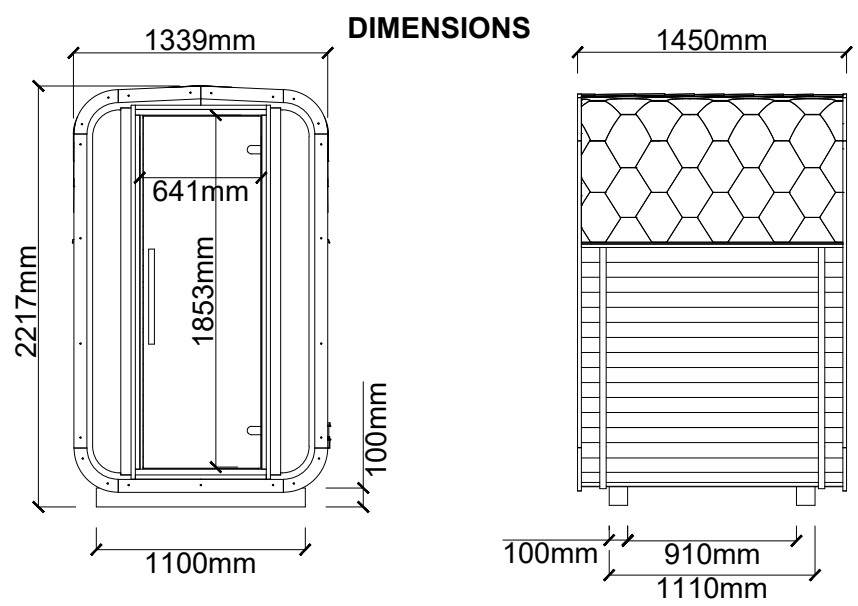
A x2  cradle	B x1  center stave	C x78  body stave	H1 x2 10mm  different thickness filling peaces	H x2  final H type stave at the top
V3 x1  upper rear panel	F x2  front panel	V x1  bottom rear panel	F2 x1  door and door moldings	J5 x1  sauna bench step
O x1  roof board	J x1  sauna bench	L x2  sauna floor	J1 x1  supporting leg	J3 x2  support board for sauna bench
J2 x1  backrest	W x18  decorative roof finishing boards	Y x1  adhesive tape for panels	Y1 x1  ventilation grill	I x2  metal band
J9 x1  support board for sauna bench	D x1  wood pin	S1 x23  metal bracket	S10 x135  screw 5.0x100 SS	S4 x4  screw 4.0x60
S6 x35  screw 5.0x70 SS	S7 x47  screw 4.2x55 brown	S12 x6  screw 4.0x30	S5 x25  screw 4.0x50 SS	S14 x8  screw 5.0x80

PARTS LIST

 <p>S9 x2 + x2</p> <p>bolt Ø12x140</p>	 <p>x2 + x4</p> <p>hex nut M12 (SW19)</p> <p>flat washer</p>	 <p>x12 x10 x10 5mm 2mm 1mm</p> <p>green blue red</p> <p>door box spacers</p>	 <p>P7 x1</p> <p>spray foam</p>	 <p>P2 x1</p> <p>underlay for roof shingles</p>
 <p>P4 x1</p> <p>bitumen roof mastic</p>	 <p>P8 x2</p> <p>metal cornice</p>	 <p>P5 x1</p> <p>roof shingle ridge eaves</p>	 <p>P1 x3</p> <p>roof shingles</p>	 <p>N1 x2</p> <p>door handle</p>



shingle nails



RECOMMENDATION



2 person recommended

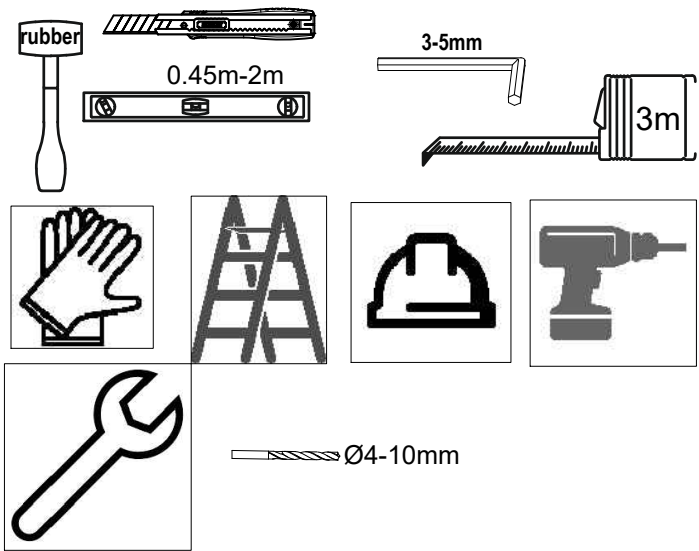
Before you begin, ensure the sauna fits in your chosen location

Ensure the site is level and free of standing water after rainfall.

Concrete, pavers or crushed stone is preferred.

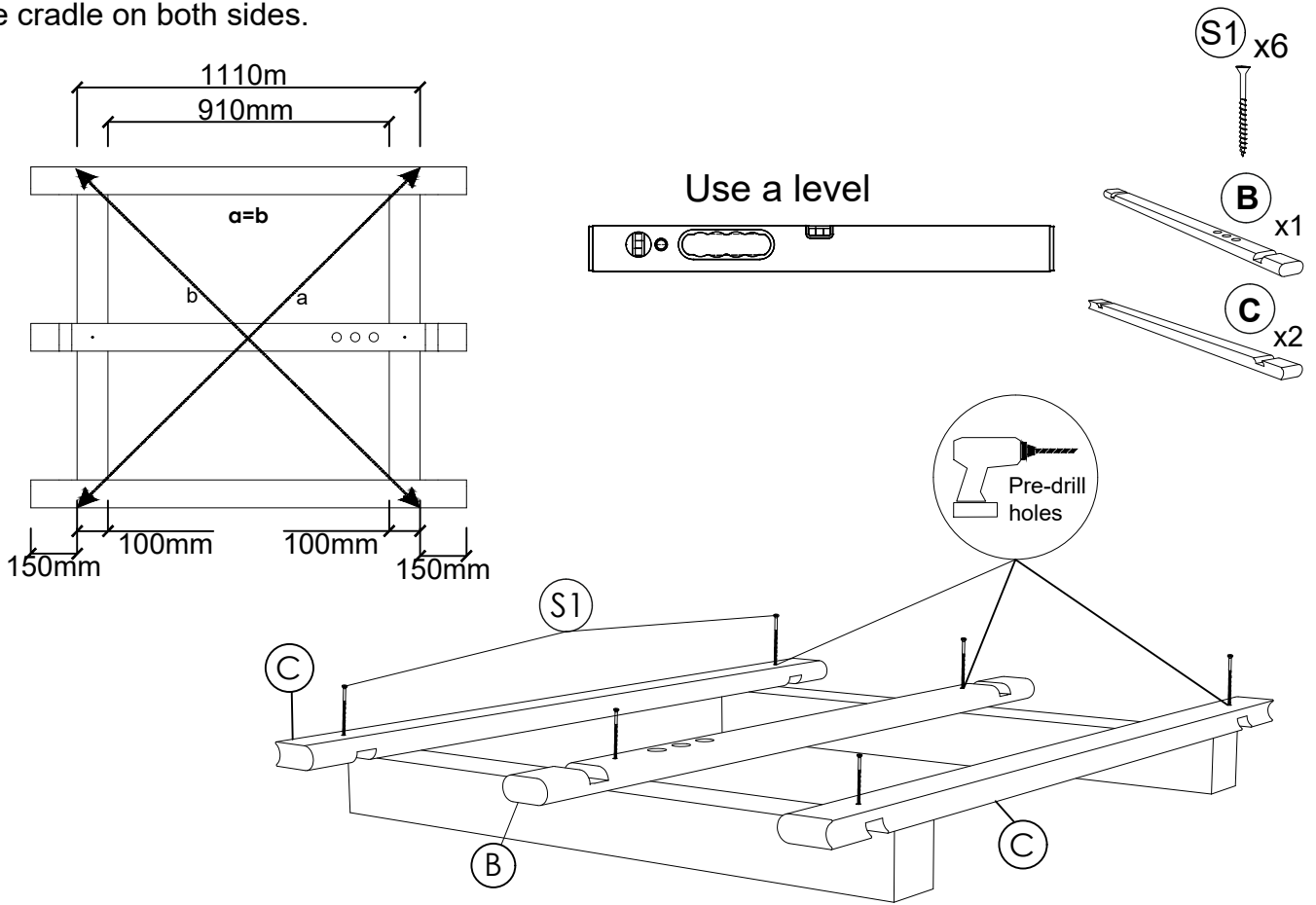
Check parts before construction.

TOOLS REQUIRED

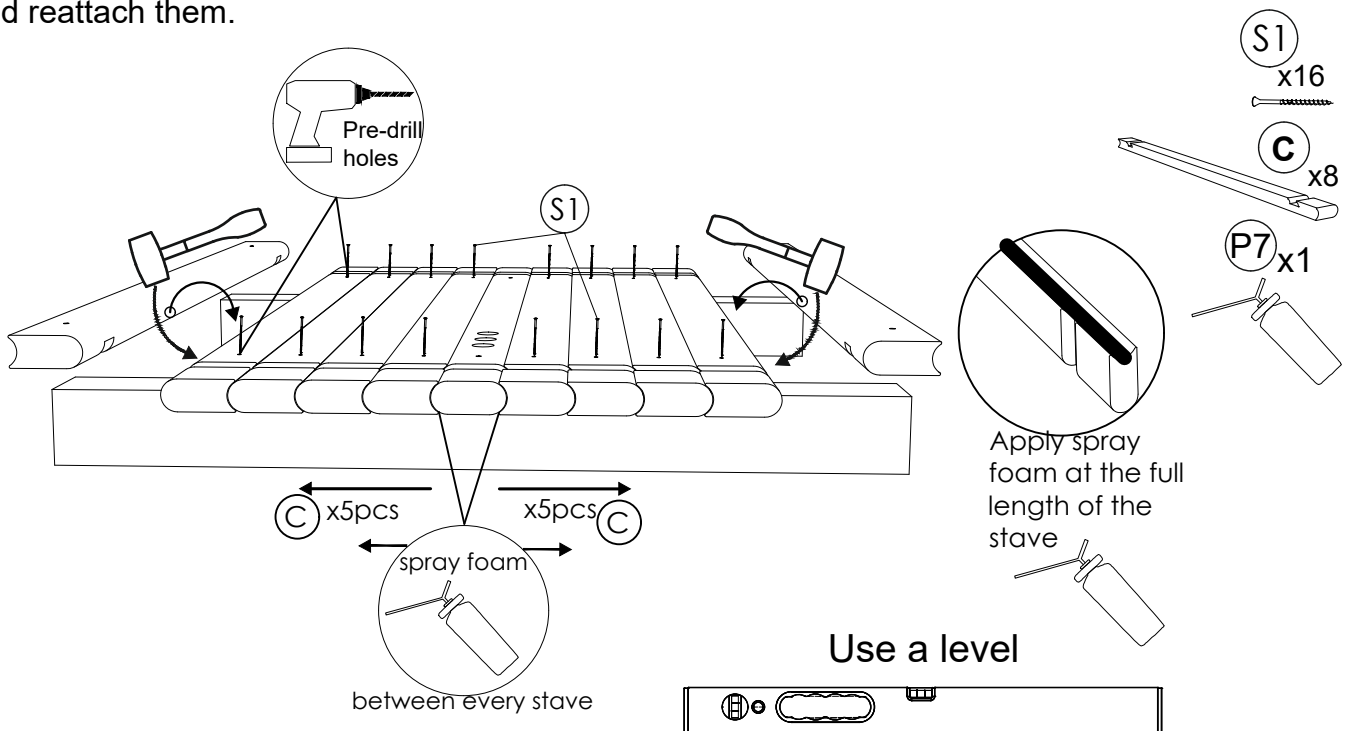


- rubber mallet
- 0.45m-2m spirit level
- 3-5mm metal bar
- 3m measuring tape
- gloves
- ladder
- hard hat
- drill
- wrench
- Ø4-10mm shingle nail

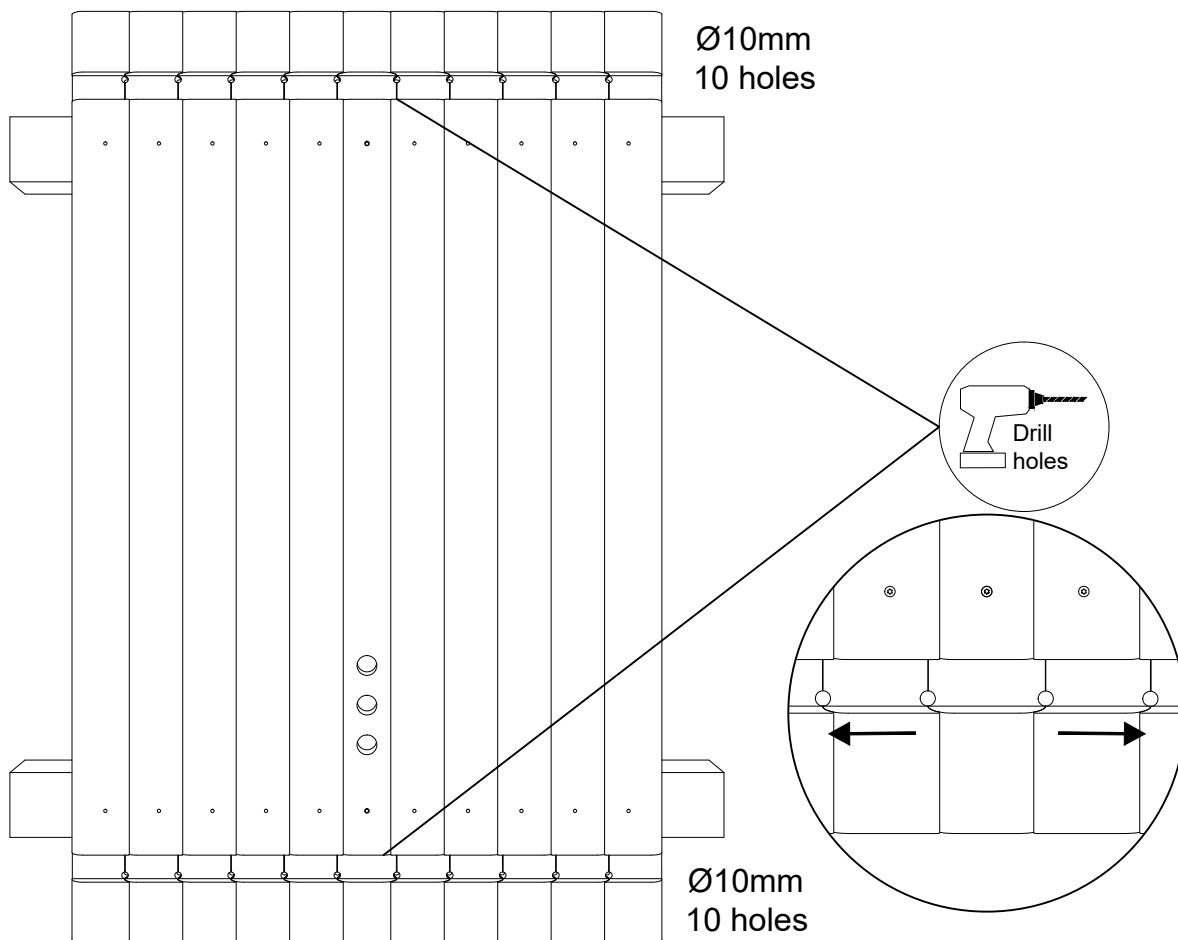
STEP 1: Place cradles on prepared surface. The base for the sauna cradles must be level and sturdy. Measure diagonally from corner to corner, ensuring measurements 'a' and 'b' are equal. The distance between cradles are in picture. Fix staves on both sides of the cradles to prevent any change in measurements. Check the levels again. Pre-drill holes before fixing the staves with screws. Fix the center stave (B) in the middle of the cradles. Leave the stave 150mm over the cradle on both sides.



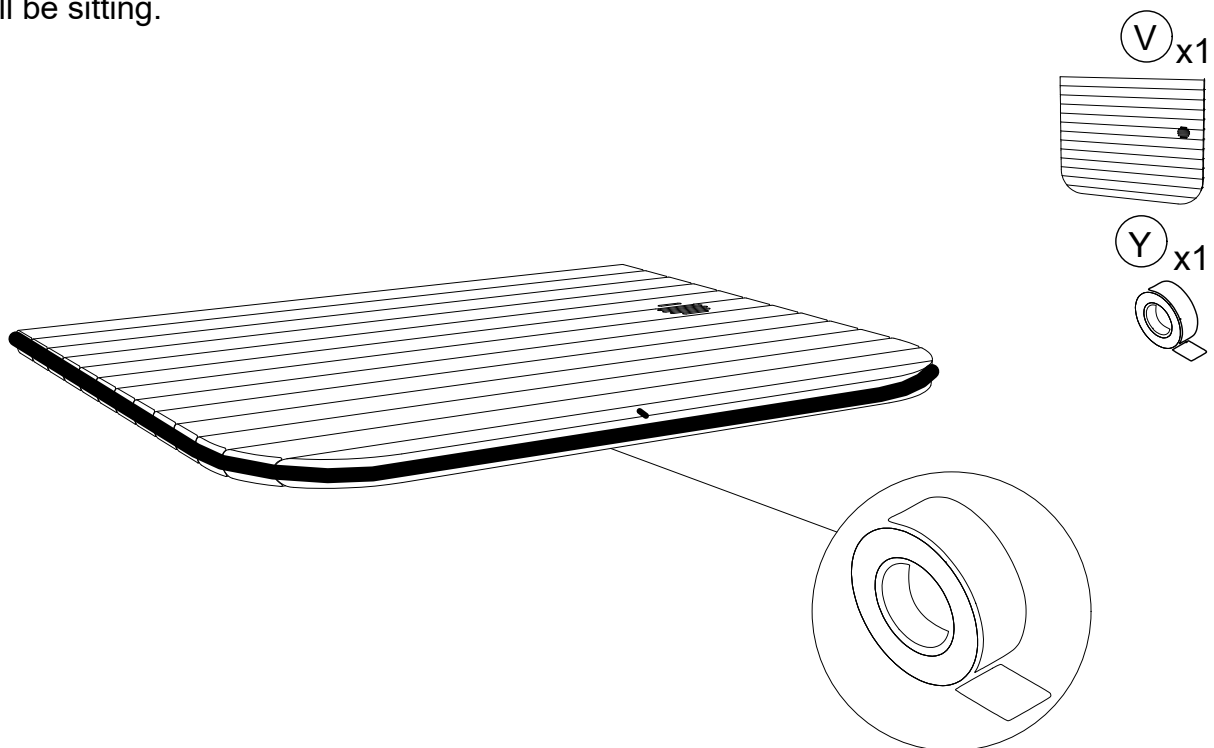
STEP 2: Attach five staves (C) on each side of the center stave. Check the level while installing the staves and use a rubber hammer for a tighter fit. Pre-drill holes for the screws. Apply spray foam between the boards for better insulation. After fixing eight staves, remove the side staves and reattach them.



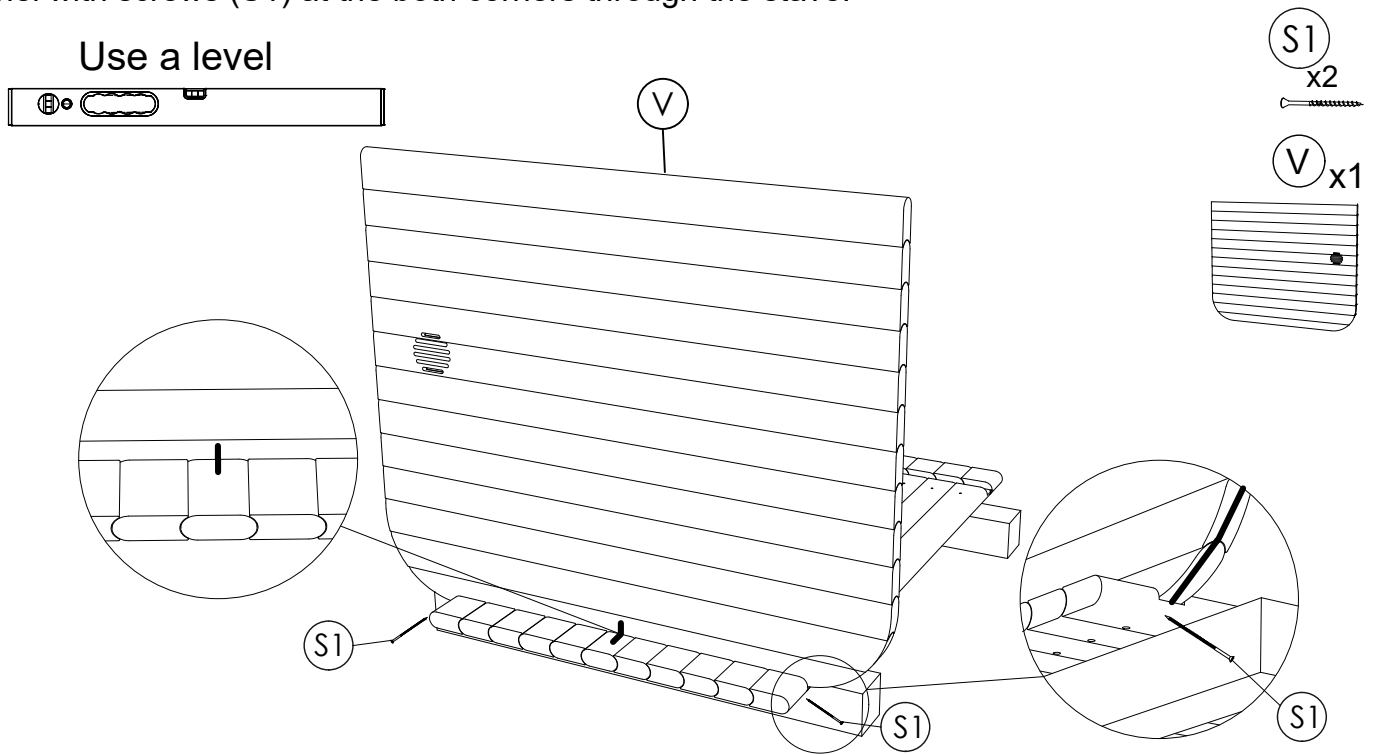
STEP3: Drill ten 10mm holes in front and back wall grooves to the out-side in board connections as shown in the picture. This will help drain excess water faster.



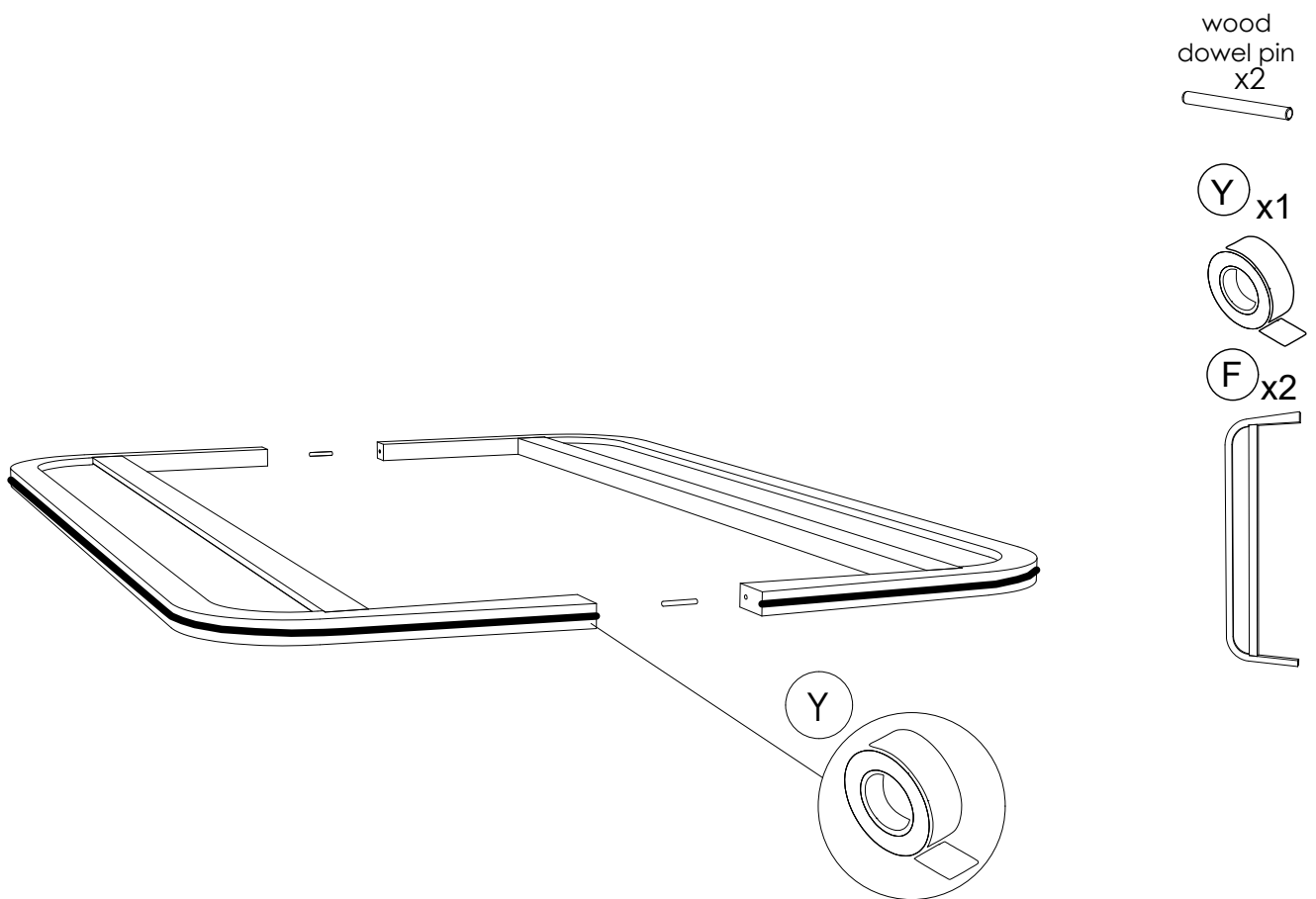
STEP 4: Attach adhesive tape along the rear panel's edge. At the bottom of the rear panel (V), draw a line where the centre of the panel is. Do the same on the centre stave of the floor, where the panel will be sitting.



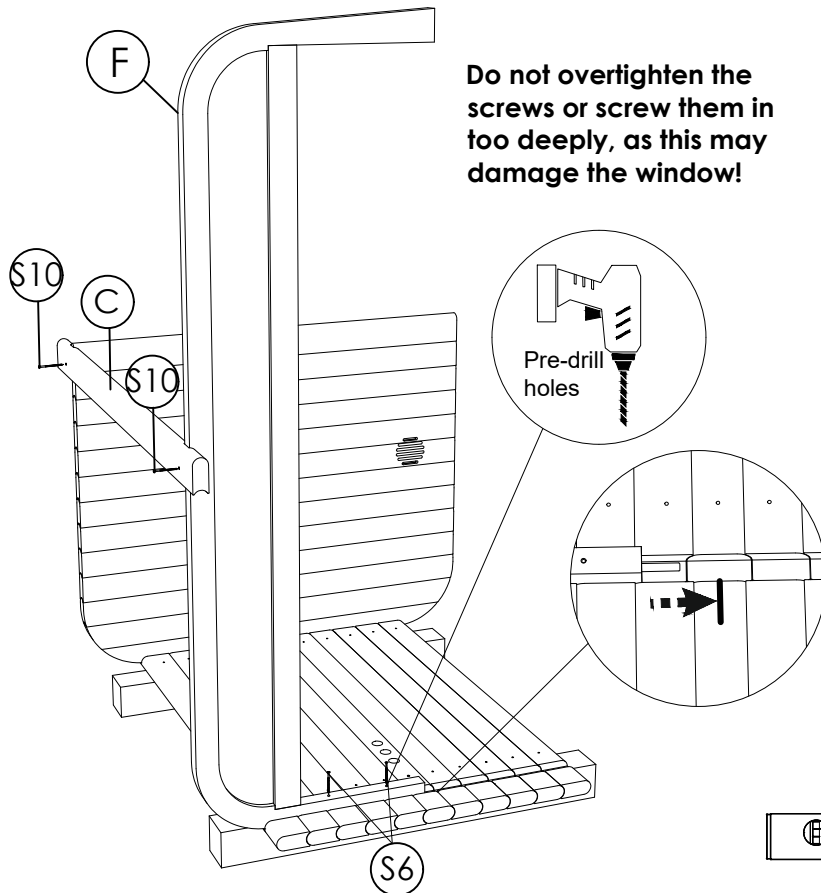
STEP 5: Place rear bottom panel (V) in the board groove. Check that the panel is level. Secure panel with screws (S1) at the both corners through the stave.



STEP 6: Attach adhesive tape along the edge of both front panels (F). Insert wood pin in both holes of the front panel top and bottom.



STEP 7: Draw a line on the center stave where the middle is. Take one of the panels (F) and put it directly next to the middle line. Fix it at the panel threshold with screws (S6). Pre-drill holes in the panel threshold, evenly spaced and not too close to the sides. Connect both panels with (C) stave, front and back, and fix using screws (S10). Make sure it's leveled.



Do not overtighten the screws or screw them in too deeply, as this may damage the window!

Pre-drill holes

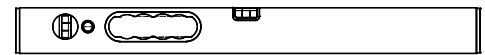
S6 x2

C x1

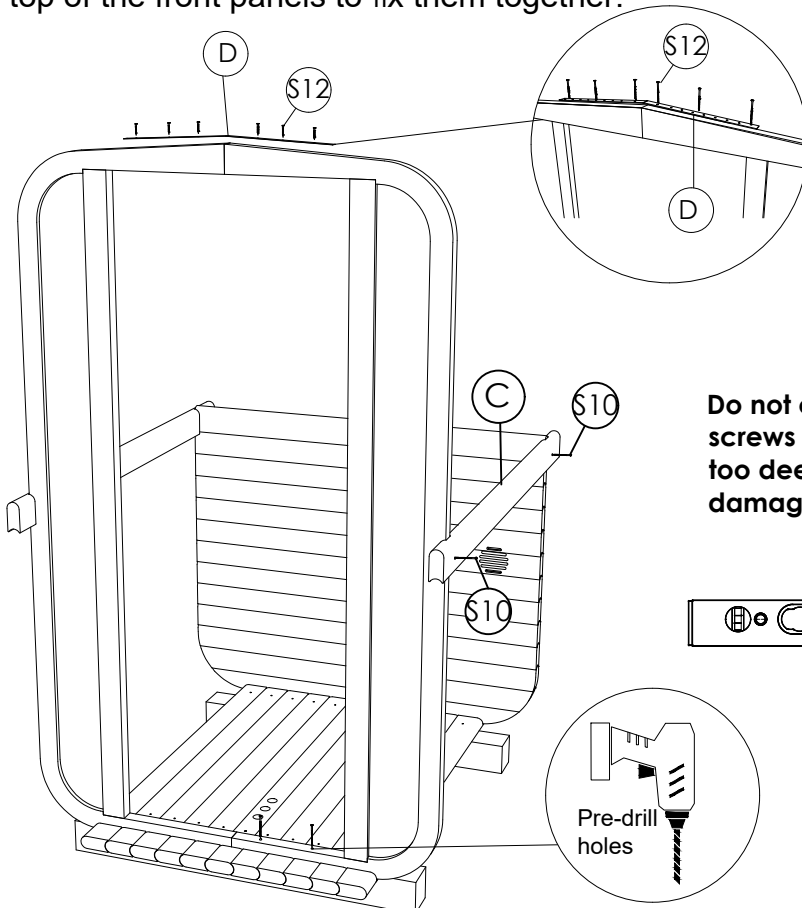
F x1

S10 x2

Use a level



STEP 8: Place the second front panel (F). Slide it together that the top and bottom connects. Fix it at the panel threshold with screws (S6) pre-drill holes. Make sure it's level. Use metal bracket on top of the front panels to fix them together.



Do not overtighten the screws or screw them in too deeply, as this may damage the window!

Pre-drill holes

S10 x2

S12 x6

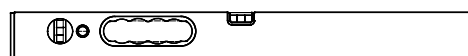
D x1

S6 x2

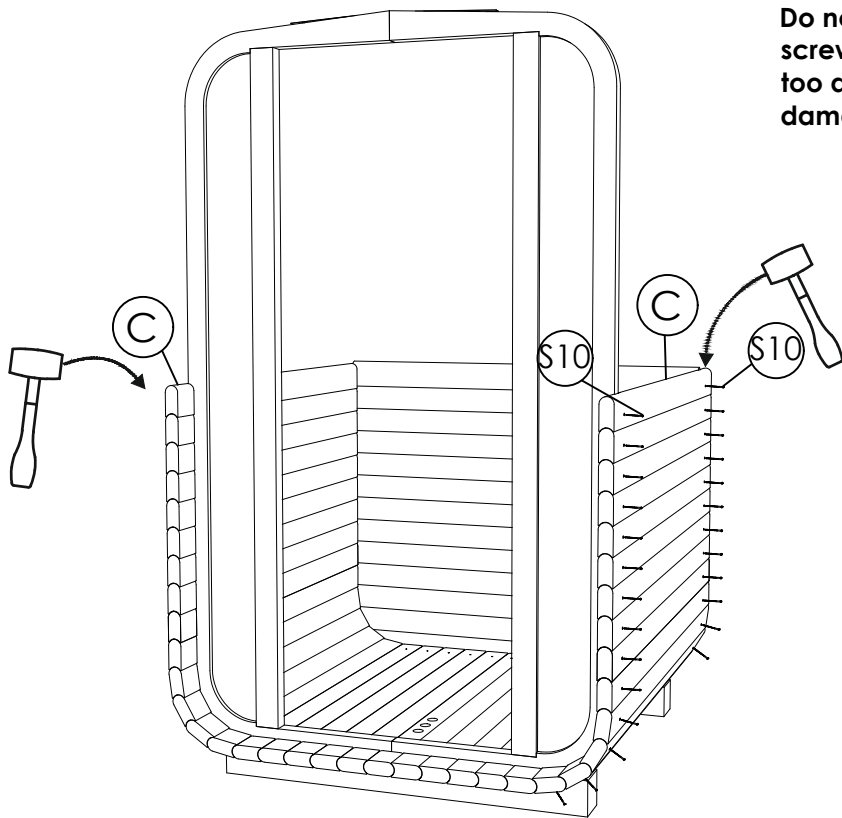
C x1

F x1

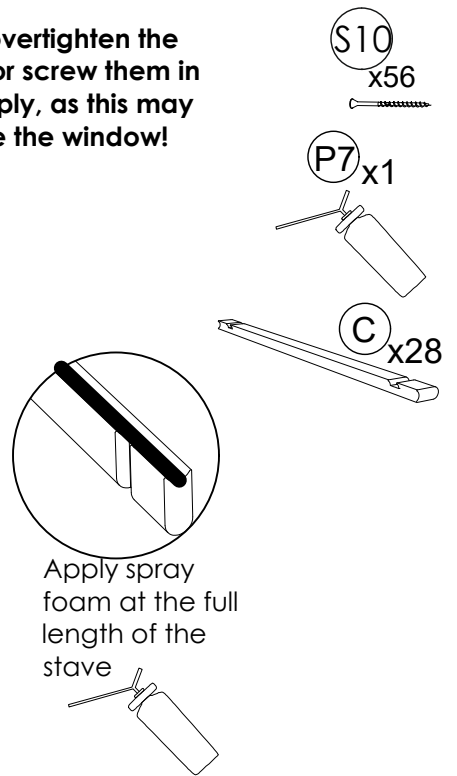
Use a level



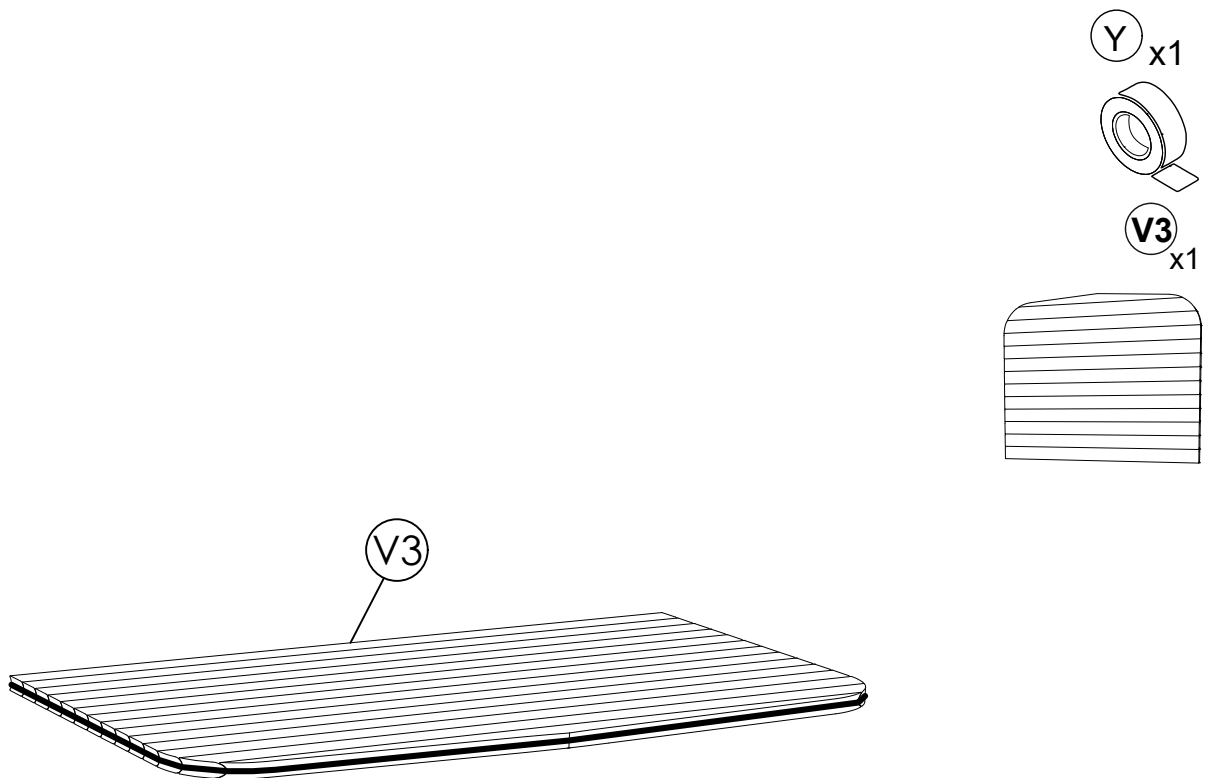
STEP 9: Fix 14 staves (C) on both sides with screws (S10). Use rubber hammer for tighter placement. Use spray foam between every staff. Keep fixing staves till reach top of the rear panel (V).



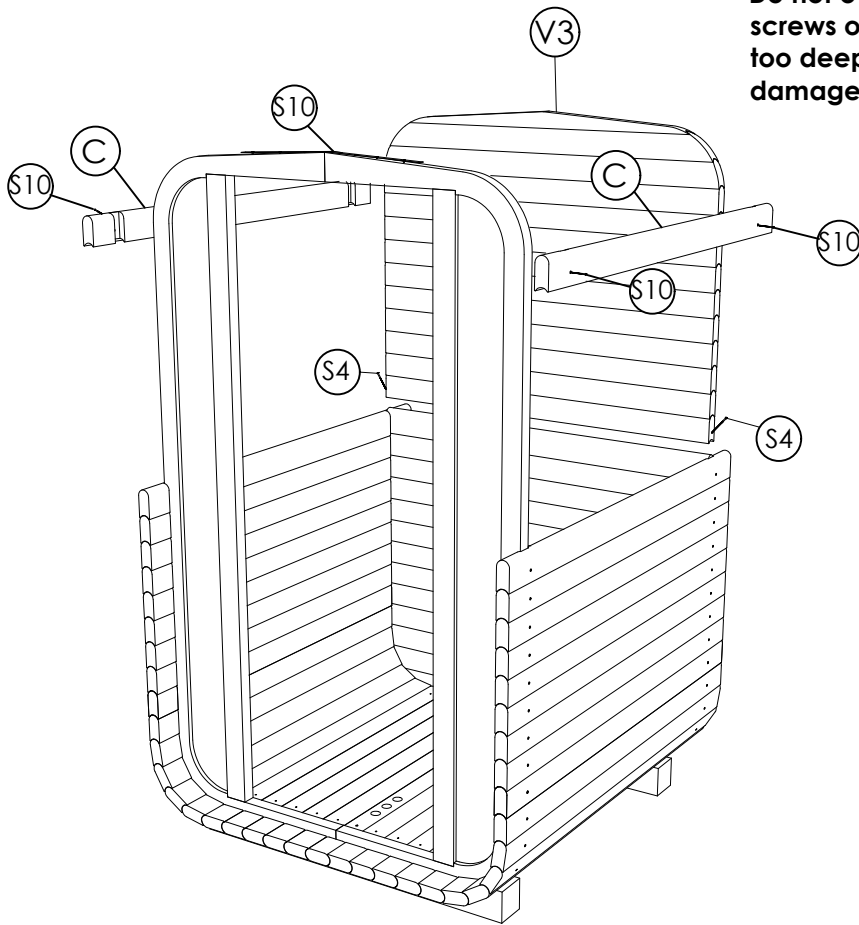
Do not overtighten the screws or screw them in too deeply, as this may damage the window!



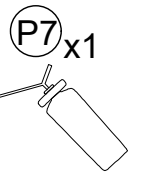
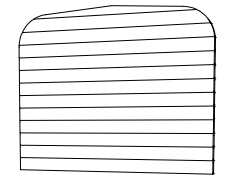
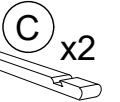
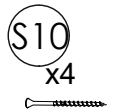
STEP 10: Attach adhesive tape along the rear panel (V3) edge.



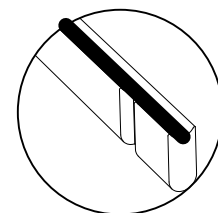
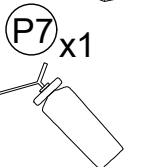
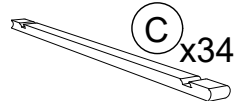
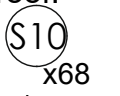
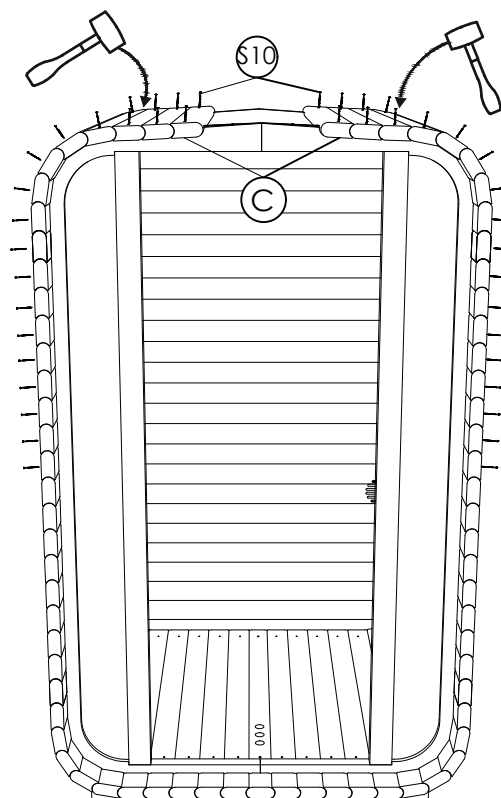
STEP 11: Install the panel (V3) with caution. Use spray foam between panels for better insulation. Place it on top of the lower back panel (V). Check level and that side edges are aligned with bottom panel. One keeps holding the panel, and the other is fixing the side stave on a upper curve using screws (S10). Secure the panel (V3) at the both corners using two screws (S4).



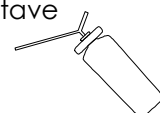
Do not overtighten the screws or screw them in too deeply, as this may damage the window!



STEP 12: Fix 17 staves (C) on both sides with screws (S10). Use rubber hammer for tighter placement. Use spray foam between every stave. Keep fixing staves till reach top of the roof.

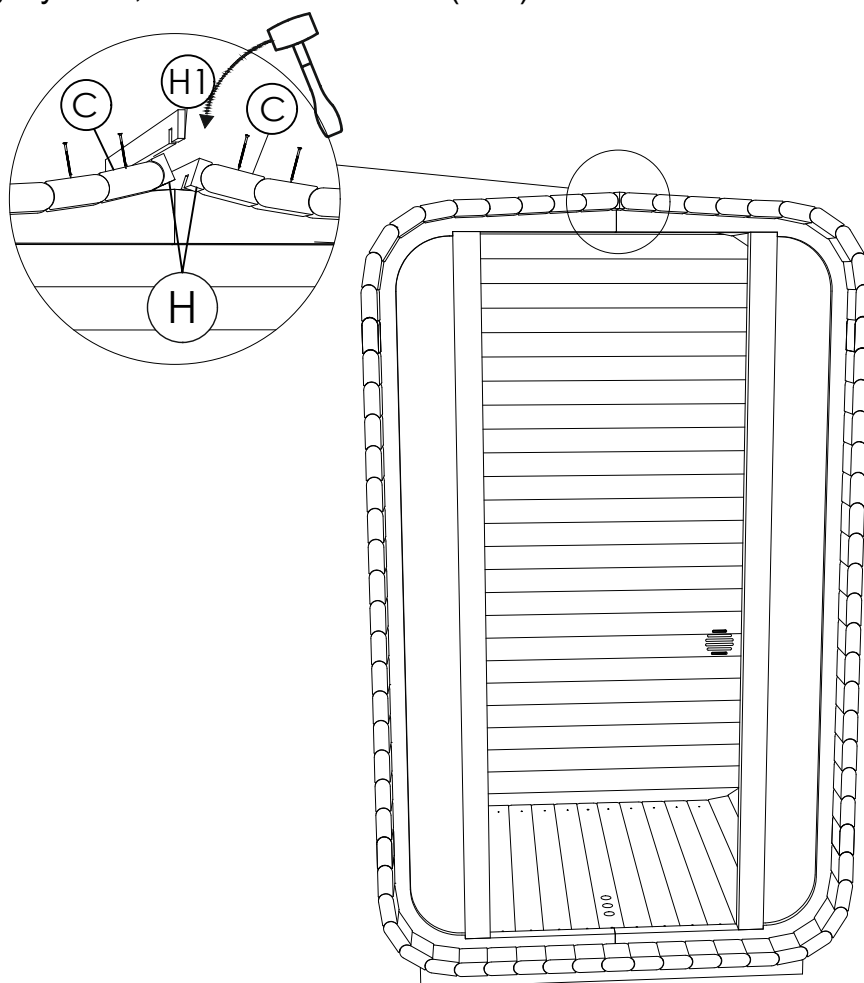


Apply spray foam at the full length of the stave



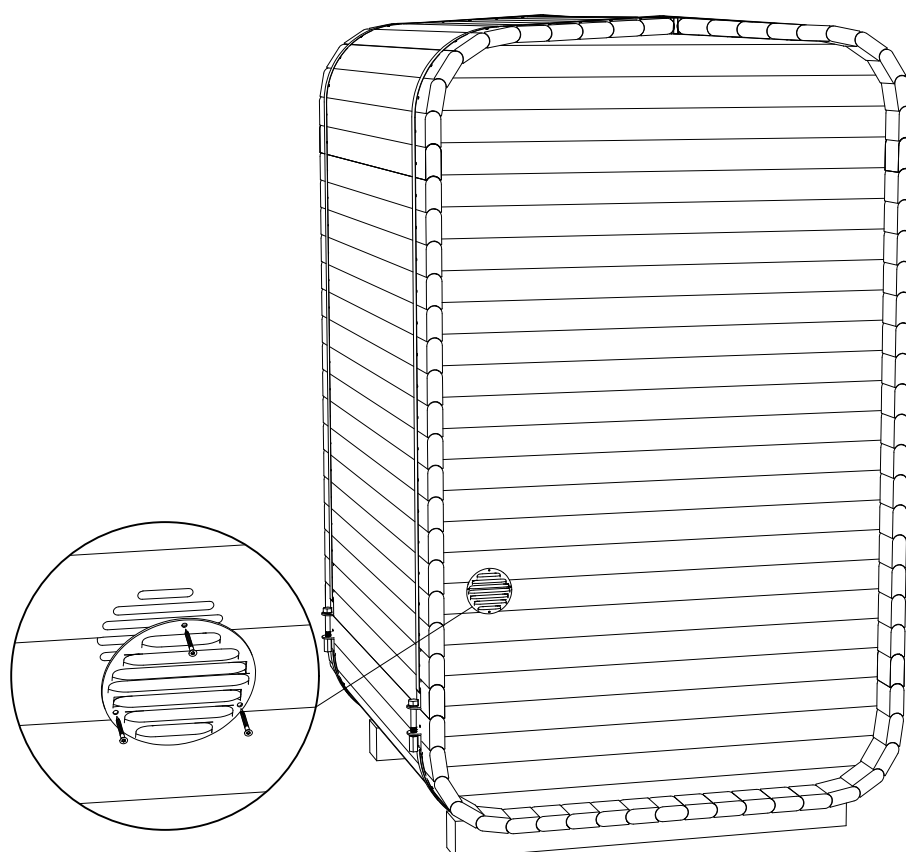
Do not overtighten the screws or screw them in too deeply, as this may damage the window!

STEP 13: Finish roof with (C) staves and final staves (H). If needed, use thinner staves (H1) to fill the gap between (H) staves and apply spray foam between staves. Make sure that centre of the roof is tightly filled, then fix with screws (S10).



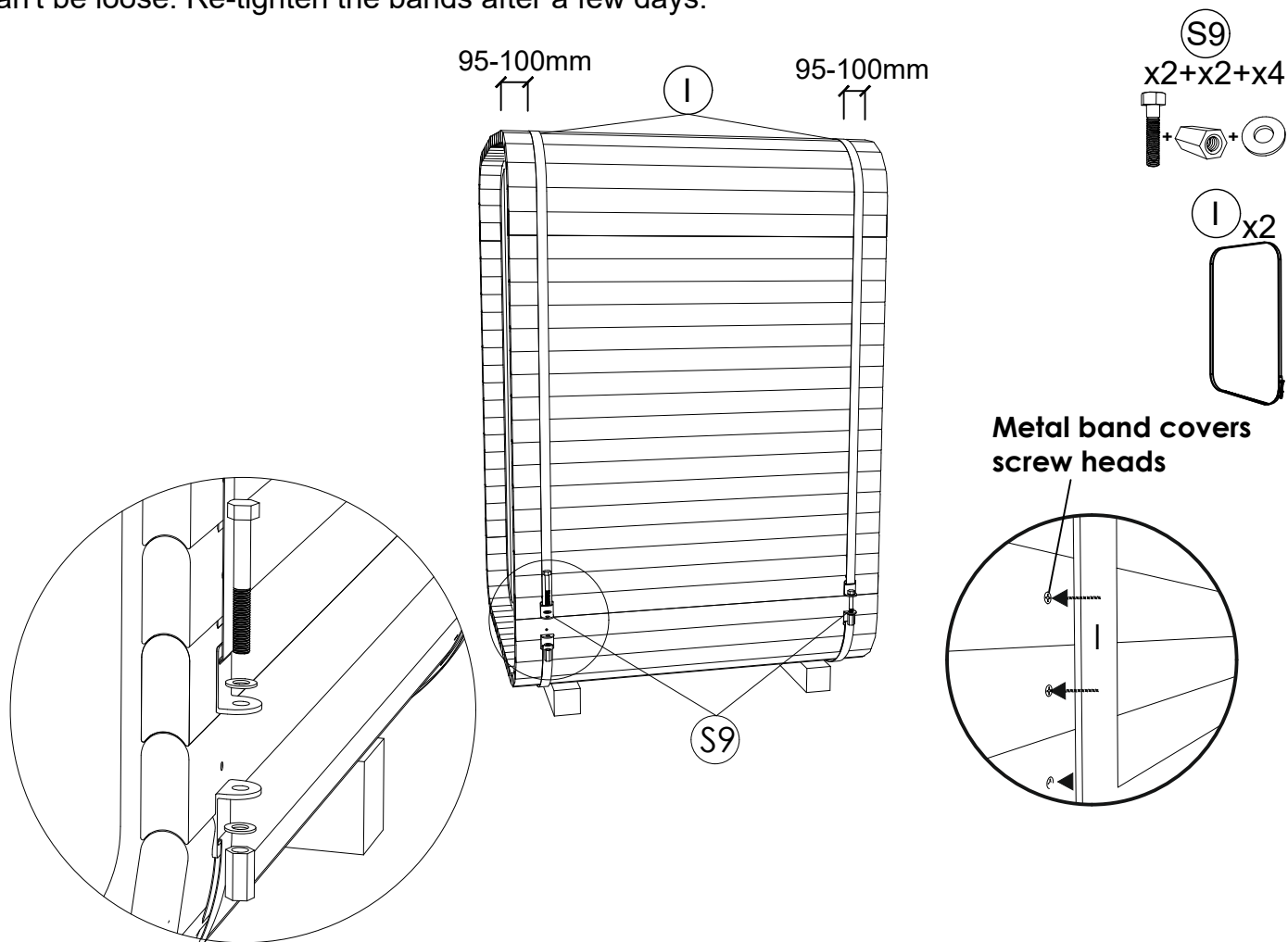
- (S10) x12
- (C) x4
- (H1) x2
- (H) x2
- (P7) x1

STEP 14 Install ventilation grill from outside over the ventilation cuts.

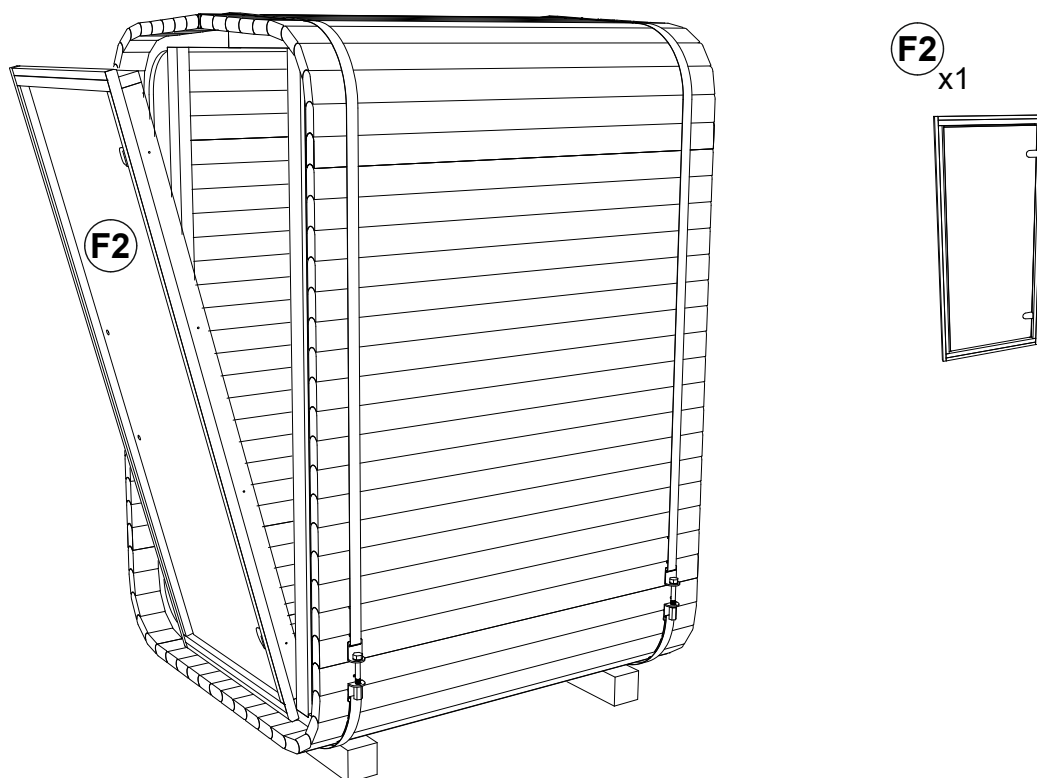


- (Y1) x1

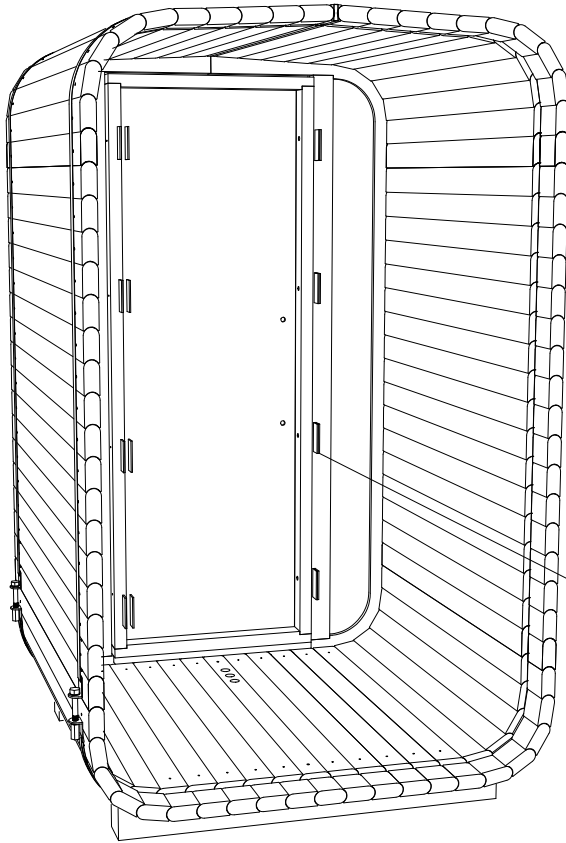
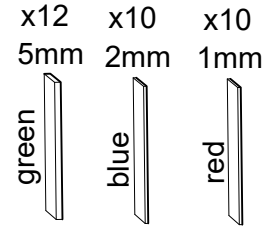
STEP 15: Install metal bands over the screw heads. **Screws (S9) must be placed as shown in picture**, then tighten the screws. Check the bands align evenly all around the sauna 95-100mm from the back and front. Keep tightening bands till you feel strong resistance, bands can't be loose. Re-tighten the bands after a few days.



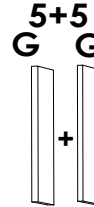
STEP 16: Install the doors (F2). Put the doors on threshold and lay in frame about in the middle. Fix doors with clamps or another person should hold the door.



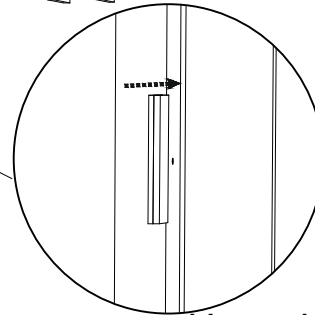
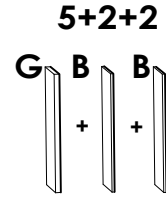
STEP 17: Put plastic spacers in the gap between the door box and the front panel where the screws go. Combine spacers for best width. Spacer must fit tightly.



example



example



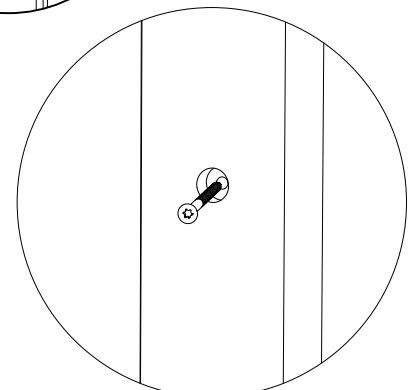
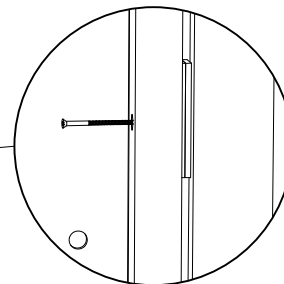
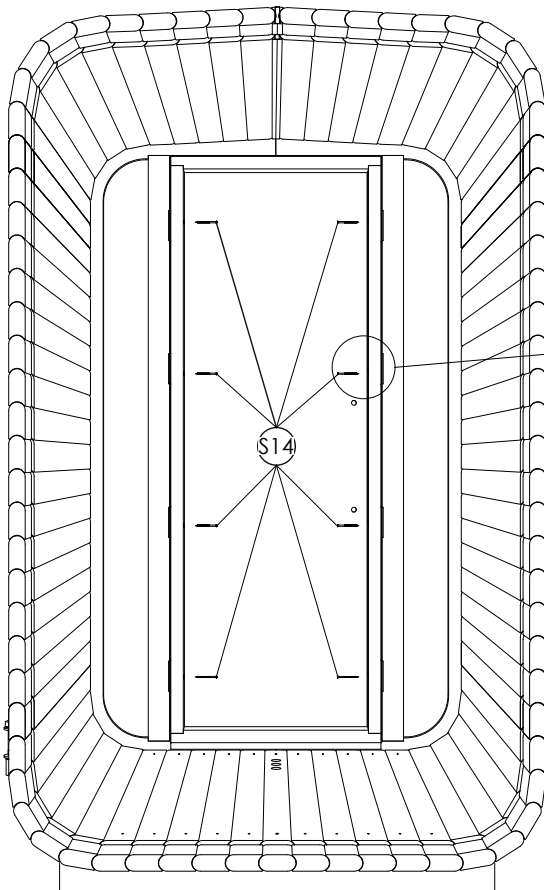
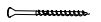
Use a level



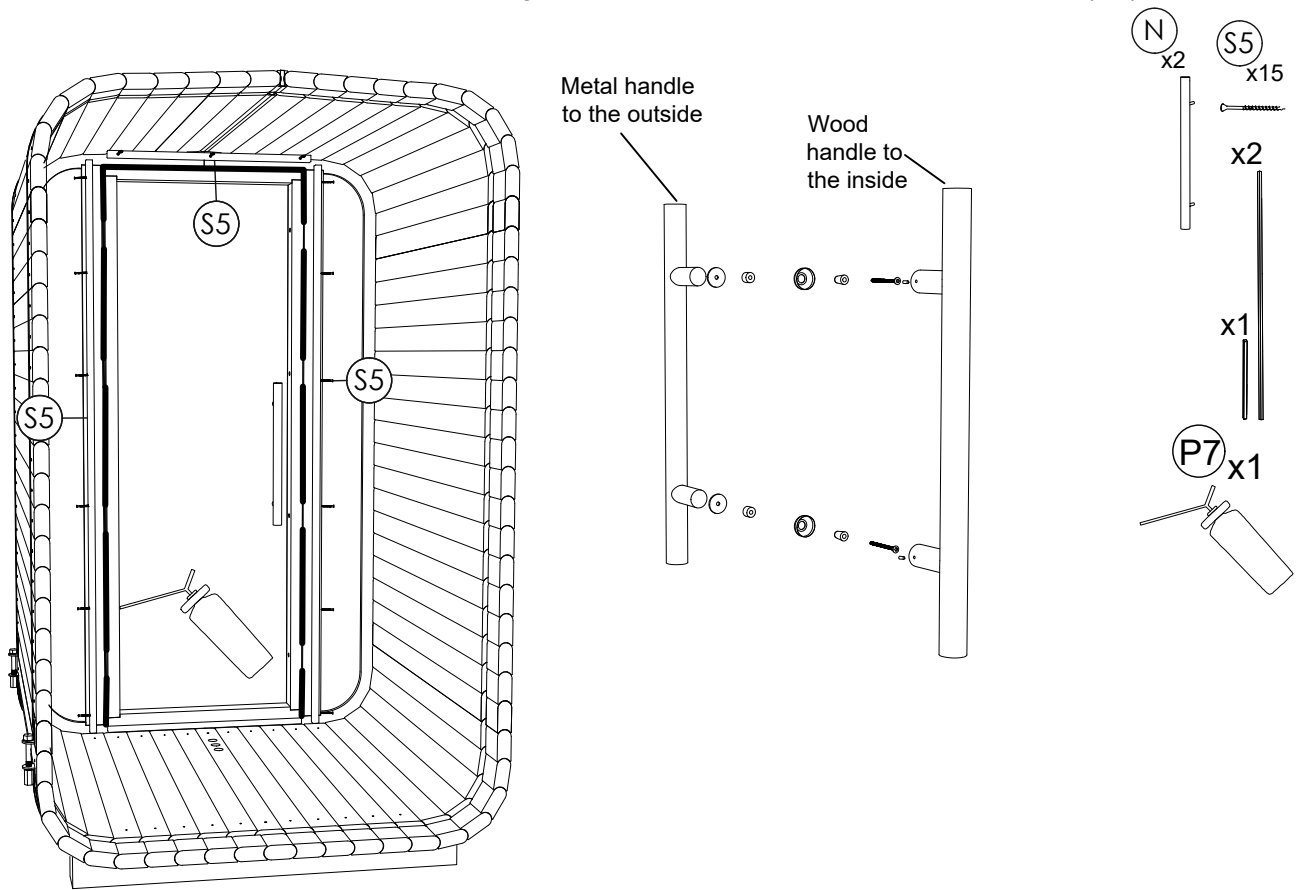
STEP 18: Fix one side of the door box with screws (S14) slightly to the outside through spacers. Then put spacers in other side. Combine spacers for necessary width. Spacers must fit tightly, they can't slip down before door is fixed with screws. Use screws (S14) to fix doors. Check door box, both sides should be straight, they must not be bent inwards or outwards.

S14
x8

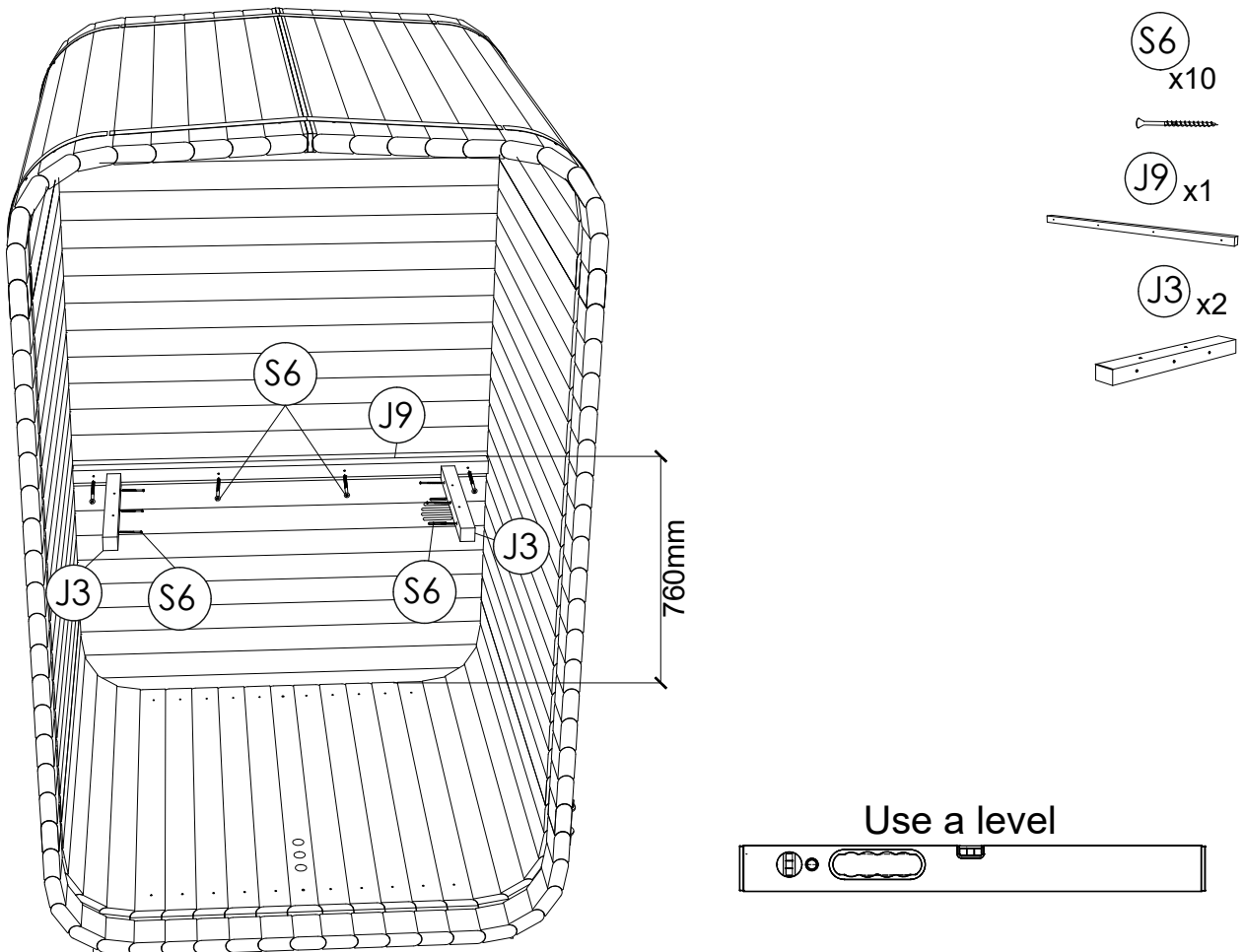
Use a level



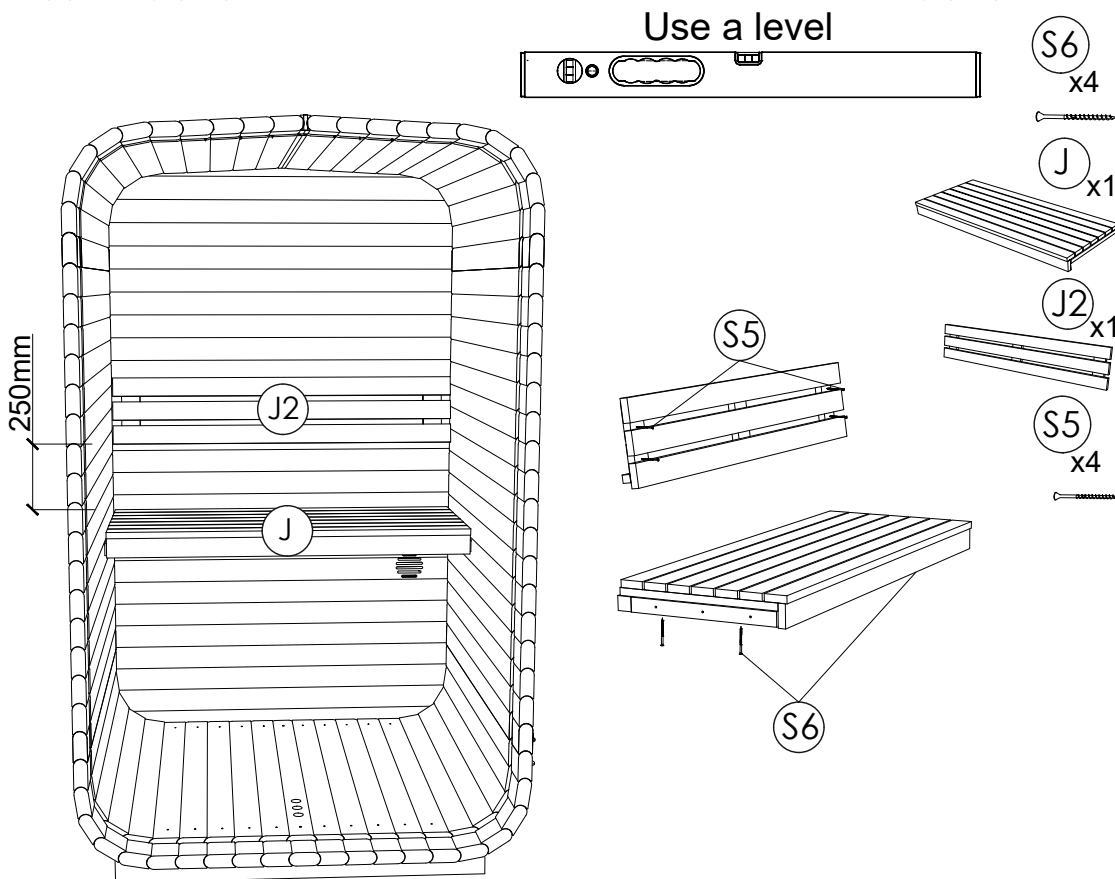
STEP 19: Use spray foam around door box. Let the spray foam dry. The excess amount will come off easily if you don't touch it while it's wet. Fix door moldings to both sides and on top of the door with (S5) screws.



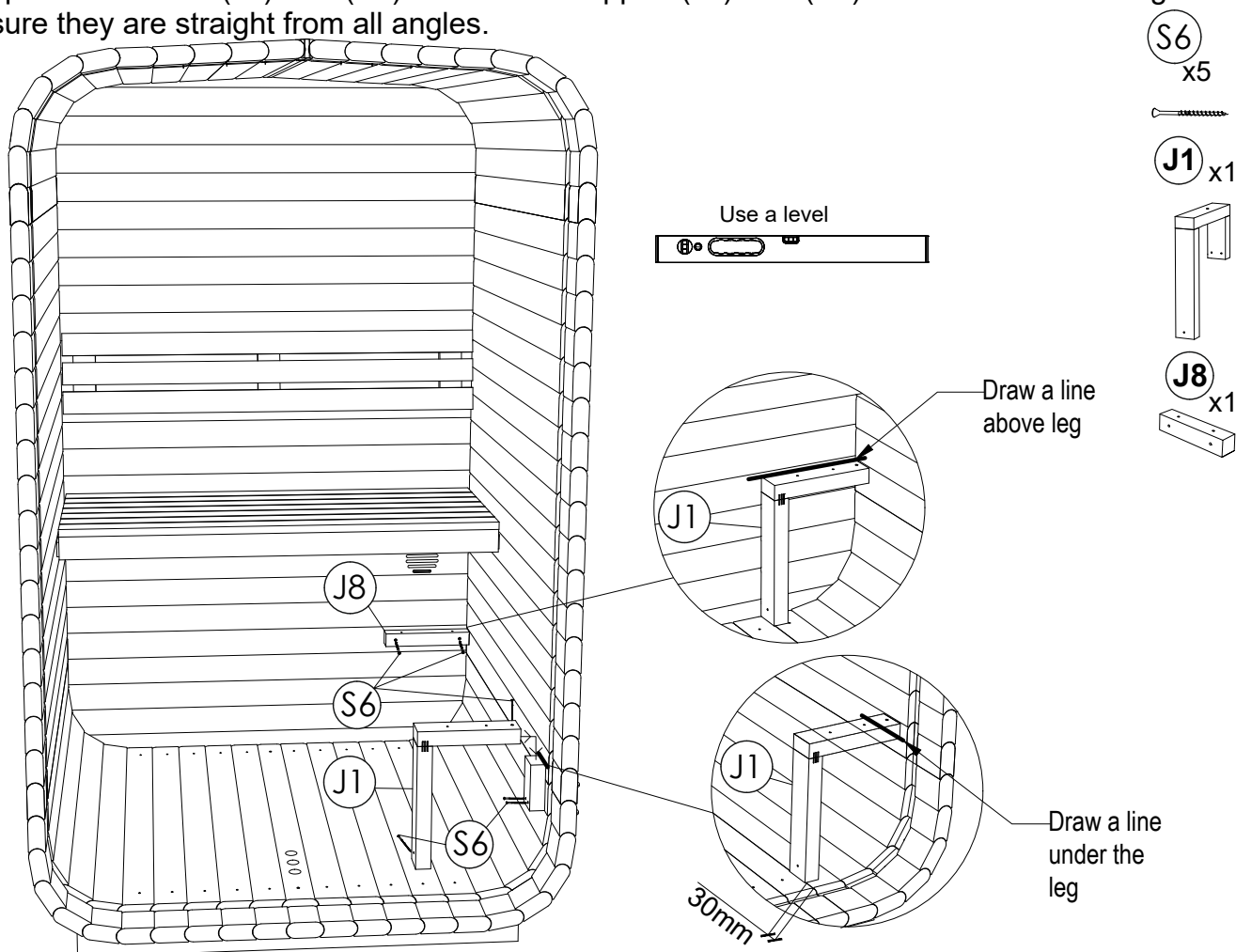
STEP 20: Install bench supports (J9;J3) with (S6) screws. Take measurements as in the picture. Check the the supports to ensure they are straight from all angles.



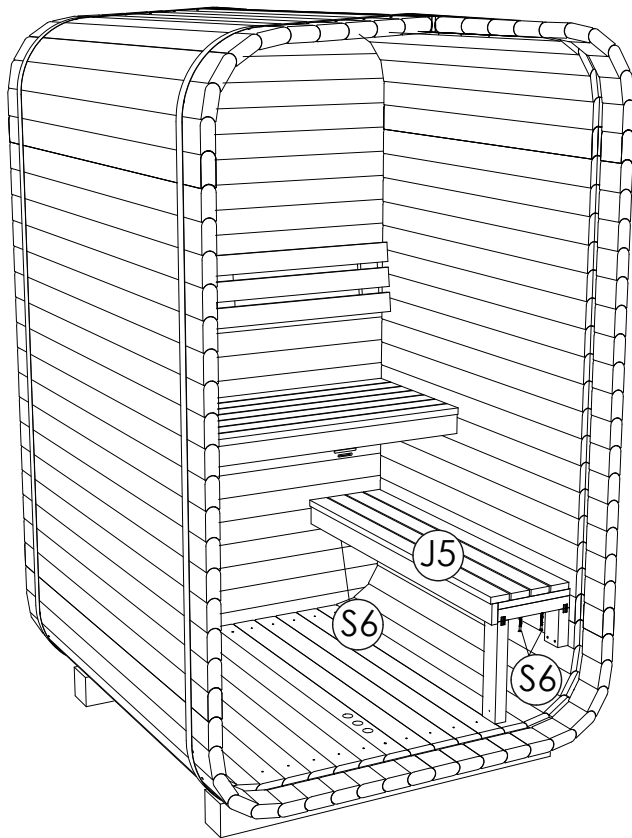
STEP 21: Fix bench (J) using (S6) screws. Fix backrest 250mm above bench using (S5) screws.



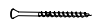
STEP 22: Put support leg (J1) on the back wall and draw a line for bench step support (J8) height. Put support leg (J1) 30mm from front wall and draw a line under leg upper part. Fix leg support then whole (J1) with (S6) screws. Fix support (J8) with (S6) screws. Check the legs to ensure they are straight from all angles.



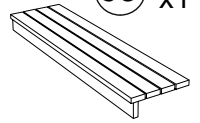
STEP 23: Fix step bench (J5) on top of the legs (J6) using (S6). Bench cross boards have to match the tops of the bench legs. Fix Bench step (J7) using (S6) screws.



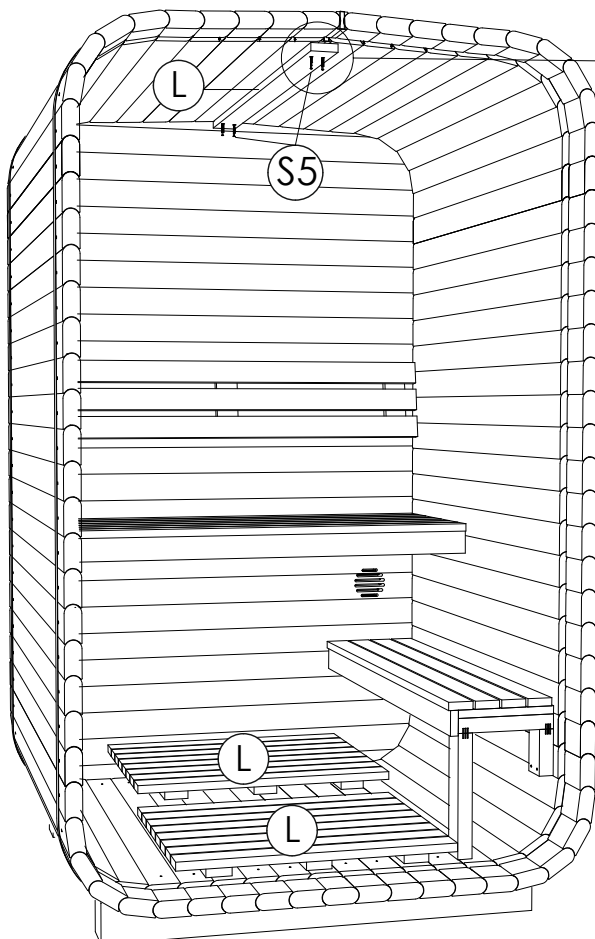
(S6) x4



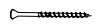
(J5) x1



STEP 24: Install the ceiling board (O) in the middle of the ceiling, pre-drill holes for screws (S5). Lay in sauna floor (L).



(S5) x4



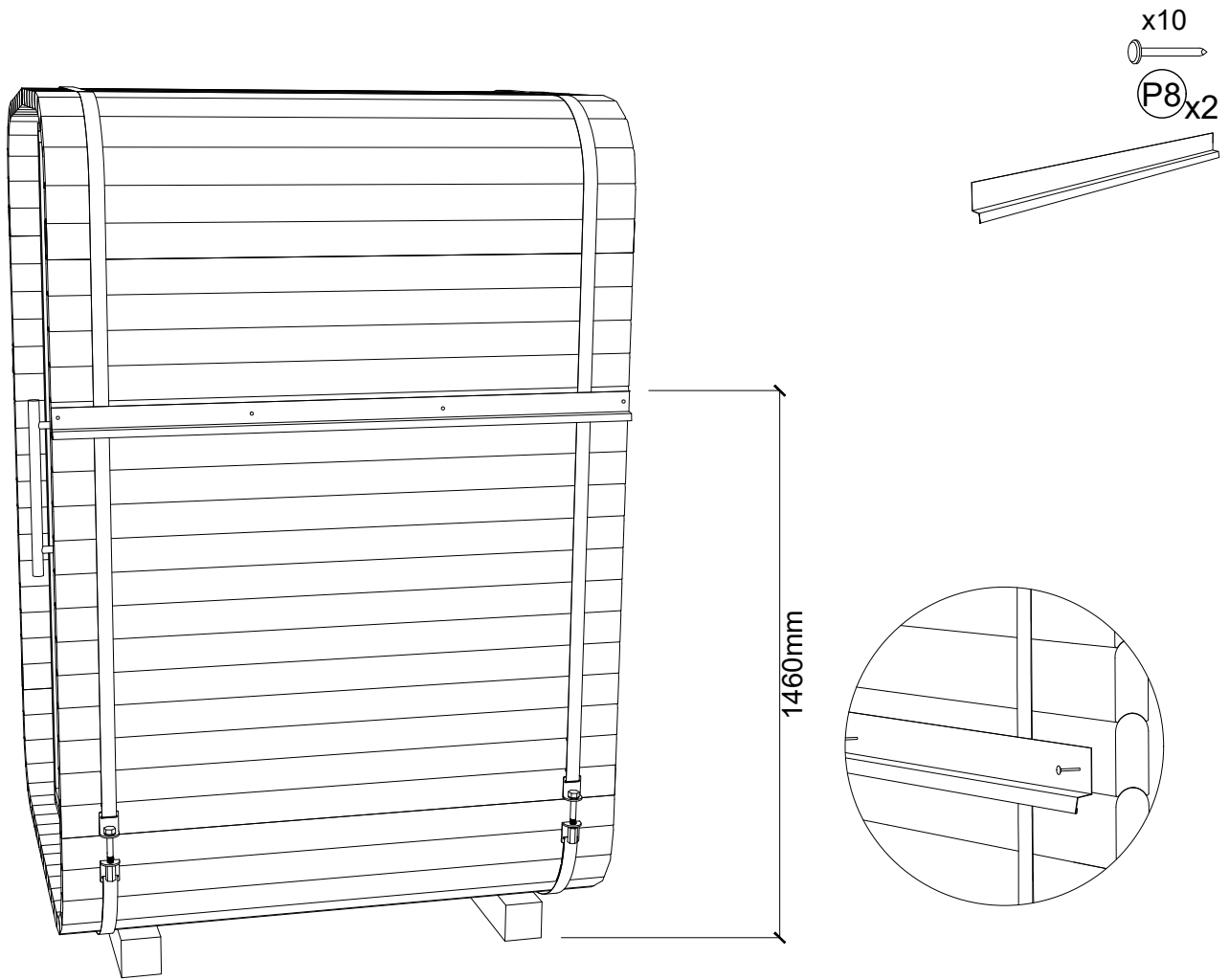
(O) x1



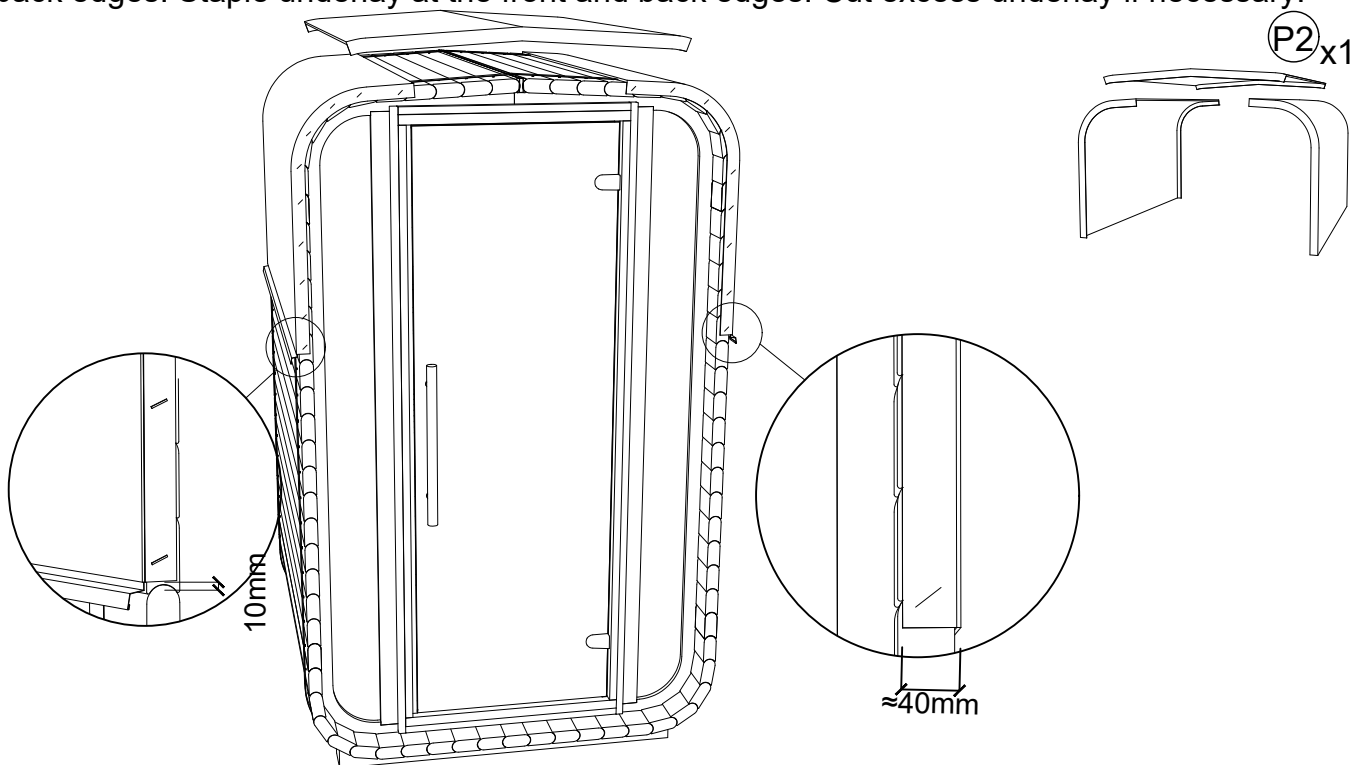
(L) x2



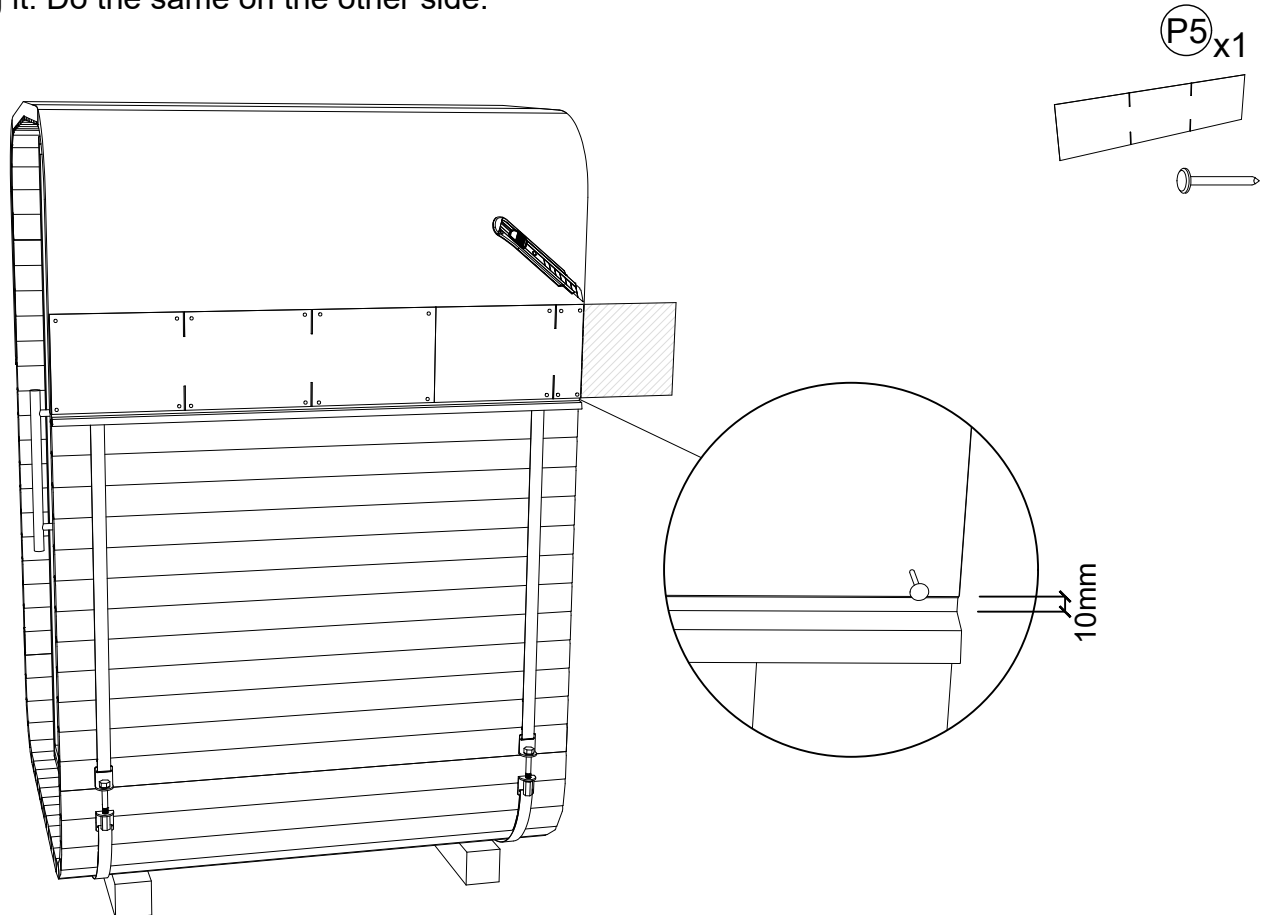
STEP 25: Place the rain droplet upper edge 1460mm from ground. Make sure it's leveled. Fix it on both sides with shingle nails.



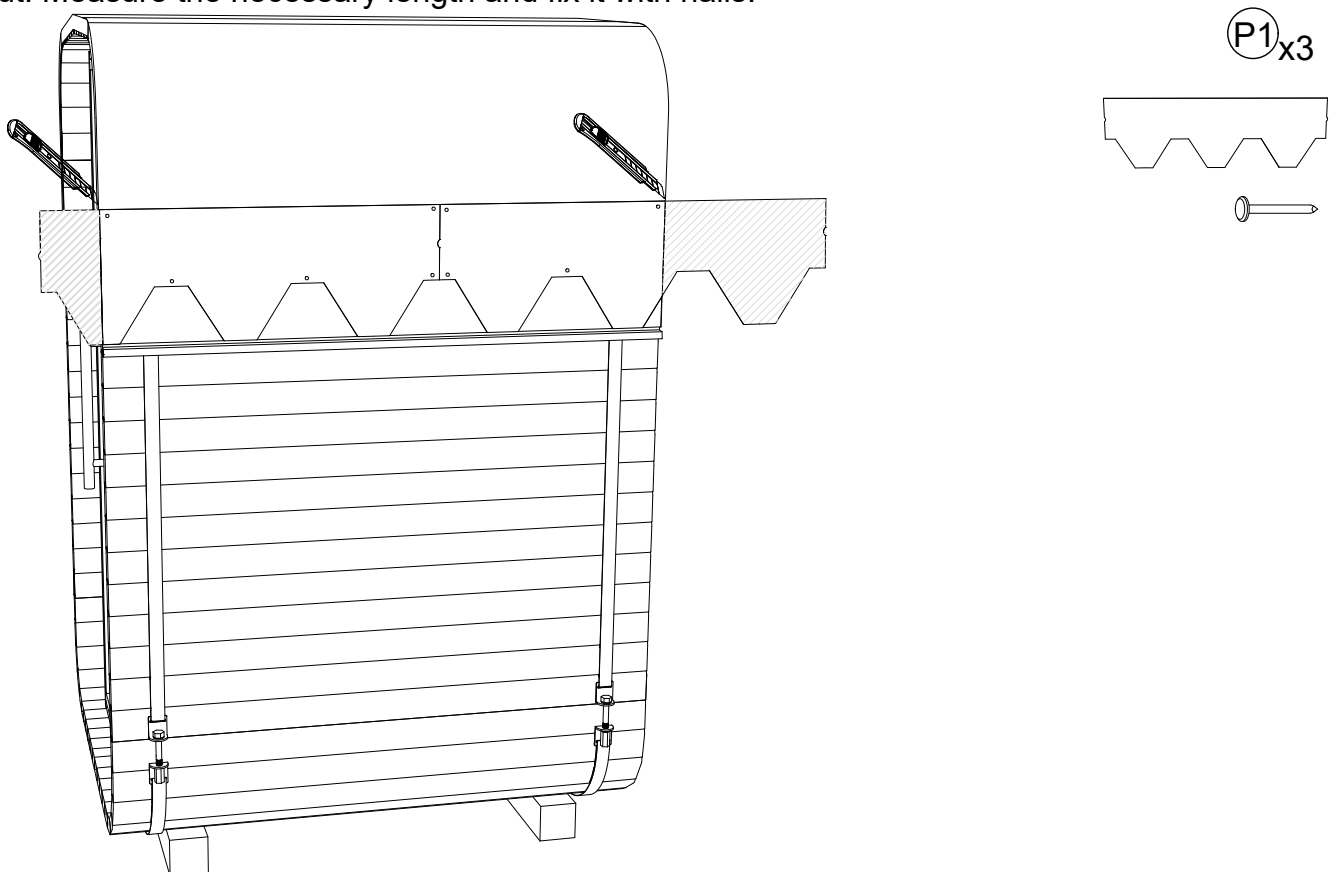
STEP 26: Lay out underlay on both sides first. Then lay middle part on top of the roof, that it is evenly placed and covers both underlay sheets. Leave about 40mm over the front and back edges. Staple underlay at the front and back edges. Cut excess underlay if necessary.



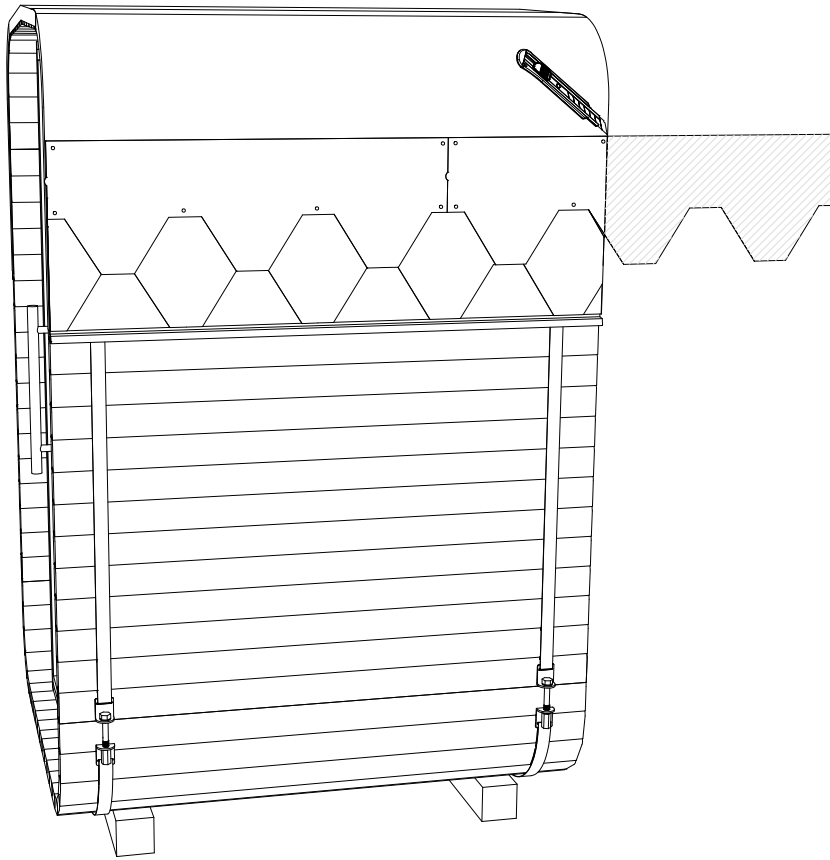
STEP 27: Remove protective film from the bottom of the sheet. Place starting shingles next to each other. Then fix with nails as in picture. Cut excess part of the starting shingle before nailing it. Do the same on the other side.



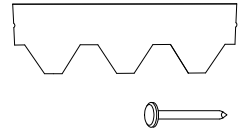
STEP 28: For 1st shingle cut off the half of hexagonal part. Remove protective film from the bottom of the sheet. Start placing shingles over starting shingles. Fix 2nd shingle needs to be cut. Measure the necessary length and fix it with nails.



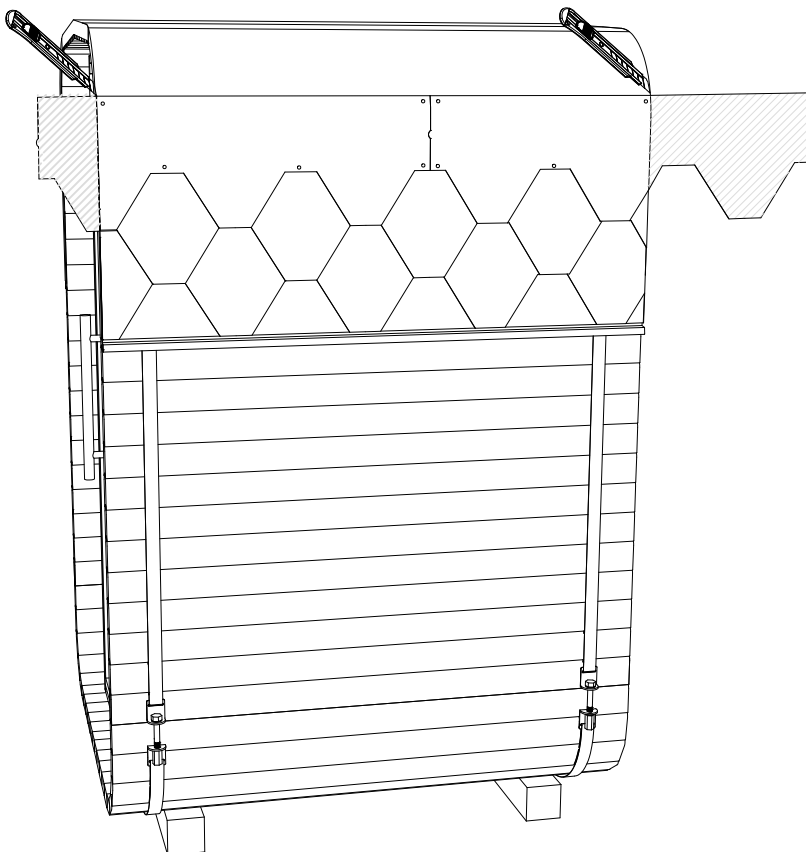
STEP 29: Remove the protective film from the bottom of the sheet. The second row starts with the whole shingle, fix it with shingle nails. Last shingle needs to be cut by measured length.



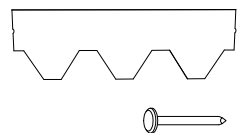
(P1)x3



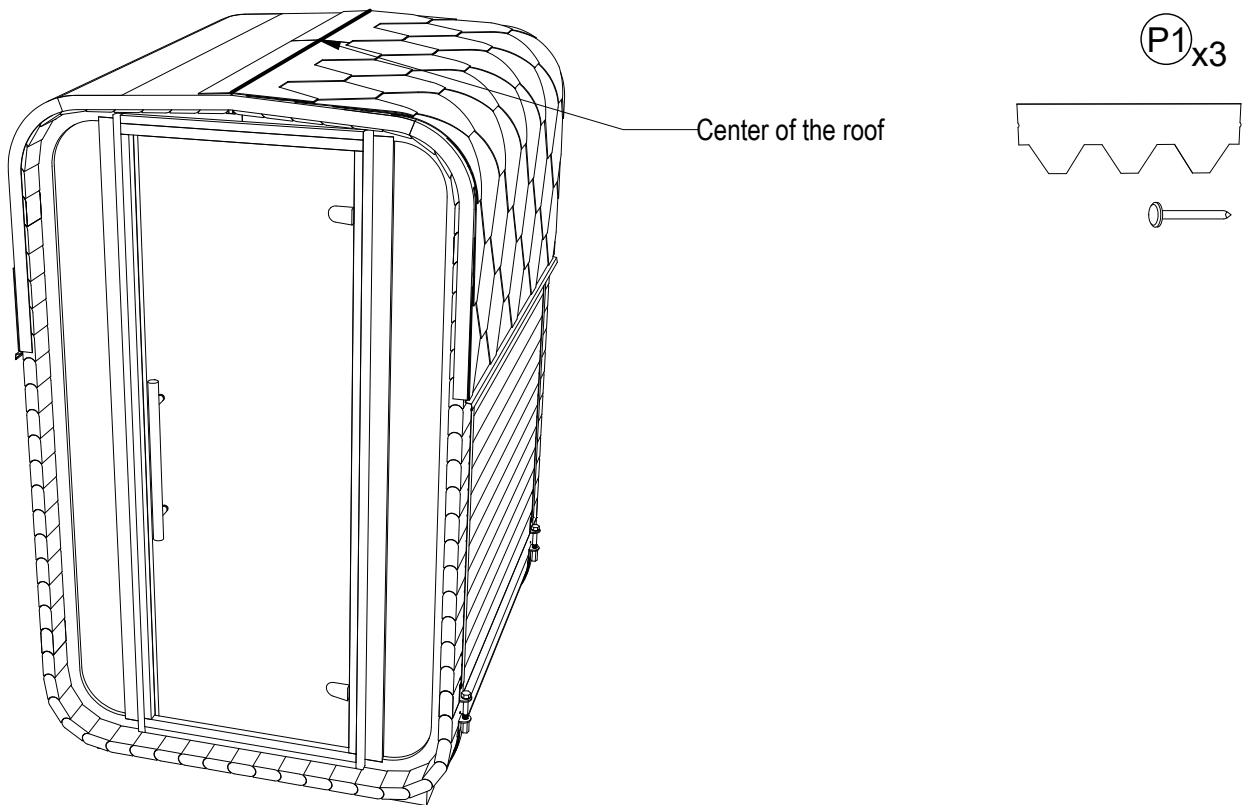
STEP 30: Third row goes exactly like first row. Cut half of hexagonal part from shingle and fix it with shingle nails. Remove protective film from the bottom of the sheet.



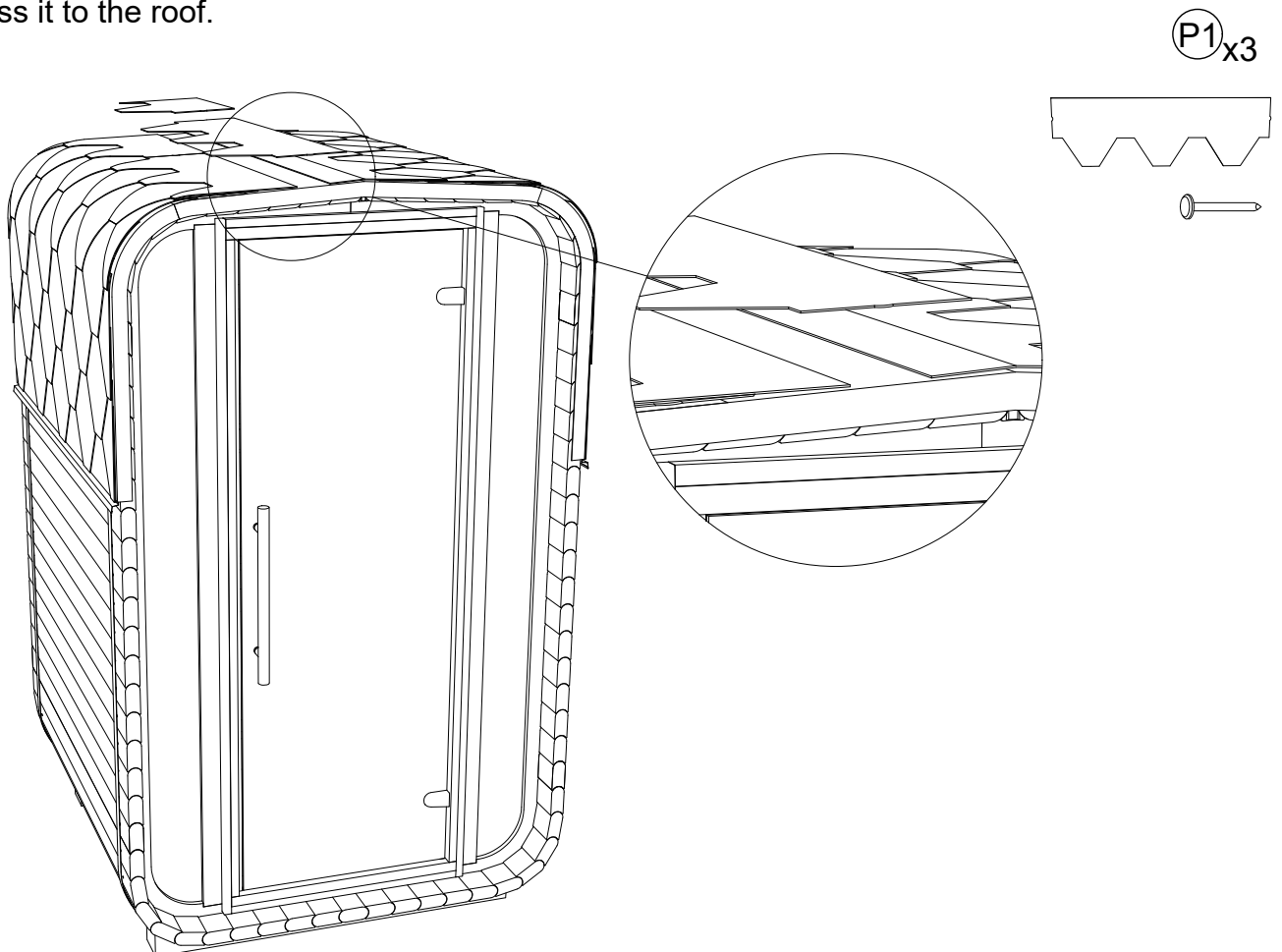
(P1)x3



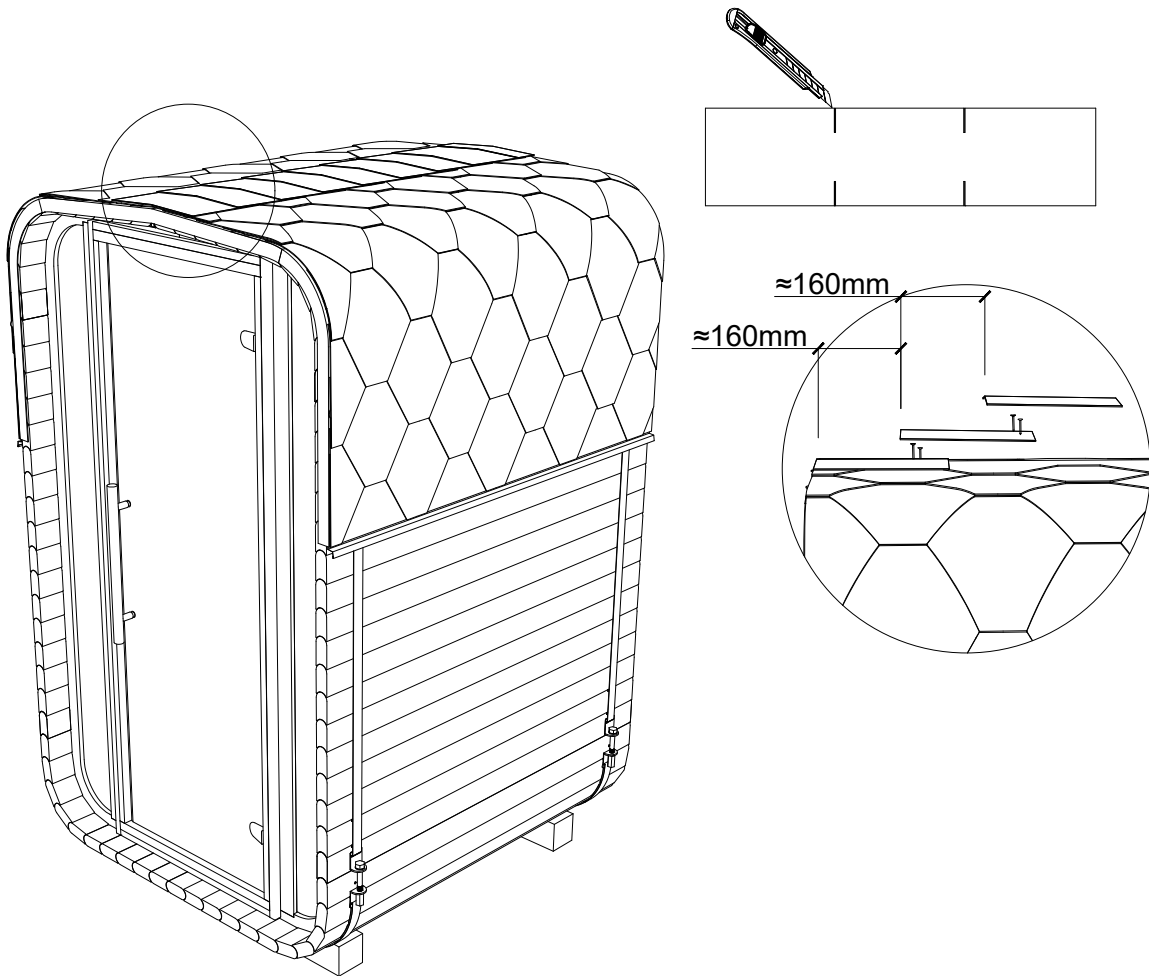
STEP 31: Keep placing shingles till last layer goes over the middle of the roof.



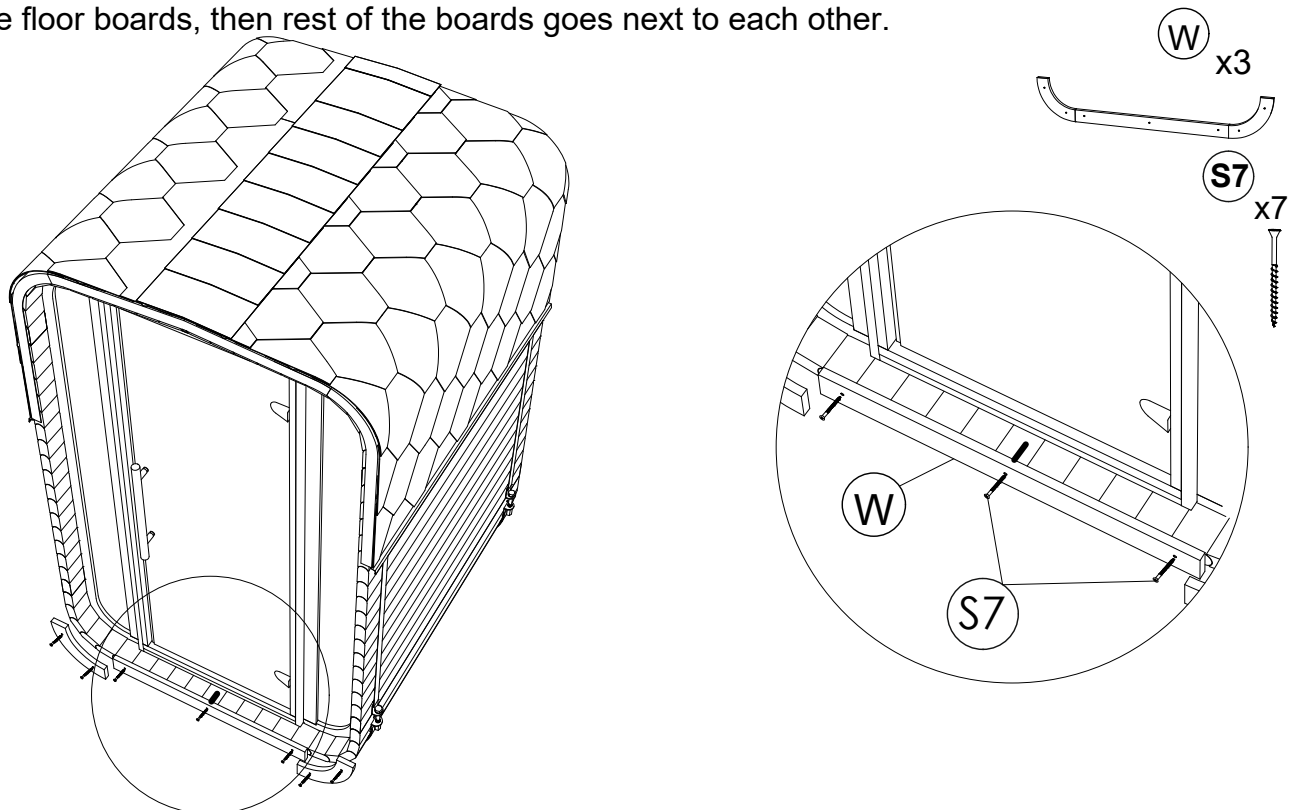
STEP 32: Repeat same steps for other side, till last layer goes over middle of the roof. Use heat source for better adhesion. Lift every rectangle, heat a bit with some heat source and press it to the roof.



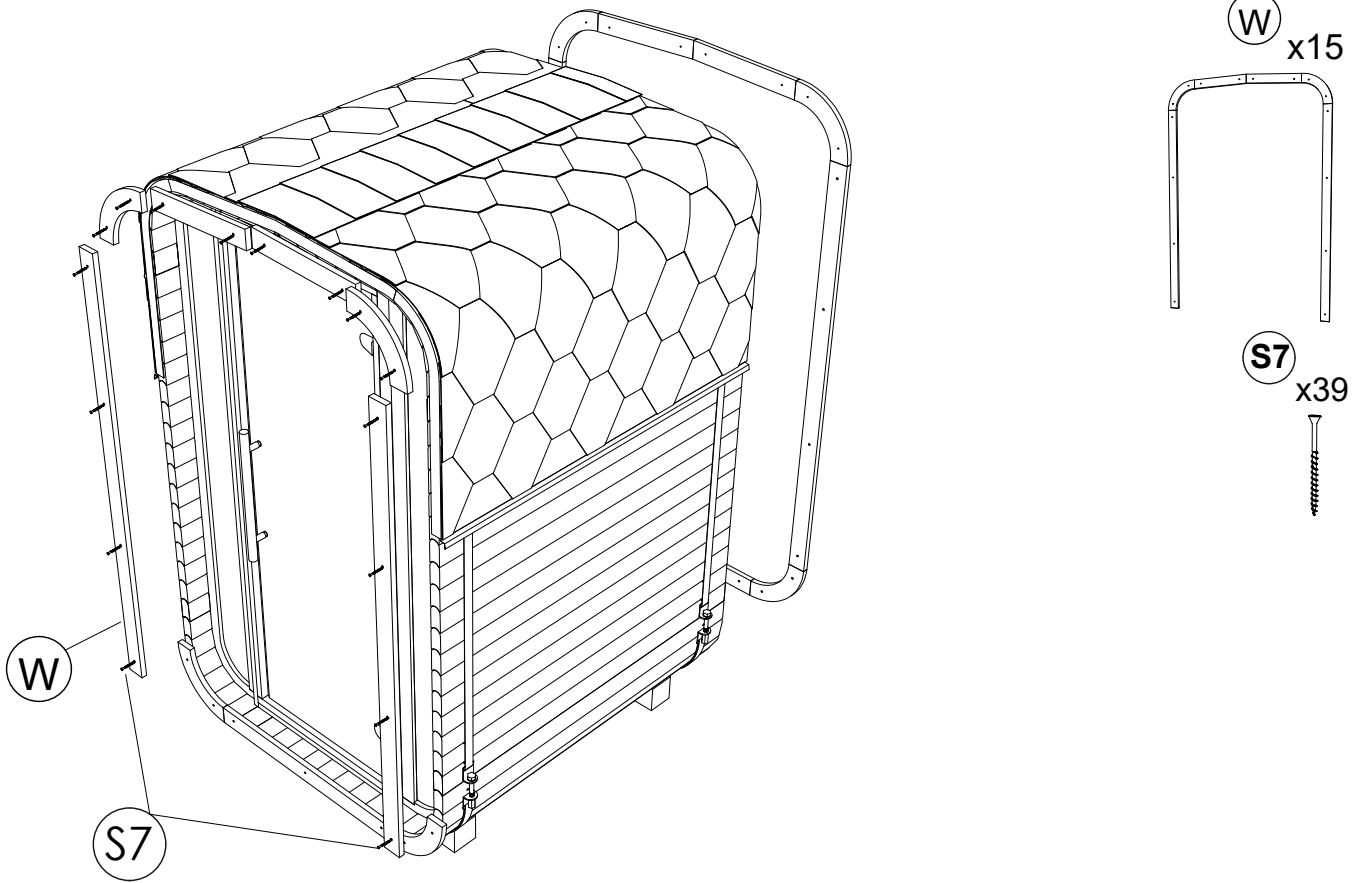
STEP 33: For top of the roof use starting shingles. Cut some shingles in squares, there are marked lines. Take off protective film. Nail each shingle with two nails. Next shingle goes about 160mm over previous. After it's done, use heat source for better adhesion.



STEP 34: Install front and back decorative roof finishing boards(W) using (S7) screws. Start by fixing one bottom board. Draw a center line put board exactly in the middle. Fix it about 5mm above floor boards, then rest of the boards goes next to each other.



STEP 35: Finish front decorative boards. Make sure they are in line. The same steps apply for back side.



STEP 36: Use bitumen sealant behind decorative boards to fill gap between shingles and boards at the front and back side.

