

HARVIA CILINDRO

HPCE900400M

The Harvia Cilindro Black Steel (PC 70 E & PC 90 E) heaters contain a massive amount of stones that provide soft yet strong heat. The Pillar design distributes heat evenly thanks to the large stone surface. The heaters impressive look is highlighted by stylish black steel color that provides a modern touch for your sauna.

Advantages

- Contains massive amount of stones that provides soft yet strong heat
- Stylish black steel color provides a modern touch for your sauna
- Fits into various types of sauna interiors and installations
- Heater is minimalistic and discreet when embedded in the sauna bench
- Requires a separate control unit (sold individually)



Features

Main material : Steel

H x W x D : 930.0 x 320.0 x 320.0 mm

Net weight (kg) : 7.9

Installation location : Floor

ID	GTIN	Output (kW)	Sauna room size min - max m3
HPCE900400M	6417659026062	9 kW	8.0-14.0

Related products



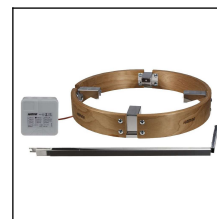
HPC1



HPC2



HPC3



HPC3L



HPC2L

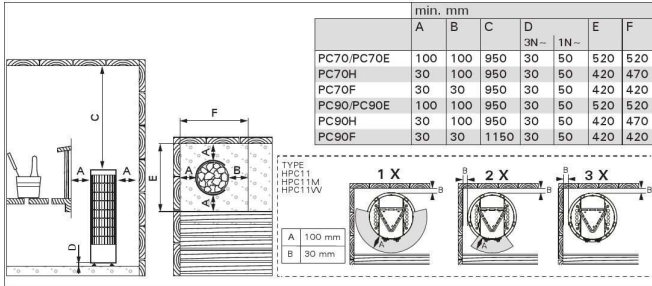
Spare parts

Product	ID	Pcs
Heating element 3000W/230V	ZSE-259	3
Adjustable leg	ZSA-440	
Installation kit PC70E/PC90E	ZSC-124	
Support plate for heating elements	ZSC-140	
Support plate middle	SPZSC-140	
Heating element 3000W 230V	SPZSE-259	3
Adjusting leg M10x60 x 4 pcs, floor mounted heaters	SPZSA-442	1

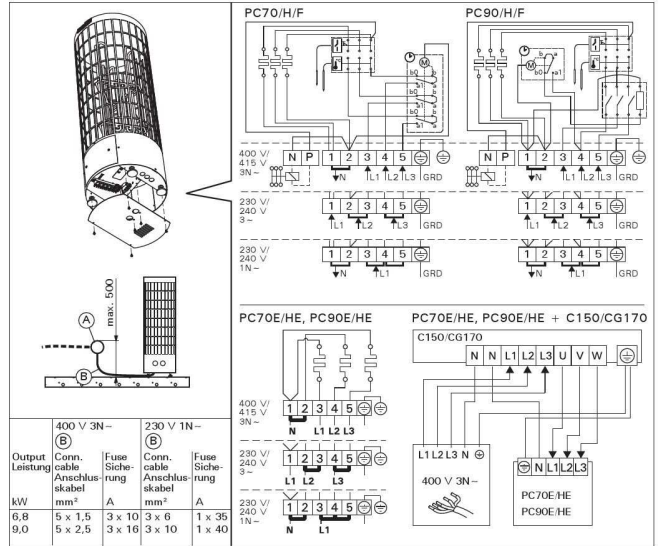
Technical details

Technical data	Type / attribute	HPCE900400M
	Color	Black Steel
	Power output	9 kW
	Stone sizes	Ø5–10 cm
	Stone amount (kg)	90
Dimensions	Product width	320
	Product height	930
	Product depth (mm)	320
	Net weight (kg)	7.9
	Gross weight	9.3
	Package width	330
	Package height	975
	Package depth	330
Safety and installation dimensions	Safety distance front (non-combustible materials)	100
	Safety distance front (combustible materials)	100
	Safety distance right side (combustible materials)	100
	Safety distance right side non-combustible materials	100
	Safety distance left side (combustible materials)	100
	Safety distance left side non-combustible materials	100
	Safety distance side (non-combustible materials)	100
	safety distance to the side wall (combustible materials)	100
	Safety distance behind (non-combustible materials)	100
	Safety distance behind (combustible materials)	100
	Safety distance (Ceiling)	950
	Room min. height(depends on connections and therefore from output, star/delta)	1900
	Installation opening height	1900
	Installation opening width	560
Installation opening depth	520	

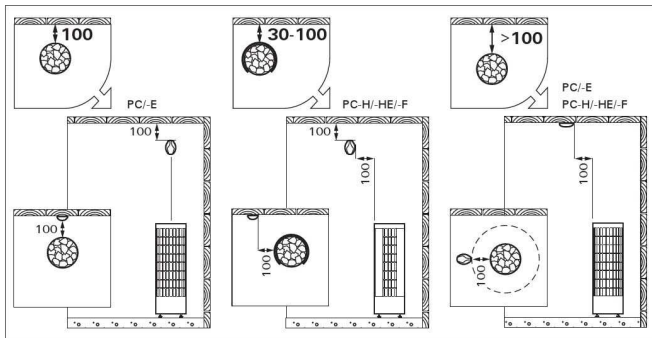
Technical images



Safety distances (all dimensions in millimeters)



Electrical connections



Installing the sensor (all dimensions in millimeters)