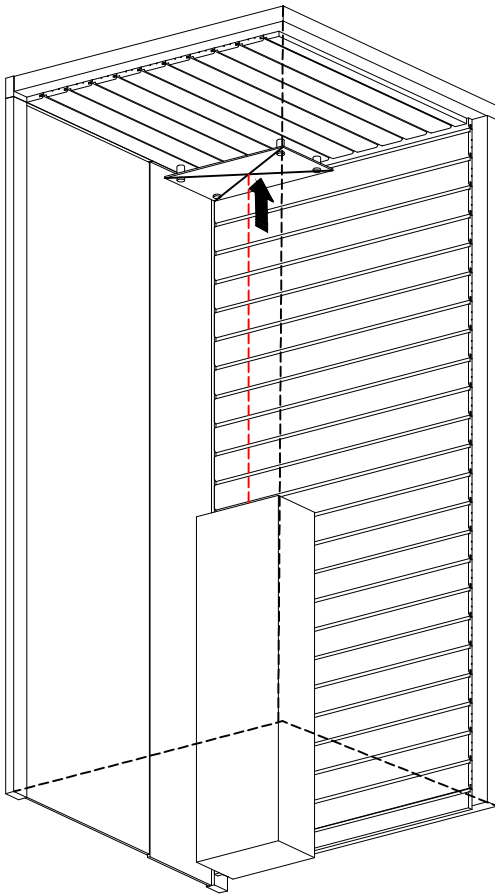


Ceiling Heat Shield

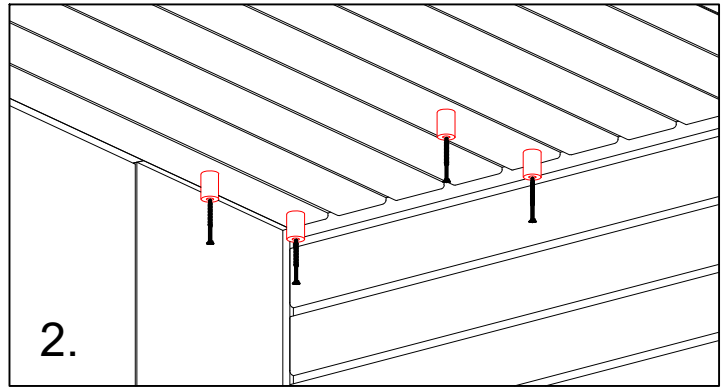
Heat shield installation required with Huum heaters: Cliff Mini and Steel Mini

1. The heat shield should be installed directly above the heater to the ceiling.
2. Attach the mounting bracket to the ceiling with screws.
3. Put the heat shield in place.
4. Secure the heat shield using bolts.

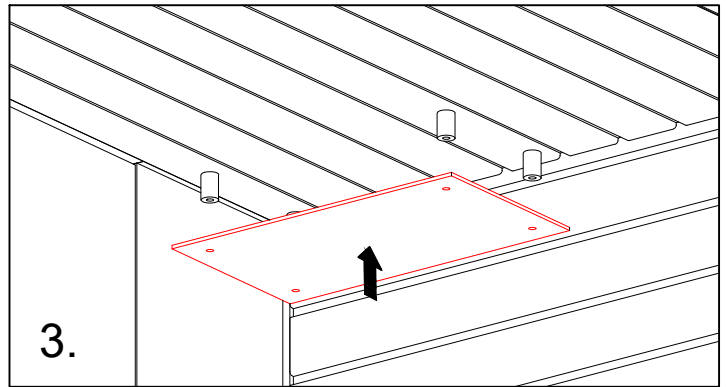
1.



2.



3.



4.

